

Flange nut, T-bolt

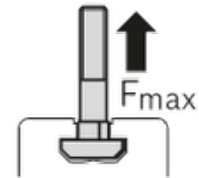


- Secure, conductive connection
- Notch at bolt end as marker for identifying correct position
- Profile finishing: not required

Technical data

	Material
Flange nut 8 mm slot M6	Galvanized steel
Flange nut 10 mm slot M8	
T-bolt M6x16	
T-bolt M6x20	
T-bolt M6x25	
T-bolt M8x20	
T-bolt M8x25	
T-bolt M8x30	
T-bolt M8x40	
T-bolt M8x50	
T-bolt M8x60	
T-bolt M8x45	

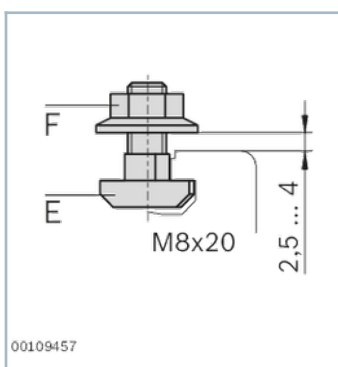
Nut	
8	4000 N
10	6000 ... 18000 N ¹⁾



1) Depending on the profile

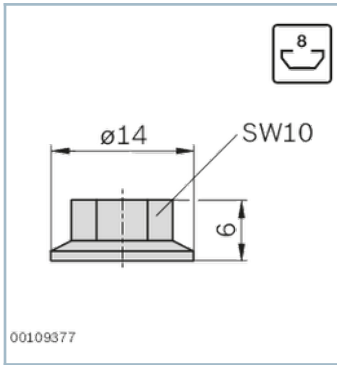
Dimensions

T-bolt M8x20 and flange nut M8

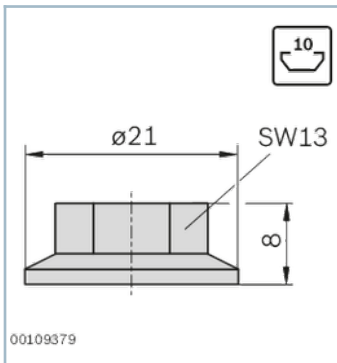


- 1) E = T-bolt M8x20
- 2) F = flange nut M8

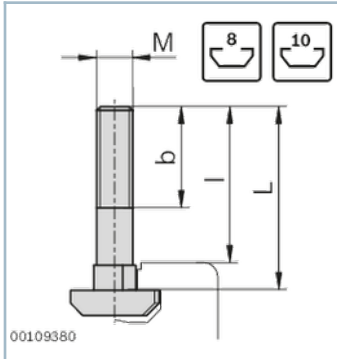
Flange nut 8 mm slot








Flange nut 10 mm slot












T-bolt



Ordering codes

	Groove	M	b	l		ESD	No.
			mm	mm			
Flange nut 8 mm slot M6	8	M6			100		3842523925
Flange nut 10 mm slot M8	10	M8			100		3842345081
T-bolt M6x16	8	M6x16	10	14	100		3842523920
T-bolt M6x20	8	M6x20	14	18	100		3842523921

	Groove	M	b	l		ESD	No.
			mm	mm			
T-bolt M6x25	8	M6x25	18	23	100		3842523922
T-bolt M8x20	10	M8x20	14	14	100		3842528715
T-bolt M8x25	10	M8x25	19	19	100		3842528718
T-bolt M8x30	10	M8x30	24	24	100		3842528721
T-bolt M8x40	10	M8x40	22	34	100		3842528724
T-bolt M8x50	10	M8x50	22	44	100		3842528727
T-bolt M8x60	10	M8x60	22	54	100		3842528730
T-bolt M8x45	10	M8x45	22	39	100		3842563312