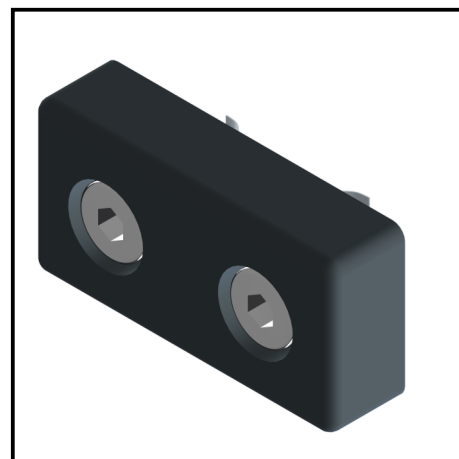
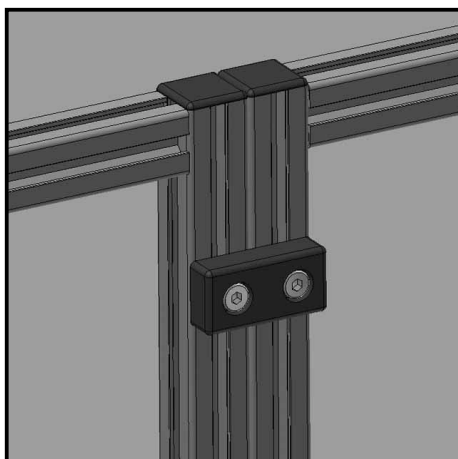
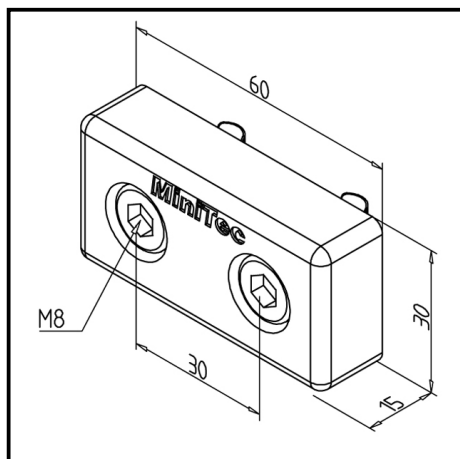


## CONNECTING PLATE 30 X 60

Article Nr. 21.2113/0

[See the product on the website](#) →

[Download CAD Files](#) →



### TECHN. DATA / ITEMS SUPPLIED

- Aluminium, Pressure die-casting, powder-coated, grey
- With fastening material steel, zinc plated
- Conductive version Art. no. 21.2113/6
- Weight = 0.085 kg/piece

### APPLICATIONS

- Connection of two guards without gap
- Strengthening of guard units
- Connection of pre-assembled modules

### ASSEMBLY

- Install to groove of guard unit and posts with supplied hardware