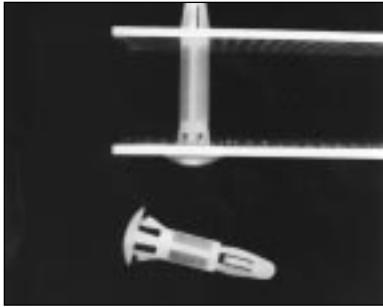
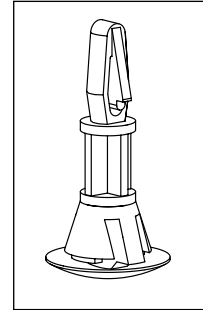
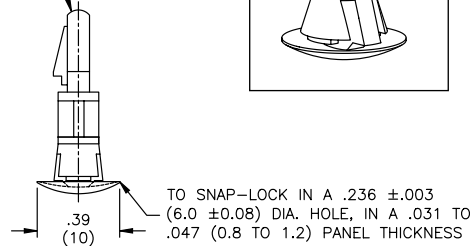
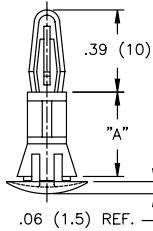


CRLCBSR Series

Cupped Reverse Locking Circuit Board Support, Round Hole



TO SNAP-LOCK IN A $.157 \pm .003$ (4.0 ± 0.08) DIA. HOLE, IN A $.063$ (1.6) NOMINAL THICK BOARD



Material: Nylon 6/6, RMS-01
Color: Natural

Part No.	Standard Pack:
	1000 per bag
CRLCBSR-3-01	3/16 (4.8)
CRLCBSR-4-01	1/4 (6.4)
CRLCBSR-5-01	5/16 (7.9)
CRLCBSR-6-01	3/8 (9.5)
CRLCBSR-8-01	1/2 (12.7)
CRLCBSR-12-01	3/4 (19.1)

Part available in V-0 material by special order. To order, replace -01 with -19.

Part available in black by special order. To order, use part number CRLCBSR-XX-XX-B.

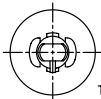
Features

- Cupped head provides tight holding in a chassis with a wide tolerance

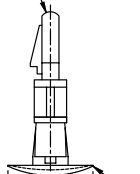
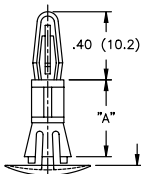
A

CRLCBSRE Series

Cupped Reverse Lock Circuit Board Support, Round Hole



TO SNAP-LOCK IN A $.157 \pm .003$ (4.0 ± 0.08) DIA. HOLE, IN A $.063$ (1.6) NOMINAL THICK BOARD



TO SNAP-LOCK IN A $.213 \pm .003$ (5.4 ± 0.08) DIA. HOLE, IN A $.047$ TO $.079$ (1.2 TO 2.0) PANEL THICKNESS

Material: Nylon 6/6, RMS-01
Color: Natural

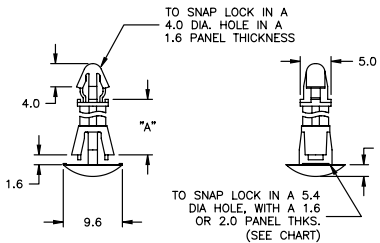
Part No.	Standard Pack:
	1000 per bag
CRLCBSRE-4-01	1/4 (6.4)
CRLCBSRE-6-01	3/8 (9.5)
CRLCBSRE-8-01	1/2 (12.7)
CRLCBSRE-10-01	5/8 (15.9)

Part available in V-0 material by special order. To order, replace -01 with -19.

Part available in black by special order. To order, use part number CRLCBSRE-XX-XX-B.

RLCBSK/RLCBSK2 Series

Reverse Locking Circuit Board Support, Pronged Round Hole - Metric

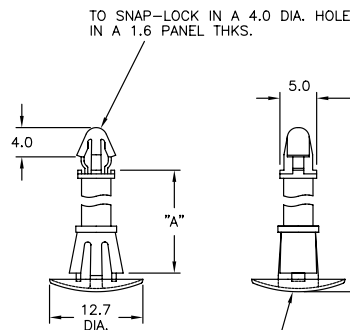


Material: Nylon 6/6, RMS-01
Color: Natural

Part No.	Standard Pack:
	1000 per bag
Panel 1.6 mm	"A" ± 0.4 mm
RLCBSK-6-01	6.0 mm
RLCBSK-8-01	8.0 mm
RLCBSK-10-01	10.0 mm
RLCBSK-12-01	12.0 mm
Panel 2.0 mm	"A" ± 0.4 mm
RLCBSK-2-6-01	6.0 mm
RLCBSK-2-8-01	8.0 mm
RLCBSK-2-10-01	10.0 mm
RLCBSK-2-12-01	12.0 mm

CRLCBSK-2 Series

Cupped Reverse Locking Circuit Board Support Metric



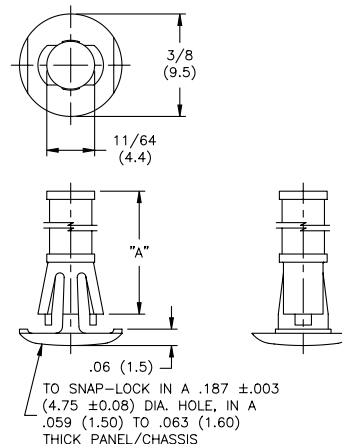
Material: Nylon 6/6, RMS-01
Color: Natural

Part No.	Standard Pack:
	1000 per bag
CRLCBSK-2-8-01	8 mm
CRLCBSK-2-10-01	10 mm
CRLCBSK-2-12-01	12 mm
CRLCBSK-2-14-01	14 mm

Part available in V-0 material by special order. To order, replace -01 with -19.

RLCBSRS Series

Reverse Locking Circuit Board Support, Round Hole Standoff



Material: Nylon 6/6, RMS-01
Color: Natural

Part No.	Standard Pack:
	1000 per bag
RLCBSRS-4-01	1/4 (6.4)
RLCBSRS-5-01	5/16 (7.9)
RLCBSRS-6-01	3/8 (9.5)
RLCBSRS-7-01	7/16 (11.1)
RLCBSRS-8-01	1/2 (12.7)
RLCBSRS-9-01	9/16 (14.3)
RLCBSRS-10-01	5/8 (15.9)

Part available in V-0 material by special order. To order, replace -01 with -19.

Features

- Supports heavy loaded PC boards; often used with Richco RLCBSR Series