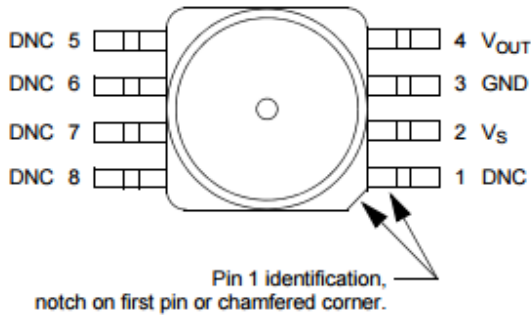
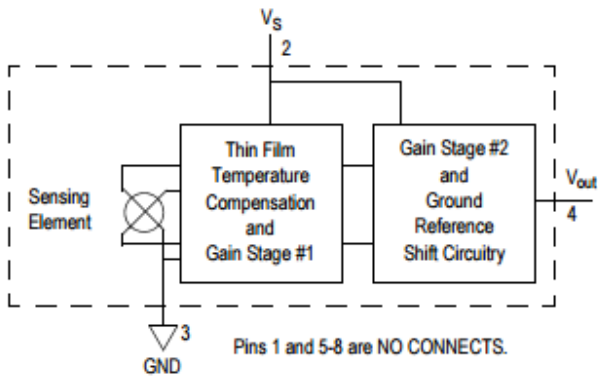


The pin description of the MPXV5050GC6U is as follows:

- 1 – DNC
- 2 – V_S
- 3 – GND
- 4 – V_{OUT}
- 5 – DNC
- 6 – DNC
- 7 – DNC
- 8 – DNC



Pin	Name	Function
1	DNC	Do not connect to external circuitry or ground. Pin 1 is notated by the notch in the lead or chamfered corner.
2	V_S	Voltage supply
3	GND	Ground
4	V_{OUT}	Output voltage
5	DNC	Do not connect to external circuitry or ground.
6	DNC	Do not connect to external circuitry or ground.
7	DNC	Do not connect to external circuitry or ground.
8	DNC	Do not connect to external circuitry or ground.