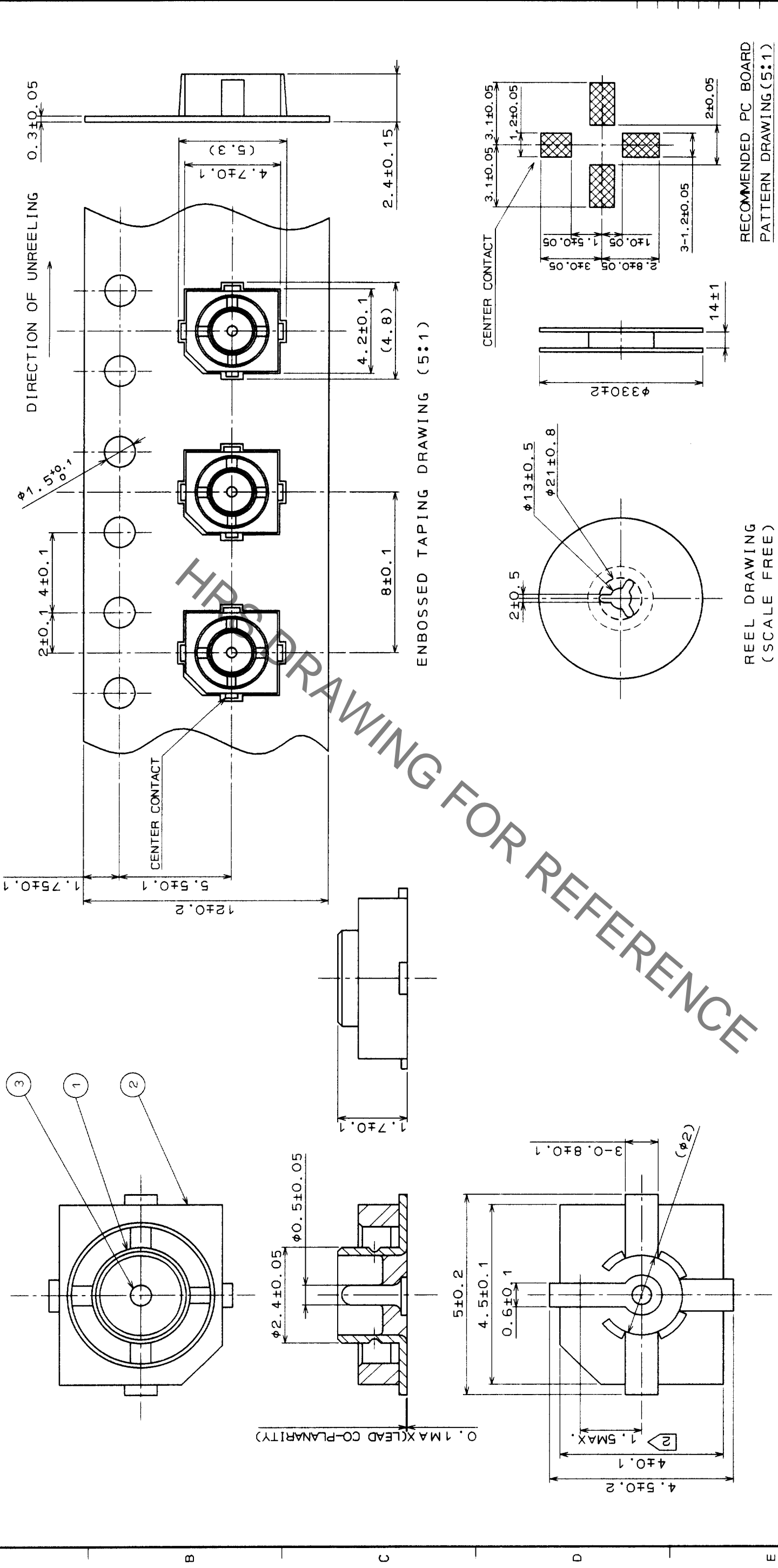


In case of consideration for using Automotive equipment / device which demand high reliability, kindly contact our sales window correspondents.

Sep.1.2019 Copyright 2019 HIROSE ELECTRIC CO., LTD. All Rights Reserved.

NO.	DESCRIPTION OF REVISIONS	BY	CHKD	DATE	COUNT	DESCRIPTION OF REVISIONS	BY	CHKD	DATE



NO.	MATERIAL	FINISH, REMARKS	NO.	MATERIAL	FINISH, REMARKS
2	LCP	(BRACK), UL94V-0	3	BRASS	GOLD PLATED
1	PHOSPHOR BRONZE	SILVER PLATED			

CODE NO. (OLD)	CL	DRAWN	DESIGNED	CHECKED	APPROVED	RELEASED
		M. EZAKI	M. NAGASHIMA	I. MITANI	F. KOBAYASHI	

DRAWING NAME	DRAWING NO.	PART NO.
DRAWING FOR APPROVAL	EDC3-46538-10	H.F.L-R-SMT(10)

SCALE	UNITS	CODE NO.
10:1	mm	CL331-0521-6-10

REEL DRAWING (SCALE FREE)  
 RECOMMENDED PC BOARD PATTERN DRAWING(5:1)

NOTE 1 THE QUANTITY OF H.F.L-R-SMT(10) IS 2500 CONNECTORS PER REEL.  
 NOTE 2 THIS DIMENSION SHOWS THE ALLOWABLE RANGE THAT THE RESIN IS PUT OVER THE CENTER CONTACT.

TO RF USA