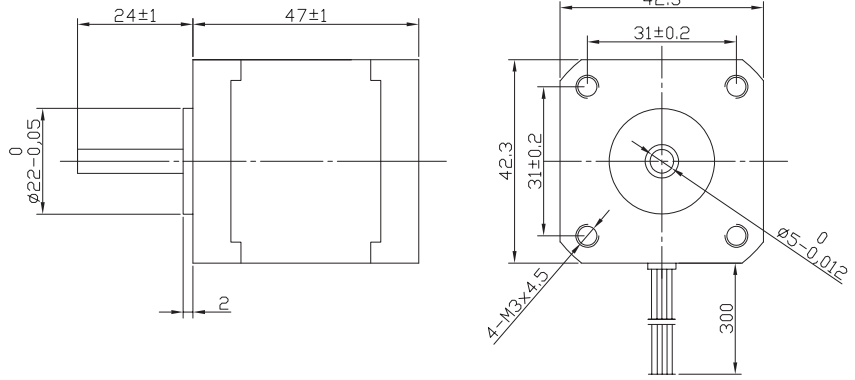


# 42SH47

High Torque Hybrid  
42MM 1,8°



Dimensions in mm.

## Characteristics

**STEP ANGLE**  
1,8°

**STEP ANGLE ACCURACY**  
± 5%

**INSULATION CLASS**  
B

**AMBIENT TEMPERATURE**  
-20°C +50°C

**TEMP. RISE**  
80°C MAX (RATED CURRENT, 2 PHASE ON)

**INSULATION RESISTANCE**  
100 M OHM MIN. 500 VDC

**DIELECTRIC STRENGTH**  
500 VAC FOR ONE MINUTE

**SHAFT RADIAL PLAY**  
0,02 MAX (450 G LOAD)

**SHAFT AXIAL PLAY**  
0,08 MAX. (450 G LOAD)

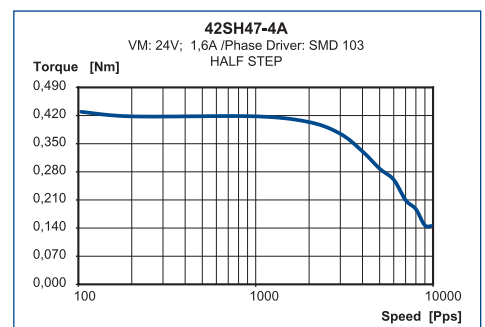
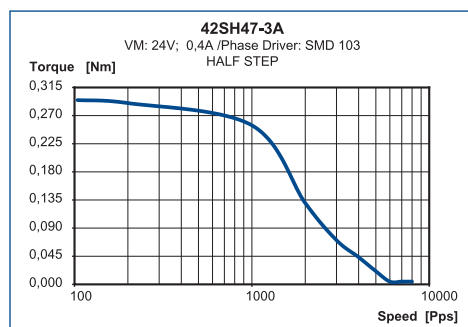
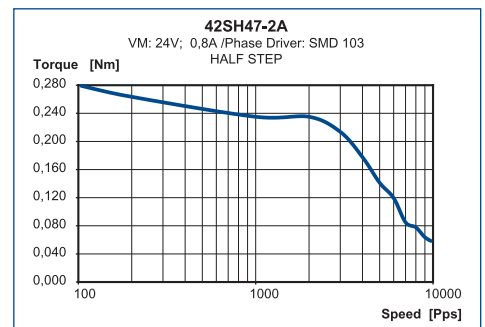
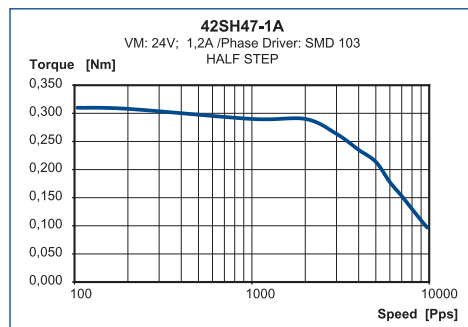
**MAX RADIAL FORCE**  
28 N (20 MM FROM FRONT FLANGE)

**MAX AXIAL FORCE**  
10 N

## Specifications

MODEL		42SH47-1A	42SH47-2A	42SH47-3A	42SH47-4A	
<b>1</b>	<b>RATED VOLTAGE</b>	<b>V</b>	4	6	12	2,8
<b>2</b>	<b>CURRENT/PHASE</b>	<b>A</b>	1,2	0,8	0,4	1,68
<b>3</b>	<b>RESISTANCE/PHASE</b>	<b>Ω</b>	3,3	7,5	30	1,65
<b>4</b>	<b>INDUCTANCE/PHASE</b>	<b>mH</b>	2,8	6,3	25	2,8
<b>5</b>	<b>HOLDING TORQUE</b>	<b>NM</b>	0,317	0,317	0,317	0,44
<b>6</b>	<b>ROTOR INERTIA</b>	<b>g-cm<sup>2</sup></b>	68	68	68	68
<b>7</b>	<b>WEIGHT</b>	<b>Kg</b>	0,35	0,35	0,35	0,35
<b>8</b>	<b>NUMBER OF LEADS</b>	<b>N°</b>	6	6	6	4

## Speed vs. Torque Characteristics



## Connection

LEAD N°	COLOR	GAUGE	FUNCTION
<b>1</b>	BLACK	UL1007 AWG24	PHASE A
<b>2</b>	GREEN	UL1007 AWG24	PHASE A-
<b>3</b>	RED	UL1007 AWG24	PHASE B
<b>4</b>	BLUE	UL1007 AWG24	PHASE B-
UNIPOLAR MOTOR			
<b>5</b>	YELLOW	UL1007 AWG24	COM PHASE A
<b>6</b>	WHITE	UL1007 AWG24	COM PHASE B