

Housing - HC-STA-D07-CHWSCF-1TGM25-PL-BK - 1419262

Please be informed that the data shown in this PDF Document is generated from our Online Catalog. Please find the complete data in the user's documentation. Our General Terms of Use for Downloads are valid (<http://phoenixcontact.com/download>)



Coupling housings D7, with single locking latch, material: PA, protective cover material: PA, cable outlets: 1, straight, height: 60.5 mm, cable gland: with, support sleeve: no, 1x M25, protective cover: yes, Standard, for socket inserts



Key Commercial Data

Packing unit	1 pc
GTIN	
GTIN	4055626160139
Weight per Piece (excluding packing)	40.420 g
Custom tariff number	85389099
Country of origin	China

Technical data

Dimensions

Height	60.5 mm
Width	26.5 mm
Length	26.5 mm
External cable diameter	10 mm ... 16 mm

Ambient conditions

Degree of protection (IP)	IP66 (when plugged in or with locked protective cover)
Ambient temperature (operation)	-40 °C ... 125 °C

General

Note	for contact inserts HC-A03, A04, D07, D08, Q02, Q03, Q04, Q05, Q07, Q12
Size	D7
Housing type	Coupling housings
Color	black
Locking type	with single locking latch

Housing - HC-STA-D07-CHWSCF-1TGM25-PL-BK - 1419262

Technical data

General

No. of cable outlets	1
Cable outlet	straight
Screw connection	with
Type of the screw connection	1x M25
Protective cover	yes
Housing material	PA
Material lock	PA
Material, protective cover	PA
Flammability rating according to UL 94	V0 (Housing)
	V0 (Interlock)
	V0 (Protective cover)

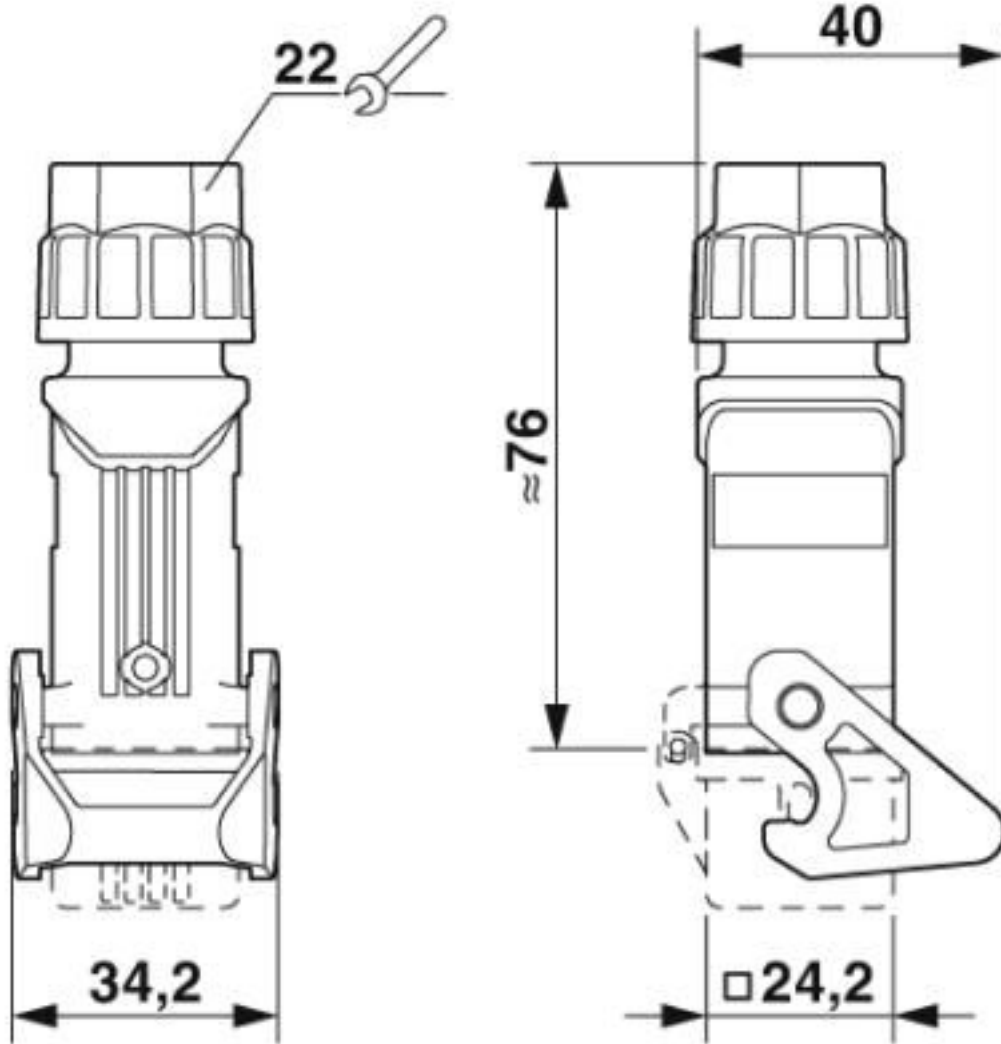
Environmental Product Compliance

REACH SVHC	Lead 7439-92-1
China RoHS	Environmentally Friendly Use Period = 50 years
	For details about hazardous substances go to tab "Downloads", Category "Manufacturer's declaration"

Drawings

Housing - HC-STA-D07-CHWSCF-1TGM25-PL-BK - 1419262

Dimensional drawing



Dimensional drawing

Classifications

eCl@ss

eCl@ss 10.0.1	27440202
eCl@ss 5.1	27261200
eCl@ss 6.0	27261200
eCl@ss 7.0	27440202
eCl@ss 8.0	27440202
eCl@ss 9.0	27440202

ETIM

ETIM 5.0	EC000437
----------	----------

Housing - HC-STA-D07-CHWSCF-1TGM25-PL-BK - 1419262

Classifications

ETIM

ETIM 6.0	EC000437
ETIM 7.0	EC000437

UNSPSC

UNSPSC 13.2	31261501
UNSPSC 18.0	31261501
UNSPSC 19.0	31261501
UNSPSC 20.0	31261501
UNSPSC 21.0	31261501

Approvals

Approvals

Approvals

EAC / DNV GL

Ex Approvals

Approval details

EAC		RU C- DE.AI30.B.01102
-----	--	--------------------------

DNV GL		https://approvalfinder.dnvgl.com/	TAE000037S
--------	--	---	------------

Accessories

Accessories

Housing latches

Housing brackets - HC-D07-SL-PLBK - 1424440



Replacement latch for HC-D7 housing

Housing - HC-STA-D07-CHWSCF-1TGM25-PL-BK - 1419262

Accessories

Labeled device marker

Plastic label - US-EMLP (20X9) CUS - 0830085



Plastic label, can be ordered: by card, white, labeled according to customer specifications, mounting type: adhesive, lettering field size: 20 x 9 mm, Number of individual labels: 75

Phoenix Contact 2020 © - all rights reserved
<http://www.phoenixcontact.com>