



FTS-I060F14A

T-Easic® FTS

FLOW SENSORS

SICK
Sensor Intelligence.



Illustration may differ



Ordering information

Type	Part no.
FTS-I060F14A	1091146

Other models and accessories → www.sick.com/T-Easic_FTS

Detailed technical data

Features

Measurement principle	Calorimetric measurement process
Medium	Water and oil-based liquids
Pipe diameters	≥ 25 mm ¹⁾
Operating range	3 cm/s ... 150 cm/s, Water 3 cm/s ... 300 cm/s, Oil
Process temperature	-40 °C ... +150 °C ²⁾
Process pressure	≤ 100 bar
Communication interface	IO-Link IO-Link V1.1 COM3 (230.4 kbit/s)
Temperature measurement	✓
Indication	✓ OLED + 3 status LEDs

¹⁾ Place probe tip in the center of the pipe to ensure the highest measurement accuracy.

²⁾ For medium temperatures above 100 °C, the distance between the lower side of the housing and the upper side of the mounting adapter must be at least 25 mm. The version with the special length of 60 mm cannot be used at a process temperature of over 100 °C.

Performance

Minimum flow velocity	≥ 3 cm/s, For water and oil
Maximum flow velocity	≤ 150 cm/s, For water
Inlet zone	5 x DN
Output zone	3 x DN
Accuracy of sensor element	± 10 % relative to measuring range end value ¹⁾

¹⁾ Under reference conditions with water, diameter of inner pipe 25 mm, vertical installation in pipe, probe tip in tube center, fully-filled pipe without air bubbles, speed from 10 cm/s to 100 cm/s, inlet zone > 30 cm, outlet zone > 30 cm, 26 °C ± 1 °C, 2 bar ± 1 bar.

²⁾ Filter off.

Reproducibility	< 1 cm/s ¹⁾
Resolution	0.01 m/s, Speed; 0.1 L/min volume; 0.1% relative (via IO-Link)
Response time	< 2.5 s ²⁾
Temperature measurement	
Resolution (Temperature)	< 0.1 °C
Response time (temperature)	< 6 s
Operating mode	Relative speed (%), Absolute speed, Absolute volume, Relative teach (%)

¹⁾ Under reference conditions with water, diameter of inner pipe 25 mm, vertical installation in pipe, probe tip in tube center, fully-filled pipe without air bubbles, speed from 10 cm/s to 100 cm/s, inlet zone > 30 cm, outlet zone > 30 cm, 26 °C ± 1 °C, 2 bar ± 1 bar.

²⁾ Filter off.

Electronics

Supply voltage	9 V DC ... 30 V DC ¹⁾
Power consumption	< 2 W at 24 V DC (without load on the outputs)
Initialization time	≤ 5 s ≤ 10 s (IO-Link)
Protection class	III
Connection type	M12 round connector x 1, 4-pin
Output signal	2 x push-pull digital outputs for flow and temperature (Q2 can be selected as digital input)
Output current	< 100 mA ²⁾
Signal voltage HIGH	> U _v - 2 V
Signal voltage LOW	≤ 2 V
Inductive load	1 H
Capacitive load	100 nF (2.5 nF, IO-Link mode)
EMC	EN 61326-1, EN 61326-2-3
Digital input limit	HIGH voltage dependent on U _v LOW voltage < 4.0 V
MTTF	> 200 years

¹⁾ All connections are reverse polarity and overload protected. Q1 and Q2 are short-circuit protected.

²⁾ Per output.

Mechanics

Process connection	Without process connection (adapter needed for installation)
Wetted parts	Stainless steel 1.4404 / 316L
Housing material	VISTAL® / polyester
Enclosure rating	IP67
Weight	74 g
Sealing material (only clamp adapter P/N 2093548)	FKM
Probe diameter	8 mm
Probe length	60 mm
Minimum immersion length	12 mm
Distance to pipe wall	10 mm

Ambient data

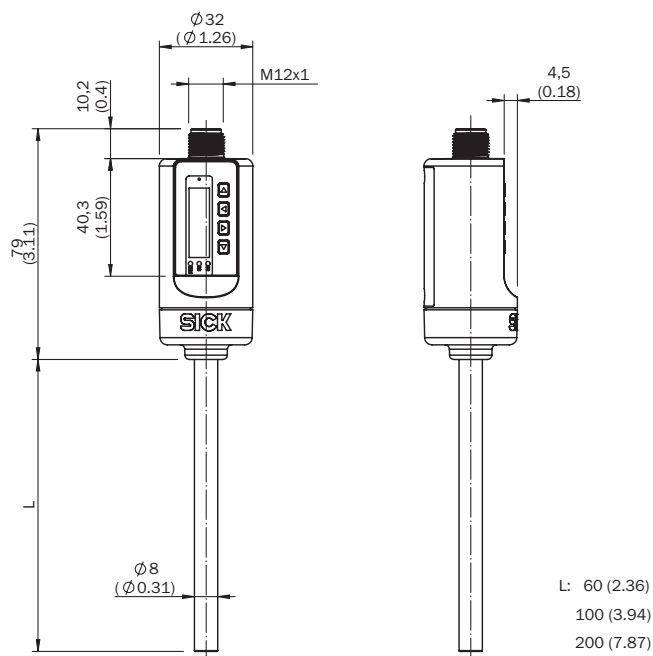
Ambient operating temperature	-40 °C ... +70 °C
Ambient storage temperature	-40 °C ... +80 °C

Classifications

ECl@ss 5.0	27273101
ECl@ss 5.1.4	27273101
ECl@ss 6.0	27273101
ECl@ss 6.2	27273101
ECl@ss 7.0	27273101
ECl@ss 8.0	27273101
ECl@ss 8.1	27273101
ECl@ss 9.0	27273101
ECl@ss 10.0	27273101
ECl@ss 11.0	27273101
ETIM 5.0	EC002580
ETIM 6.0	EC002580
ETIM 7.0	EC002580
UNSPSC 16.0901	41112501

Dimensional drawing (Dimensions in mm (inch))

FTS Industrial



Recommended services

Additional services → www.sick.com/T-Easic_FTS

	Type	Part no.
Function Block Factory	Function Block Factory	On request
<ul style="list-style-type: none"> Description: The Function Block Factory supports common programmable logic controllers (PLCs) from various manufacturers, such as Siemens, Beckhoff, Rockwell Automation and B&R. More information on the FBF can be found <a _blank"="" href="https://fbf.cloud.sick.com target=">here. 		

SICK AT A GLANCE

SICK is one of the leading manufacturers of intelligent sensors and sensor solutions for industrial applications. A unique range of products and services creates the perfect basis for controlling processes securely and efficiently, protecting individuals from accidents and preventing damage to the environment.

We have extensive experience in a wide range of industries and understand their processes and requirements. With intelligent sensors, we can deliver exactly what our customers need. In application centers in Europe, Asia and North America, system solutions are tested and optimized in accordance with customer specifications. All this makes us a reliable supplier and development partner.

Comprehensive services complete our offering: SICK LifeTime Services provide support throughout the machine life cycle and ensure safety and productivity.

For us, that is “Sensor Intelligence.”

WORLDWIDE PRESENCE:

Contacts and other locations –www.sick.com