



22MM METAL ROUND ACTUATOR: PUSHBUTTON LATCHING, UNLOCKING BY PRESSING AGAIN WITH FLAT BUTTON WITH HOLDER RED

Actuator / signaling device:		
Design of the product		Single device round
Design of the operating mechanism		Pushbutton
External diameter / of the activation element	mm	28.5
Type of unlocking device		push-to-unlatch mechanism
Color / of the activation element		Red
Material / of the activation element		plastic
Shape / of the activation element		Flat pushbutton
Number of switching positions		2
Product component / front ring		Yes
Material / of the front ring		metal
Color / of the front ring		silver
Design of front ring		Standard
Product function / EMERGENCY STOP function		No

General technical details:		
Resistance against shock		
<ul style="list-style-type: none"> • for devices without incandescent lamp / according to IEC 60068-2-27 		<= 50g
Resistance against vibration / according to IEC 60068-2-6		20 ... 200 Hz: 5g

Operating cycles / maximum	1/h	1,000
Mechanical operating cycles as operating time / typical		10,000,000
Product extension / optional / fluorescent materials		No
Item designation		
• according to DIN EN 61346-2		S
• according to DIN 40719 extendable after IEC 204-2 / according to IEC 750		S
Tightening torque / of the screws in the bracket / maximum	N-m	1
Ambient temperature		
• during operating	°C	-25 ... +70
• during storage	°C	-40 ... +80
Protection class IP		IP67
climatic class / during the operating phase / according to EN 60721		3K6
Type of mounting		front mounting
Shape / of the installation hole		round
Installation width	mm	28.5
Mounting diameter	mm	22
Mounting height	mm	14.5
Mounting depth	mm	29

Certificates/approvals:

General Product Approval



Test Certificates

[Special Test Certificate](#)

Shipping Approval



other

[Confirmation](#)

[other](#)



Further information:

Information- and Downloadcenter (Catalogs, Brochures,...)

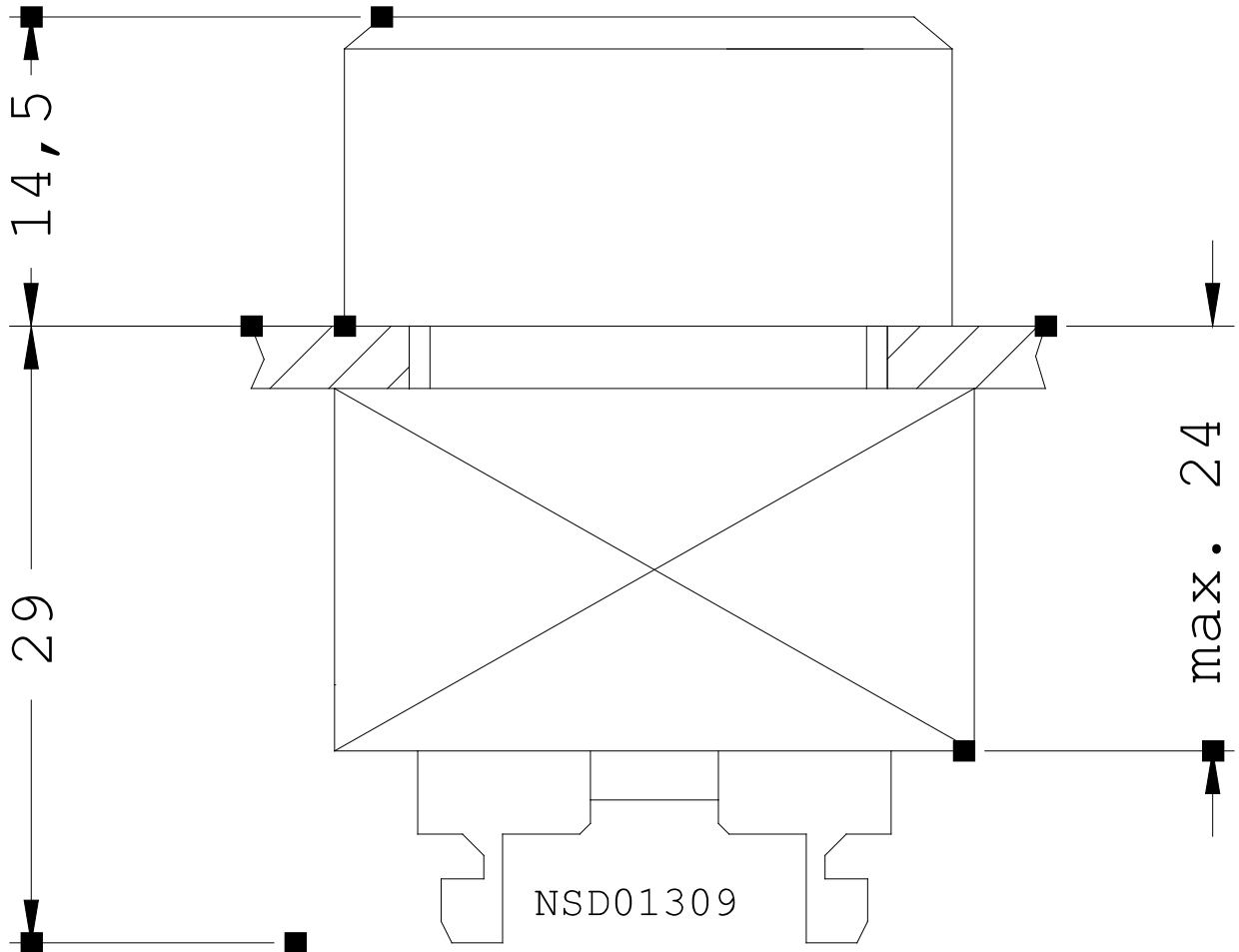
<http://www.siemens.com/industrial-controls/catalogs>

Industry Mall (Online ordering system)

<http://www.siemens.com/industrial-controls/mall>

Cax online generator:

<http://www.siemens.com/cax>



last change:

Jul 17, 2012