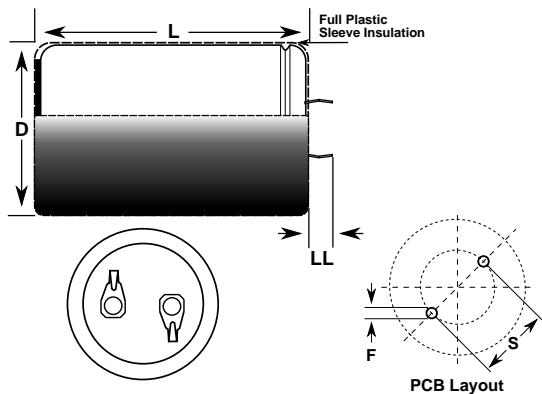


Capacitor, aluminum, 82 uF, +/-20% Tol, -40/+85C, 550 VDC@85C



Dimensions (mm)		
Symbol	Dimension	Tolerance
D	25	+1
L	40	+/-2
S	10	+/-0.1
LL	6.3	+/-1
F	2	+/-0.1

Notes:
 -Dimensions D and L include sleeving

General Information	
Supplier:	KEMET
Application:	General Purpose
Part Type Description:	Snap-In Aluminum Electrolytic
Lead Type:	2 Pin
RoHS:	Yes

Specifications	
Capacitance:	82 uF
Voltage:	550 VDC
Tolerance:	+/-20%
Voltage:	605 VDC (Surge)
Rated Temperature:	85C
Temperature Range:	-40/+85C
Life:	10000 Hrs
Life:	16000 Hrs (Rated Voltage)
Leakage Current:	270.6 uA
Leakage Condition:	5Min/20C
Resistance/ESR:	4178 mOhms (100Hz 20C)
Resistance/ESR:	3640 mOhms (10kHz 20C)
Current/Ripple Current:	0.87 Amps (100Hz 85C)
Current/Ripple Current:	1.46 Amps (10kHz 85C)

Packaging Specifications	
Package Kind:	Bulk