



Main

| | |
|---------------------------|--|
| Range of product | Preventa Safety automation |
| Product or component type | Safe relay output module |
| Device short name | XPSMCM |
| Electrical connection | Screw terminal |
| [Us] rated supply voltage | 24 V (- 20...20 %) DC |
| Number of outputs | 4 relay |
| Function of module | Relay output monitoring safety actuators |

Complementary

| | |
|----------------------------|---|
| Power dissipation in W | <= 3 W |
| Integrated connection type | Not connected to backplane expansion bus |
| Switching voltage | 10 V DC |
| Associated fuse rating | 3.5 A slow-blow |
| Safety level | SILCL 3 conforming to IEC 62061 Can reach category 4 conforming to EN/ISO 13849-1 Can reach PL = e conforming to EN/ISO 13849-1 Can reach SIL 3 conforming to EN/IEC 61508 |
| Quality labels | CE |
| Output type | Relay, with 4 NO + 2 NC, volt-free |
| Quantity per set | 1 |
| Switching time | 12 ms |
| Maximum switching voltage | 250 V DC 400 V AC |
| Minimum switching current | 20 mA |
| Maximum switching current | 6 A |
| Number of terminal blocks | 6 |
| Local signalling | 1 LED green with PWR marking for power ON 1 LED green with RUN marking for RUN (status) 1 LED red with E IN marking for internal error |

| | |
|-------------------------|--|
| | 1 LED red with E EX marking for external error 2 LEDs orange with ADDR marking for node address 2 LEDs green/red with RELAY K1...K2 marking for relay contact |
| Connections - terminals | 2-wire captive screw clamp terminals, removable terminal block 1-wire captive screw clamp terminals, removable terminal block |
| Cable cross section | (0.2...1.5 mm ² - AWG 24...AWG 16) flexible cable without cable end (0.2...2.5 mm ² - AWG 24...AWG 14) flexible cable without cable end (0.25...1 mm ² - AWG 23...AWG 18) flexible cable with cable end, without bezel (0.25...2.5 mm ² - AWG 23...AWG 14) flexible cable with cable end, with bezel (0.5...1.5 mm ² - AWG 20...AWG 16) flexible cable with cable end, with double bezel (0.2...1 mm ² - AWG 24...AWG 18) solid cable without cable end (0.2...2.5 mm ² - AWG 24...AWG 14) solid cable without cable end (0.25...2.5 mm ² - AWG 23...AWG 14) flexible cable with cable end, without bezel |
| Mounting support | Omega 35 mm DIN rail conforming to EN 50022 |
| Width | 22.5 mm |
| Height | 99 mm |
| Depth | 114.5 mm |
| Product weight | 0.3 kg |

Environment

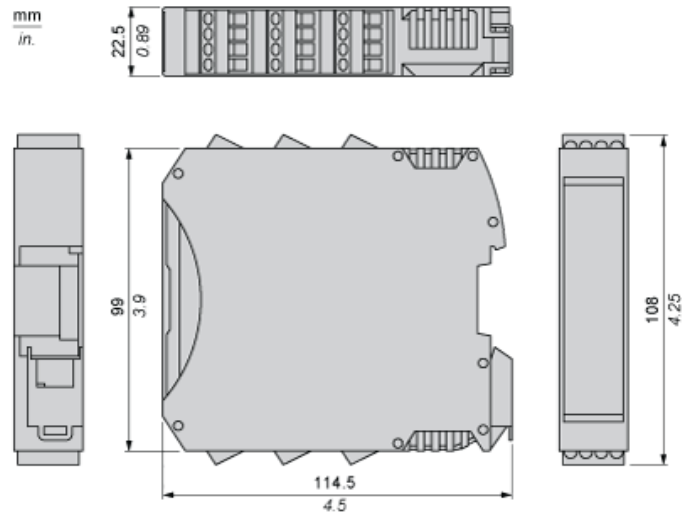
| | |
|--|---|
| Standards | EN/IEC 61508 EN/IEC 61800-5-1 EN/ISO 13849-1 IEC 62061 |
| Product certifications | CULus TÜV RCM |
| IP degree of protection | IP20 |
| Ambient air temperature for operation | -10...55 °C |
| Ambient air temperature for storage | -20...85 °C |
| Relative humidity | 10...95 % |
| Pollution degree | 2 |
| [Uimp] rated impulse withstand voltage | 4 kV conforming to EN/IEC 61800-5-1 |
| Safety reliability data | B10d = 300000 utilisation category AC-15 230 V, 3 A, conforming to EN/ISO 13849-1 B10d = 750000 utilisation category AC-15 230 V, 1 A, conforming to EN/ISO 13849-1 B10d = 1000000 utilisation category DC-13 24 V, 2 A, conforming to EN/ISO 13849-1 |
| Insulation | 250 V AC between power supply and housing conforming to EN/IEC 61800-5-1 |
| Overvoltage category | II |
| Electromagnetic compatibility | Electrostatic discharge immunity test - test level 6 kV, on contact conforming to EN/IEC 61000-4-2 Electrostatic discharge immunity test - test level 20 kV, on air conforming to EN/IEC 61000-4-2 Susceptibility to electromagnetic fields - test level 10 V/m, 80...1000 MHz conforming to EN/IEC 61000-4-3 Susceptibility to electromagnetic fields - test level 30 V/m, 1.4 GHz...2 GHz conforming to EN/IEC 61000-4-3 |
| Vibration resistance | +/-0.35 mm (f = 10...55 Hz) conforming to EN/IEC 61496-1 |
| Shock resistance | 10 gn 1000 shocks on each axis 16 ms EN/IEC 61496-1 1000 shocks on each axis EN/IEC 61496-1 EN/IEC 61496-1 |
| Electrical durability | 20000000 cycles |
| Mechanical durability | 20000000 cycles |
| Service life | 20 yr |

Offer Sustainability

| | |
|----------------------------------|---|
| Sustainable offer status | Green Premium product |
| RoHS (date code: YYWW) | Compliant - since 1450 - Schneider Electric declaration of conformity Schneider Electric declaration of conformity |
| REACH | Reference not containing SVHC above the threshold Reference not containing SVHC above the threshold |
| Product environmental profile | Available |
| Product end of life instructions | Available |

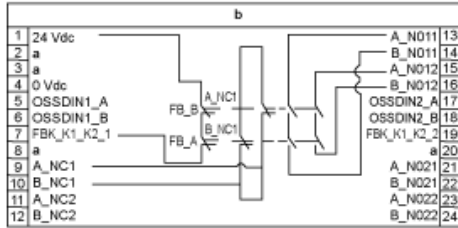
Dimensions

Screw Terminal



Wiring

Wiring Example



a : Not connected
b : Safe Relay output module