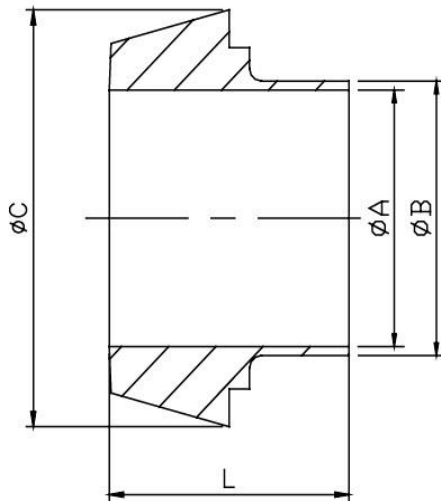




ENGLISH

Datesheet

## DIN-14DA WELD LINER 11851



RS Code	SIZE	A	B	C	L
918-6138	DN15	16	19	28.2	17
918-6147	DN20	20	23	36.3	18
918-6140	DN25	26	29	44	22
918-6144	DN32	32	35	50	25
918-6153	DN40	38	41	56	26
918-6156	DN50	50	53	68	28

unit:mm

### FEATURES

- Material : SS 304
- Applications : Food, Drinking Water