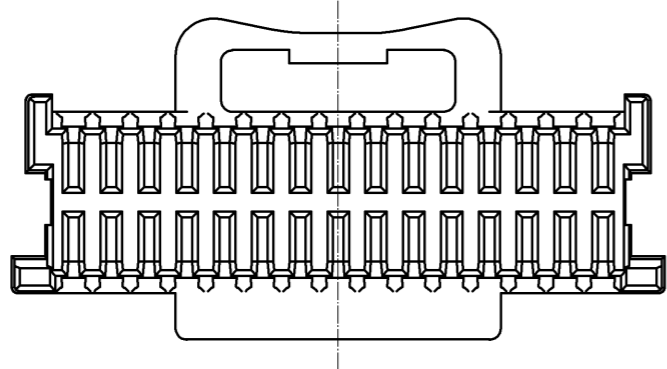
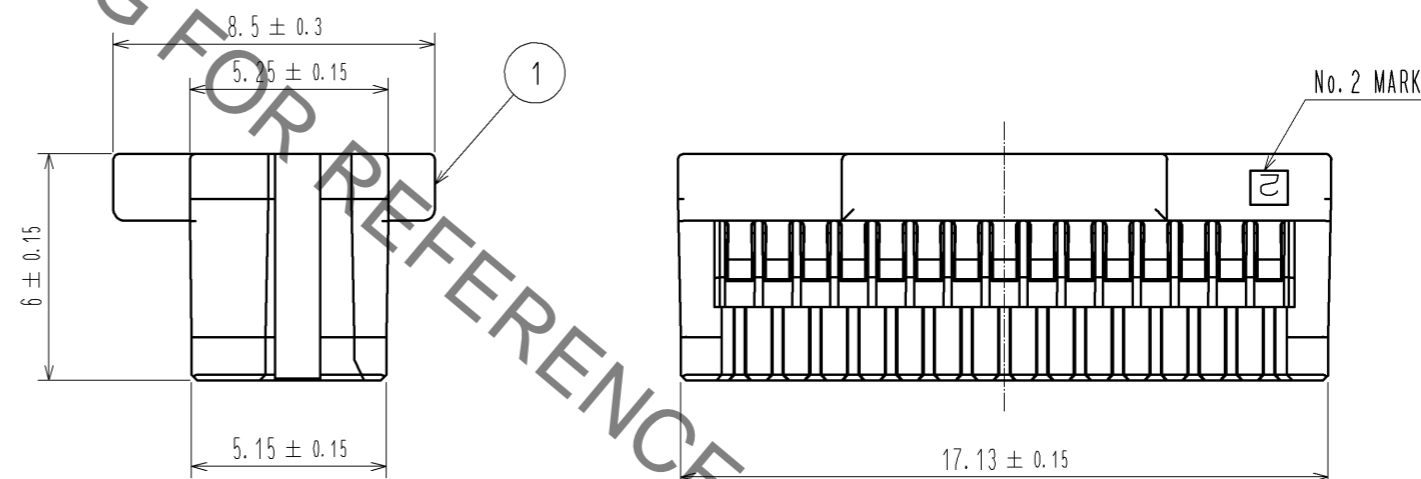
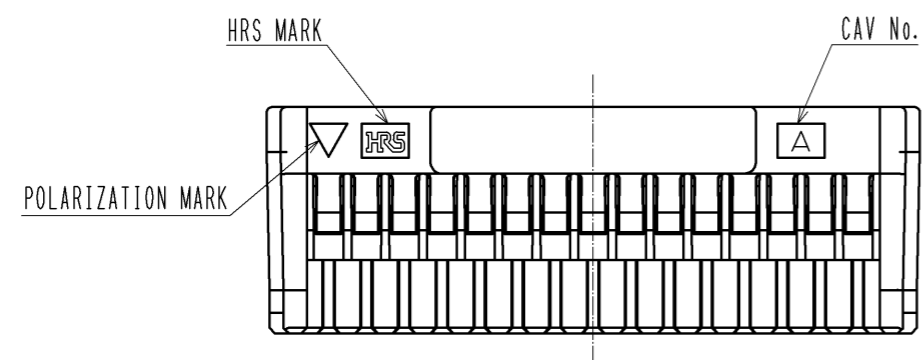
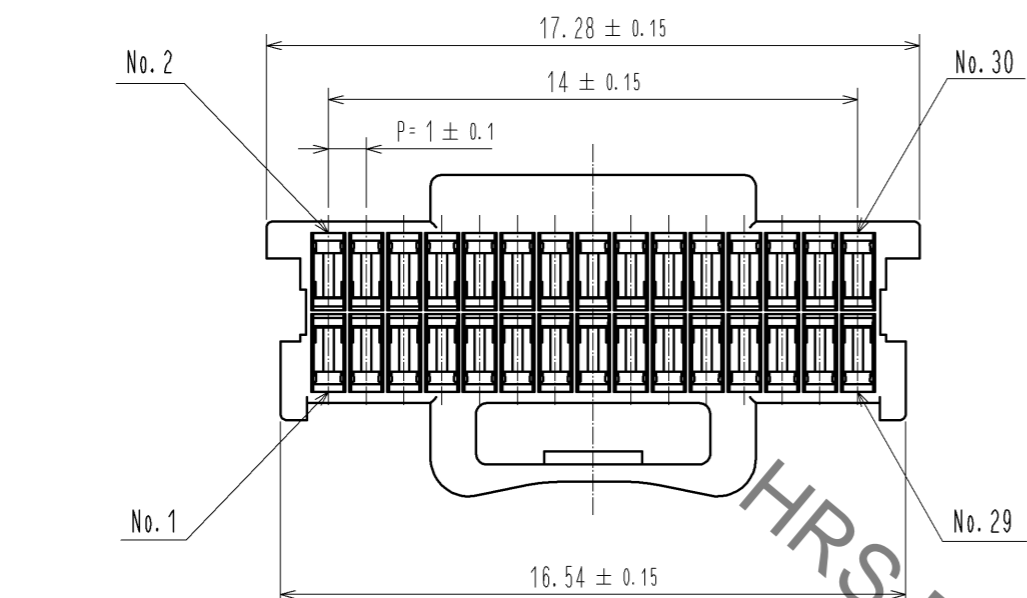


Sep.1.2019 Copyright 2019 HIROSE ELECTRIC CO., LTD. All Rights Reserved.
 In case of consideration for using Automotive equipment / device which demand high reliability, kindly contact our sales window correspondents.



NOTE1. PER PACK:100 PIECES

NO.	MATERIAL	FINISH . REMARKS	NO.	MATERIAL	FINISH . REMARKS
			1	PBT	UL94V-0. WHITE
UNITS mm		SCALE 5 : 1	COUNT	DESCRIPTION OF REVISIONS	DESIGNED
					CHECKED
					DATE
HIROSE ELECTRIC CO., LTD.			APPROVED : KI. AKIYAMA	11.11.24	DRAWING NO. EDC3-339823-00
			CHECED : OM. MIYAMOTO	11.11.22	PART NO. DF50S-30DS-1C
			DESIGNED : TT. OHSAKO	11.11.21	CODE NO. CL665-0021-5-00
			DRAWN : TT. OHSAKO	11.11.21	1/1