

MICRO SWITCH

FREEPORT ILLINOIS U.S.A.
A DIVISION OF HONEYWELL
FED. MFG. CODE 91929

SWITCH - BASIC

CATALOG LISTING
4TL1-72 SERIES

CHART 1

THIS DRAWING COVERS A PROPRIETARY ITEM AND IS THE PROPERTY OF MICRO SWITCH, A DIVISION OF MINNEAPOLIS-HONEYWELL REGULATOR CO. THIS DRAWING IS NOT TO BE COPIED OR USED WITHOUT THE APPROVAL OF MICRO SWITCH.

4TL1-72 SERIES
CHART 1
PAGE 1 OF 1

M

DRAWING NUMBER

ISSUE
8

REVISIONS

A CO-81150
J A K
20 JUN 95
B C094441
LJK
23 NOV 99

RELEASE NO. CO-33059

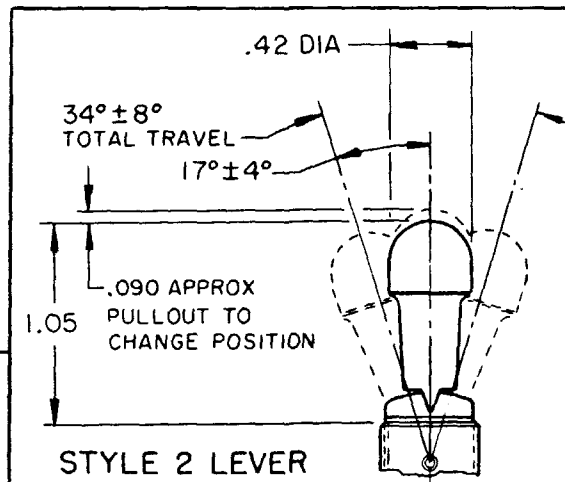
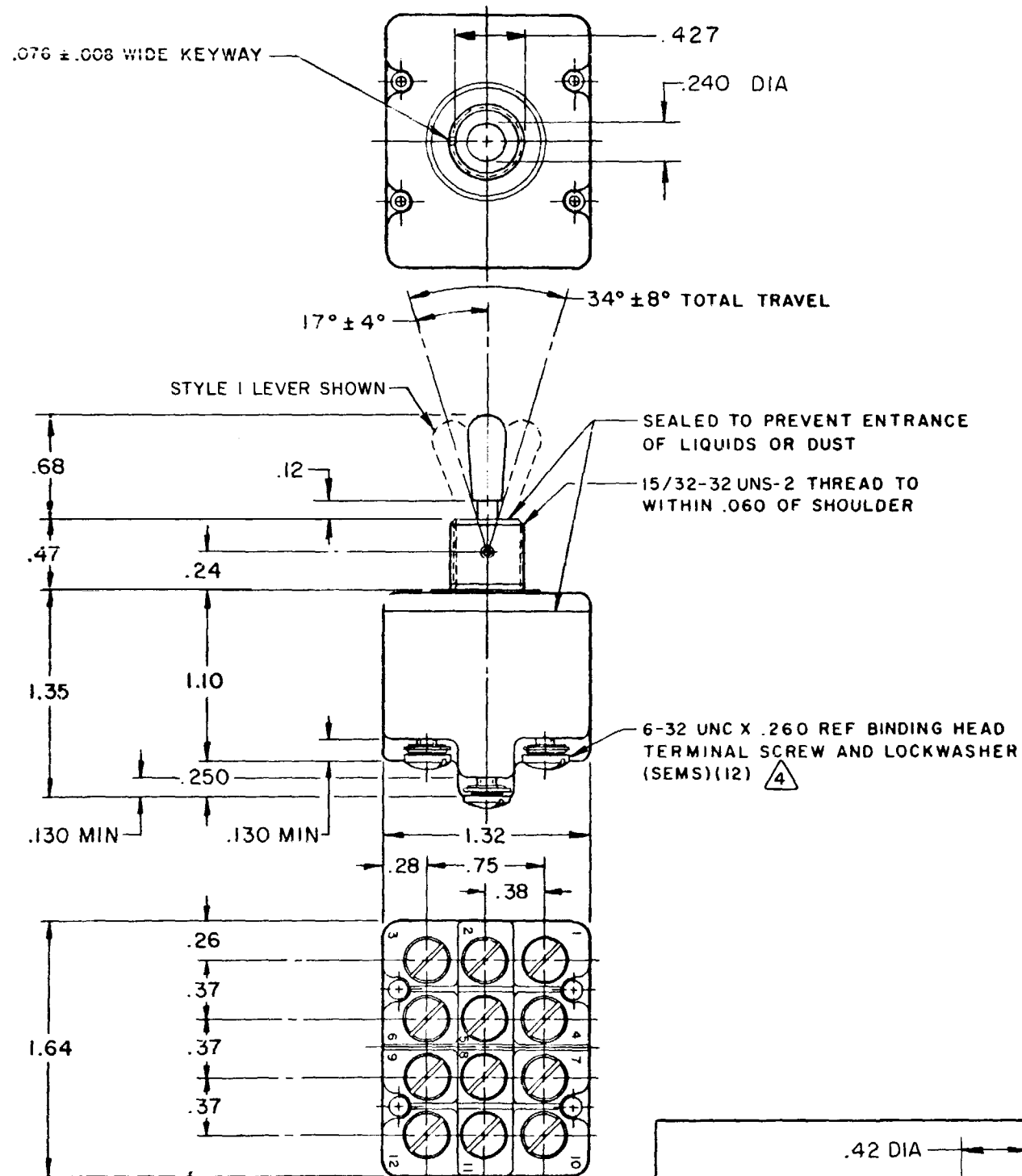
CHECK

CHECK

CHECK

CHECK

CHECK



CAT. LIST.	AVAILABLE LOCKING COMBINATIONS FOR CONFIGURATION SEE LETTERED DETAILS	STYLE NO.	MILITARY RATING (AMPS)								MS NUMBER	
			RESISTIVE LOAD DC VOLTS		AC VOLTS		LAMP LOAD VDC		INDUCTIVE LOAD VAC			CONTINUOUS
			28	125	250	125	250	28	125	28		
4TL1-72	NONE	1									27406-3	
4TL1-72	E,L	2	18	.75	.5	11	6	4	2	10	8	27409-3

"A"	"B"	"D"	"E"	"F"	"G"
LOCKED IN THREE POSITIONS	LOCKED IN CENTER AND EXTREME POSITION (KEYWAY SIDE)	LOCKED OUT OF CENTER POSITION	LOCKED IN CENTER POSITION	LOCKED IN EXTREME POSITION (OPPOSITE KEYWAY)	LOCKED IN EXTREME POSITION (KEYWAY SIDE)
"H"	"J"	"K"	"L"	"M"	"N"
LOCKED OUT OF CENTER AND EXTREME POSITION (KEYWAY SIDE)	LOCKED OUT OF CENTER AND EXTREME POSITION (OPPOSITE KEYWAY)	LOCKED IN CENTER AND EXTREME POSITION (OPPOSITE KEYWAY)	LOCKED OUT OF EXTREME POSITION (KEYWAY SIDE)	LOCKED OUT OF AND INTO EXTREME POSITION (OPPOSITE KEYWAY)	LOCKED OUT OF EXTREME POSITION (OPPOSITE KEYWAY)
"P"					
LOCKED OUT OF AND INTO EXTREME POSITION (KEYWAY SIDE)	LOCKWASHER		LOCKING RING		HEX NUT

LEVER ON KEYWAY SIDE	LEVER IN CENTER	LEVER OPPOSITE KEYWAY
MOMENTARY POSITION	MAINTAINED POSITION	MOMENTARY POSITION

NOTES

- SWITCHES ARE CAPABLE OF WITHSTANDING A TEMPERATURE OF 160°F CONTINUOUSLY AT FULL RATED LOAD
- CIRCUIT DESIGNATION, MICRO SWITCH CATALOG LISTING AND MS NUMBER MARKED ON SIDE OF SWITCH

△ 3 KEYWAY SHOWN ON LEFT SIDE
△ 4 FURNISHED UNASSEMBLED
△ 5 - FOR TERMINAL COVER SEE MICRO SWITCH CATALOG LISTING 5PA9
△ 6 SUFFIX LETTER MUST BE ADDED FOR DESIRED TYPE TOGGLE LOCKING
SEE CHART FOR AVAILABLE LOCKING COMBINATIONS

SCALE FULL
DO NOT SCALE PRINT
UNLESS OTHERWISE NOTED
DIMENSIONS ARE IN INCHES
TOLERANCES ARE:
ONE PLACE .01 .030
TWO PLACE .001 .015
THREE PLACE .0001 .005
ANGLES .01

10A-125, 250, 277 VAC
1/4HP-125VAC; 1/2HP-250, 277VAC
3A-125VAC "L" CODE L192



FORMTEK

DRAWN
D B W 21 JAN 74