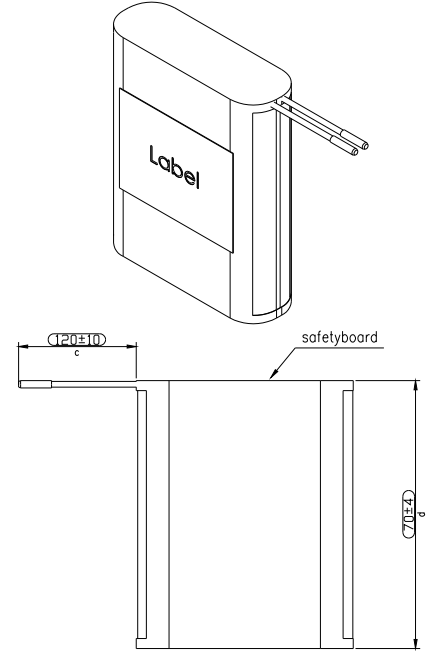
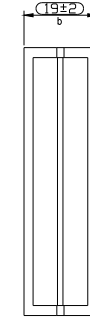
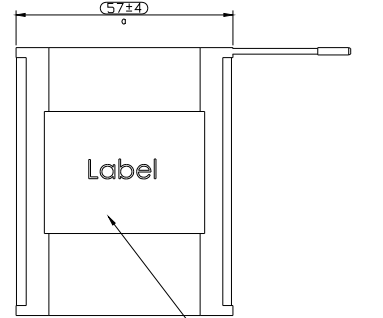
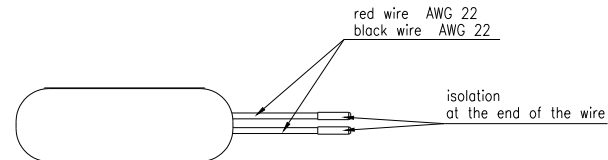


Technische Daten/ technical data	:	Akkupack/ batterypack
Chemie/ chemistry	:	Lithium Ion
Zellenzahl/ no. of cells	:	3 Zellen/ cells INR18650 M26 LG ; 3S1P
Kapazität/ capacity	:	nom. 2600mAh discharge at 0.2C min. 2500mAh discharge at 0.2C
		to:20°C; EV(Discharge End Voltage): 2.75V per cell
Innenwiderstand/ impedance	:	< 240mOhm (battery and safetyboard)
Nominalspannung/ nominal voltage	:	10.8V
Standard Ladespannung/ standard charge voltage	:	12.6V±1%
Standard Entladespannung/ standard discharge voltage	:	8.25V
Nominaler Ladestrom/ nominal charge current	:	0.5C
Maximaler Ladestrom/ maximum charge current	:	1C
Ladeendstrom/ charge end current	:	0.01C recommended
Maximaler Entladestrom/ maximum discharge current	:	5A (limited by safety board)
Anwendungstemperaturbereich/ ambient temperature range	:	0°C...+45°C charge -20°C...+60°C discharge -20°C...+20°C storage max. 1 year -20°C...+45°C storage max. 3months
Selbstentladung/ self discharge	:	≤ 5% / month at20°C ≤ 10% / month at30°C ≤ 20% / month at40°C
Standards/ standards	:	UN 3480, Subsection 38.3 All cells and batterypacks type tested according to UN manual of test and criteria subsection 38.3
Technische Daten/ technical data	:	Sicherheitsschaltung/ safety board
Überladeschutzspannung/ over charge voltage detection	:	4.35V±25mV per cell
Wiedereinschaltspannung/ over charge release voltage	:	4.15V±50mV per cell
Entladeabschaltspannung/ over discharge detection voltage	:	2.4V±80mV per cell
Wiedereinschaltspannung/ over discharge release voltage	:	3V±100mV per cell
Nominaler Lade/Entladestrom / nominal operating current	:	5A
Entlade Abschaltstrom/ discharge cut off current	:	12A± 2A
Kurzschlusschutz/ short circuit protection	:	gegen äußeren Kurzschluss/ against external short circuit
Temperaturumschalter/ temperature switch	:	PTC: JK-P730 20V/7.3A at 25°C; 6.2A at 40°C
MOSFET	:	im Pluszweig in positive path
Rückstellkriterium/ release condition	:	Last trennen, Aktiv nach Anladen/ cut load, release after charging up
Nettogewicht/ net weight	:	145g
Leiterplattenmaterial/ pcb material	:	FR4
Standards	:	CE



batterypack covered with 1 layer of blue shrinktube

Allowable deviation general tolerances		Surface:	Material:	Weight
DIN ISO 2768-m			Scale (DIN A2): 1:1	Projection method 1
Date Name		Product name:		
Drawn by 26.06.2015 JH		Li-Ion-11.1V-2600mAh-3s1p-bu/RS		
Changed by		Part number 2447-3007-520	Project: IS-XXXX	
V3 technical data changed 07.09.2020 DS		Application range for inquiry XXX/XX		Sheet 1/1
V2 technical data changed 04.09.2018 DS				
V1 updated datasheet 03.08.2017 DS				
V0 --- 26.06.2015 JH				
Version Change	Date Name			

The drawing may not be used, reproduced or made available to third parties without the written approval of the company. Every approval must be given in writing and must be signed by the responsible person.