

## DETAILS

<b>Product Number</b>	C13085_MIRELLA-50-S-PF
<b>Family</b>	Mirella
<b>Type</b>	Reflector
<b>Color</b>	metal
<b>Diameter</b>	49,9 mm
<b>Height</b>	24 mm
<b>Style</b>	round
<b>Optic Material</b>	PC
<b>Holder Material</b>	
<b>Fastening</b>	socket
<b>Status</b>	ready
<b>ROHS Compliant</b>	Yes
<b>Date Updated</b>	31/10/2014



## OPTICAL PROPERTIES

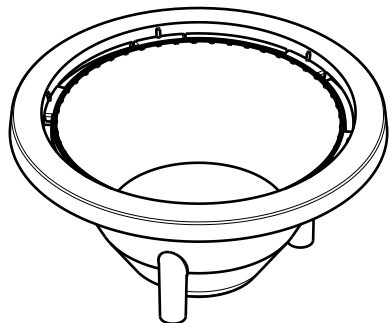
LED	Viewing Angle	Light Beam	Efficiency	cd/lm	Connector
LUXEON CoB 1202/1203	19 deg	Spot	88 %	3.500	IDEAL: 50-2100NC + Mirella(50-2100MR)
NSBxL066A/NFCxL036B	22 deg	Spot	84 %	3.000	IDEAL: 50-2100NC + Mirella(50-2100MR)
CXA/B 1816 & CXA/B 1820 & CXA 1850	23 deg	Spot	89 %	2.800	IDEAL: 50-2101CR + Mirella(50-2100MR)
L121A/L060B/L024Z	25 deg	Spot	83 %	2.500	IDEAL: 50-2100NC + Mirella(50-2100MR)

D

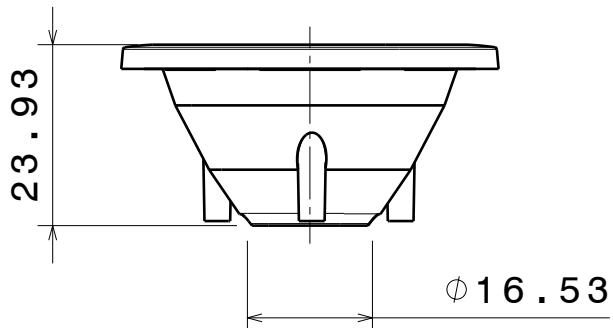
C

B

A

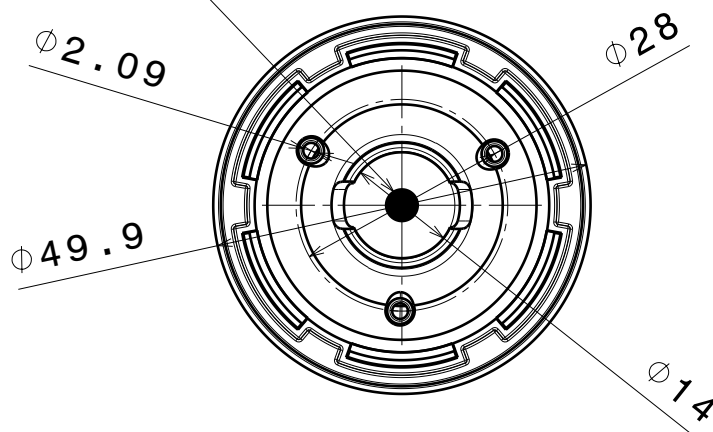


Isometric view



Front view

LED position



Bottom view

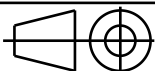
INDEX	PART NO	DESCRIPTION	MATERIAL	COLOUR
1	C13085	MIRELLA-50-S-PF	PC	metal

Tolerances if not otherwise shown  
According to DIN ISO 2768-1  
Linear measures: class C  
According to DIN ISO 2768-2  
Form and position: class L

LEDiL

Ledil Oy  
Salorankatu 10  
FIN 24240 SALO  
Finland

THIRD ANGLE PROJECTION:



DRAWING TITLE

C13085\_MIRELLA-50-S-PF

This drawing is the property  
of LEDiL Oy. It may not be  
reproduced, copied or  
communicated without a written  
agreement with LEDiL Oy.

SIZE PART NUMBER

A4

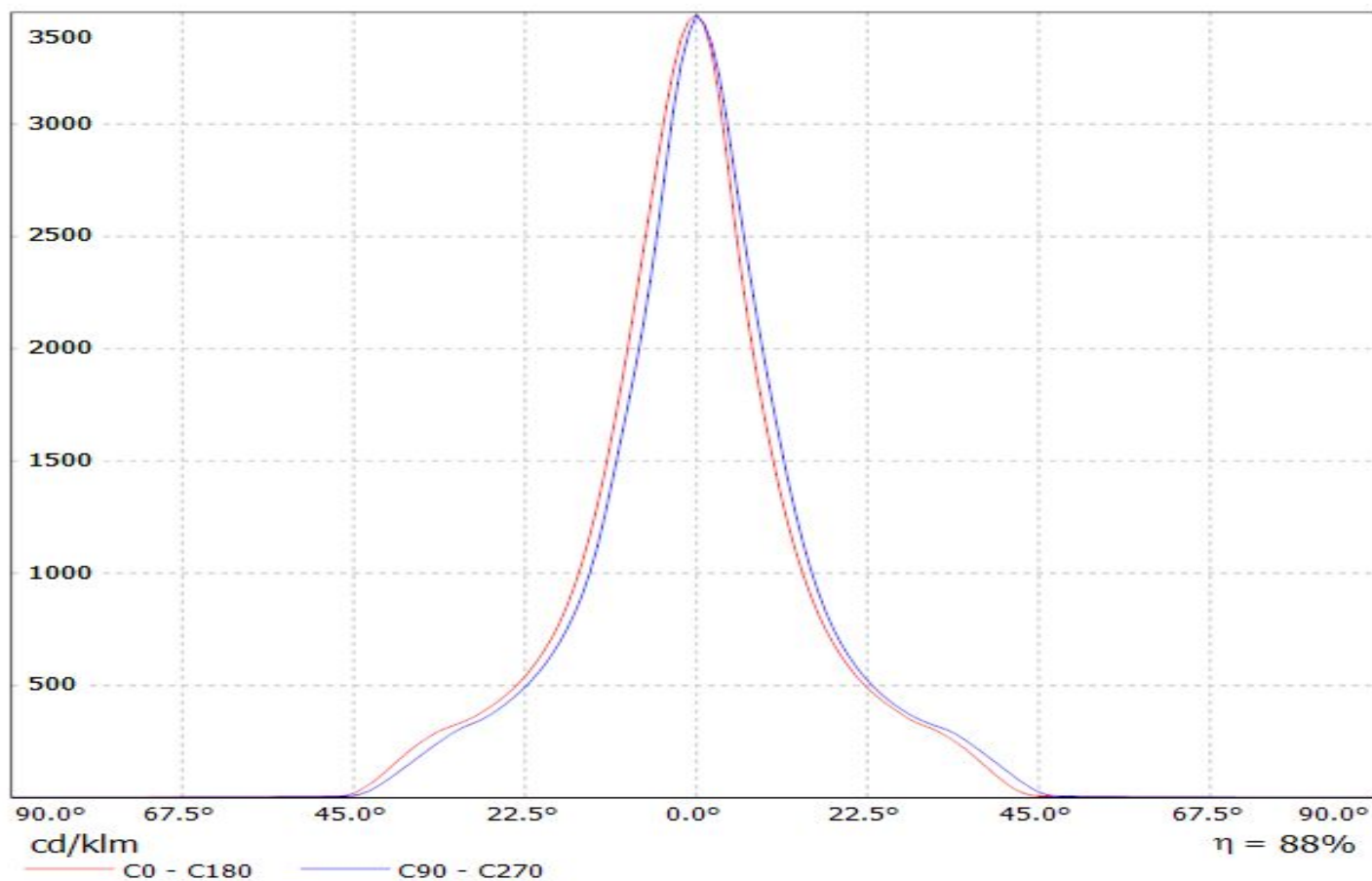
C13085

SCALE	1:1	WEIGHT	4,70 g	SHEET	1/1
-------	-----	--------	--------	-------	-----

D

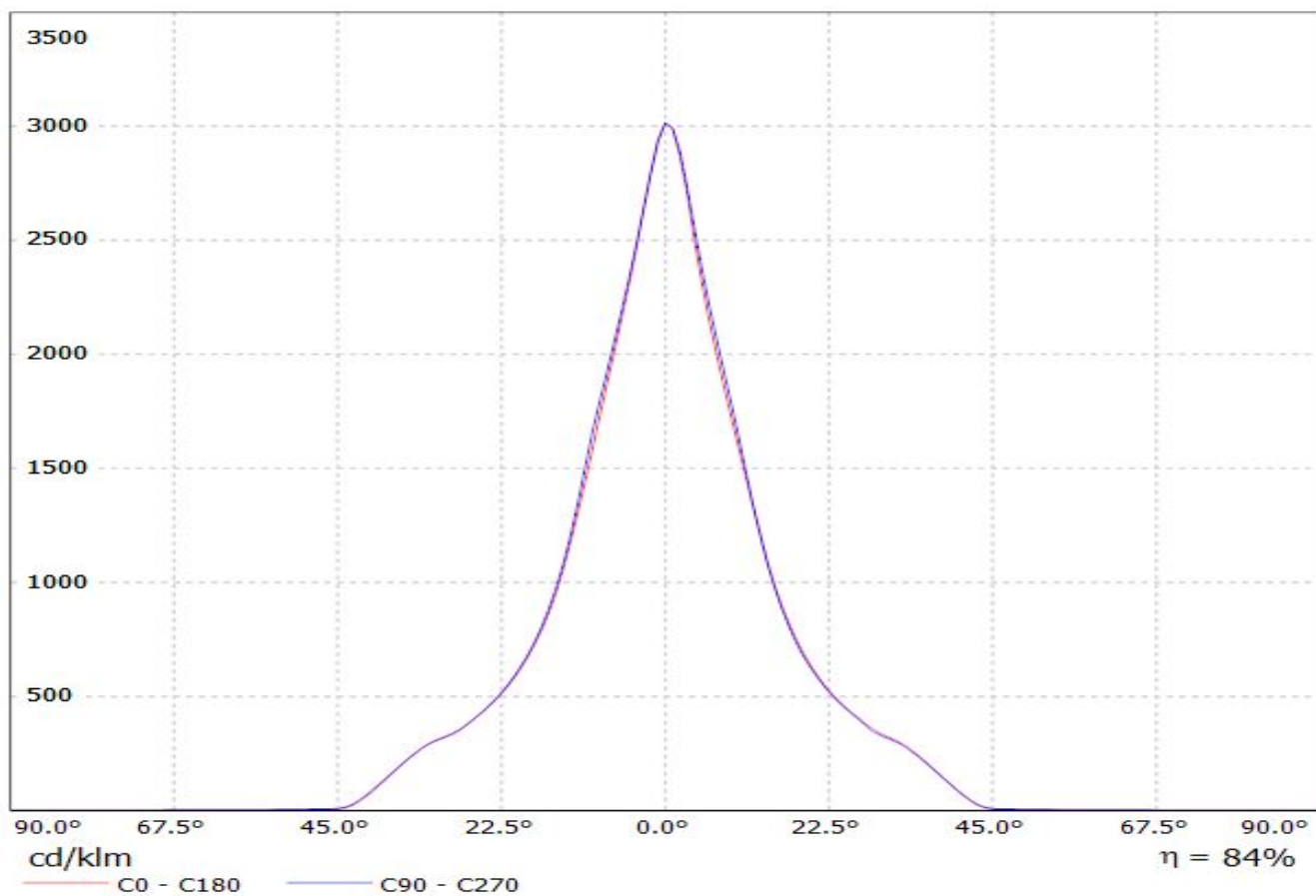
A

Luminaire: LEDiL Oy C13085\_MIRELLA-50-S-PF\_(COB\_1203)  
Lamps: 1 x Phillips\_Lumileds\_Luxeon\_COB\_1203\_(LHC1-3080-1203)  
\_987.649lm@250mA\_P=8.67381W\_I=249.8mA



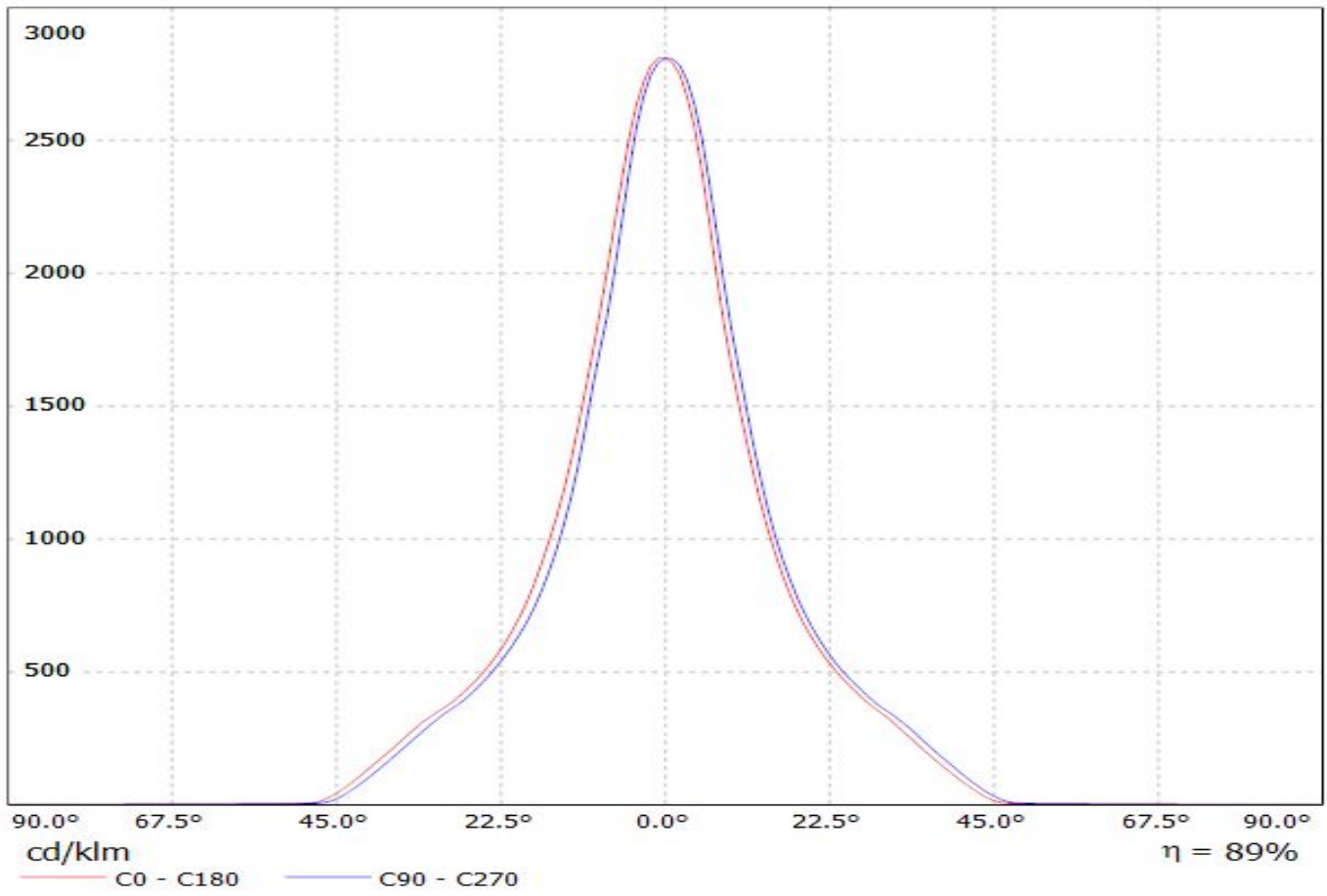
Luminaire: LEDiL Oy C13085\_MIRELLA-50-S-PF\_(NCFL036B)

Lamps: 1 x Nichia\_NFCL036B\_(sm403J1300R8000)\_546.369lm@100mA\_P=3.34274W\_I=100.1mA



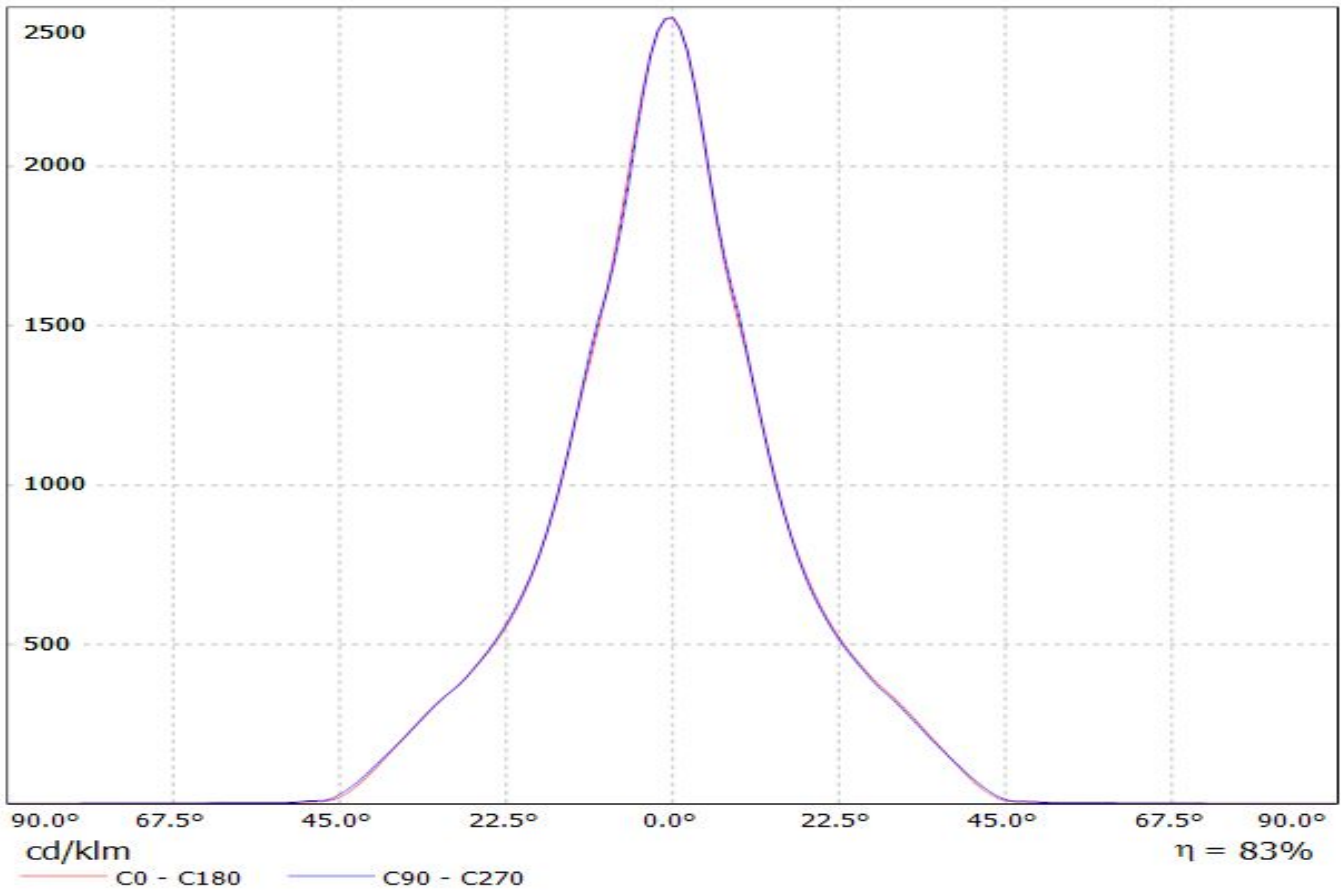
Luminaire: LEDiL Oy C13085\_MIRELLA-50-S-PF\_(CXA1816)

Lamps: 1 x CREE\_CXA1816\_(CXA1816-30F-P2-N0H-00001)\_1077.67lm@250mA\_P=8.73226W\_I=249.8mA

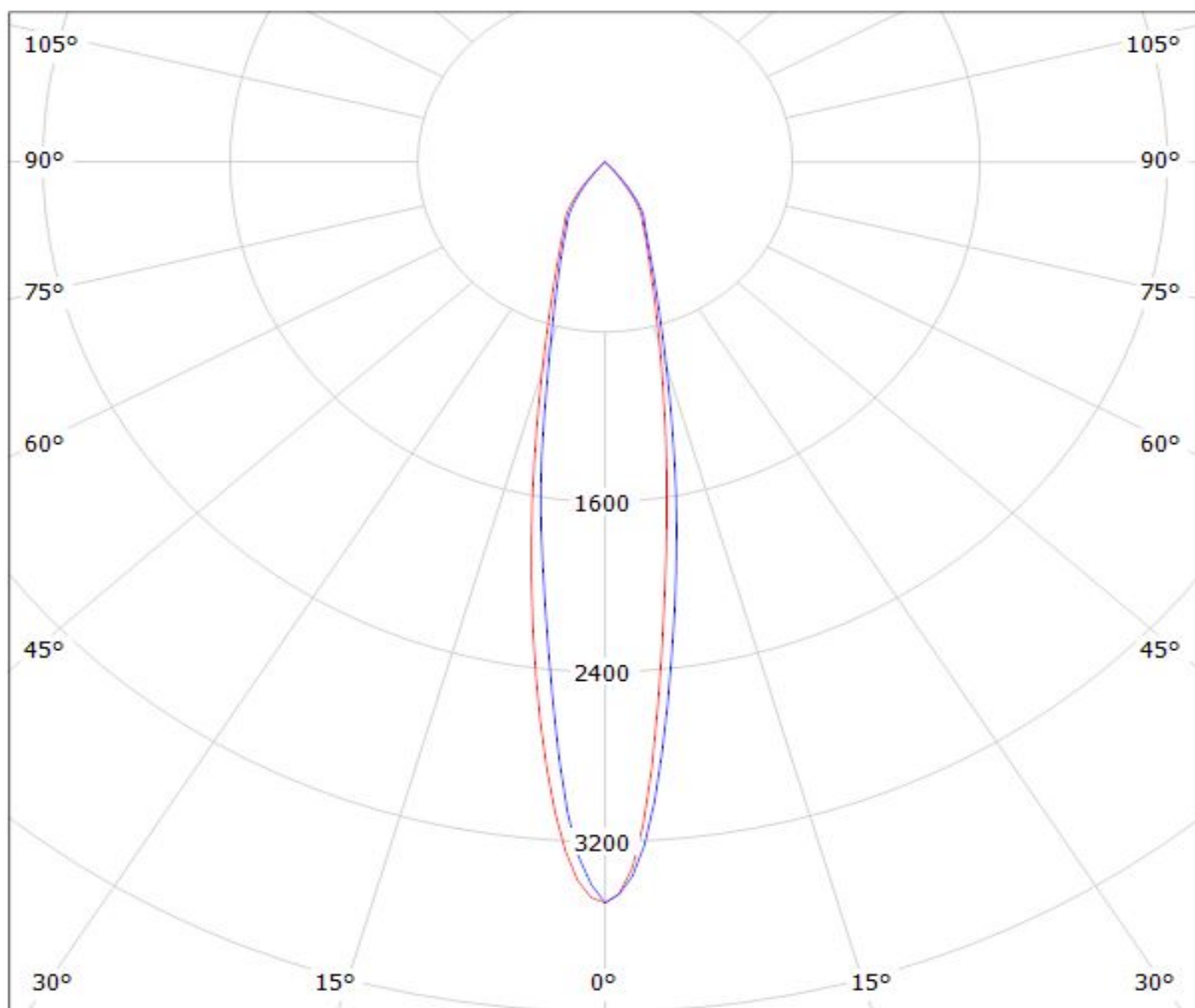


Luminaire: LEDiL Oy C13085\_MIRELLA-50-S-PF\_(NFCLL060B)

Lamps: 1 x Nichia\_NFCLL060B\_(sm403G2450R8000)\_1315.35lm@250mA\_P=8.47347W\_I=249.8mA



Luminaire: LEDiL Oy C13085\_MIRELLA-50-S-PF\_(COB\_1203)  
Lamps: 1 x Phillips\_Lumileds\_Luxeon\_COB\_1203\_(LHC1-3080-1203)  
\_987.649lm@250mA\_P=8.67381W\_I=249.8mA



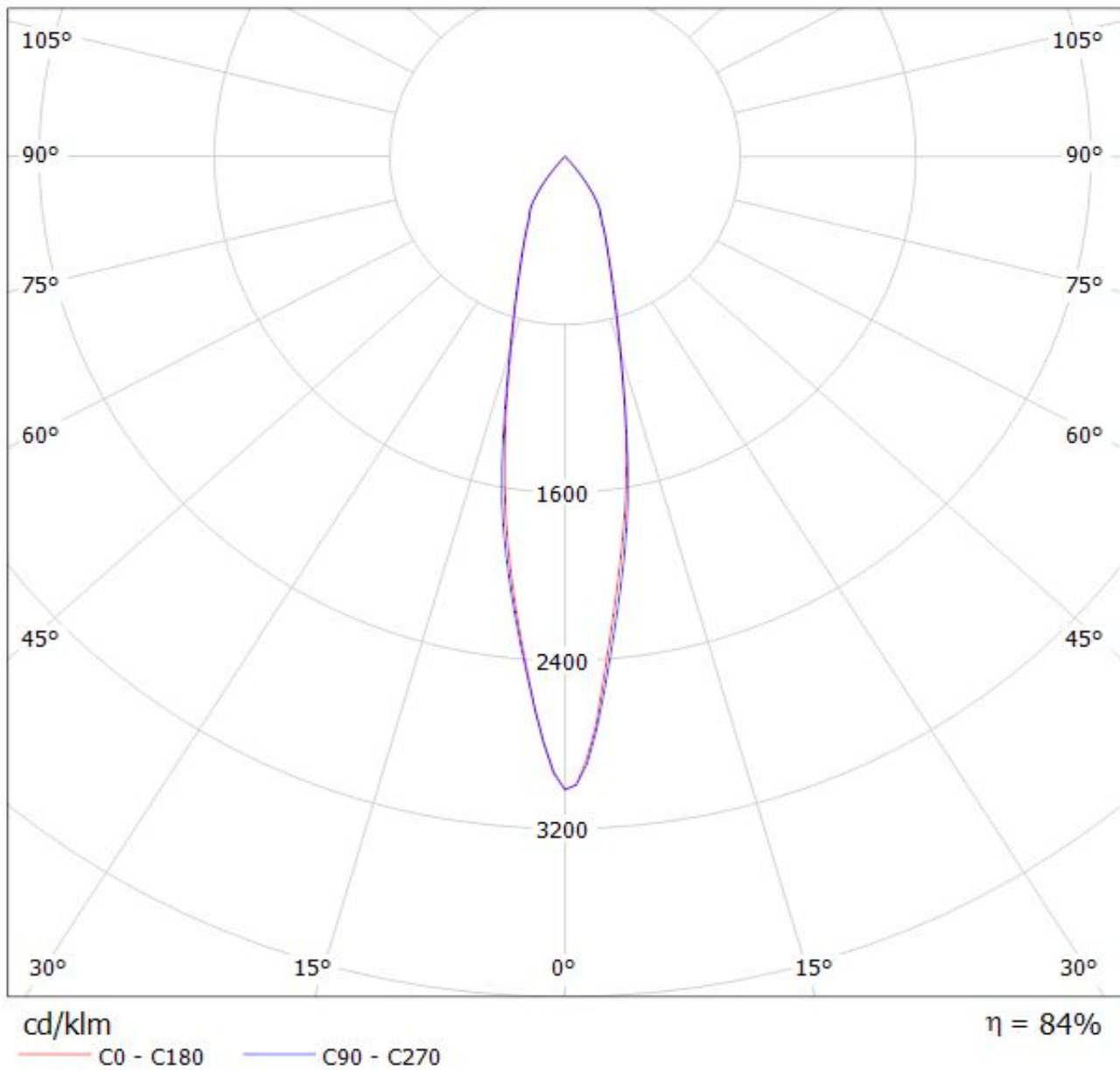
cd/klm

— C0 - C180 — C90 - C270

$\eta = 88\%$

Luminaire: LEDiL Oy C13085\_MIRELLA-50-S-PF\_(NCFL036B)

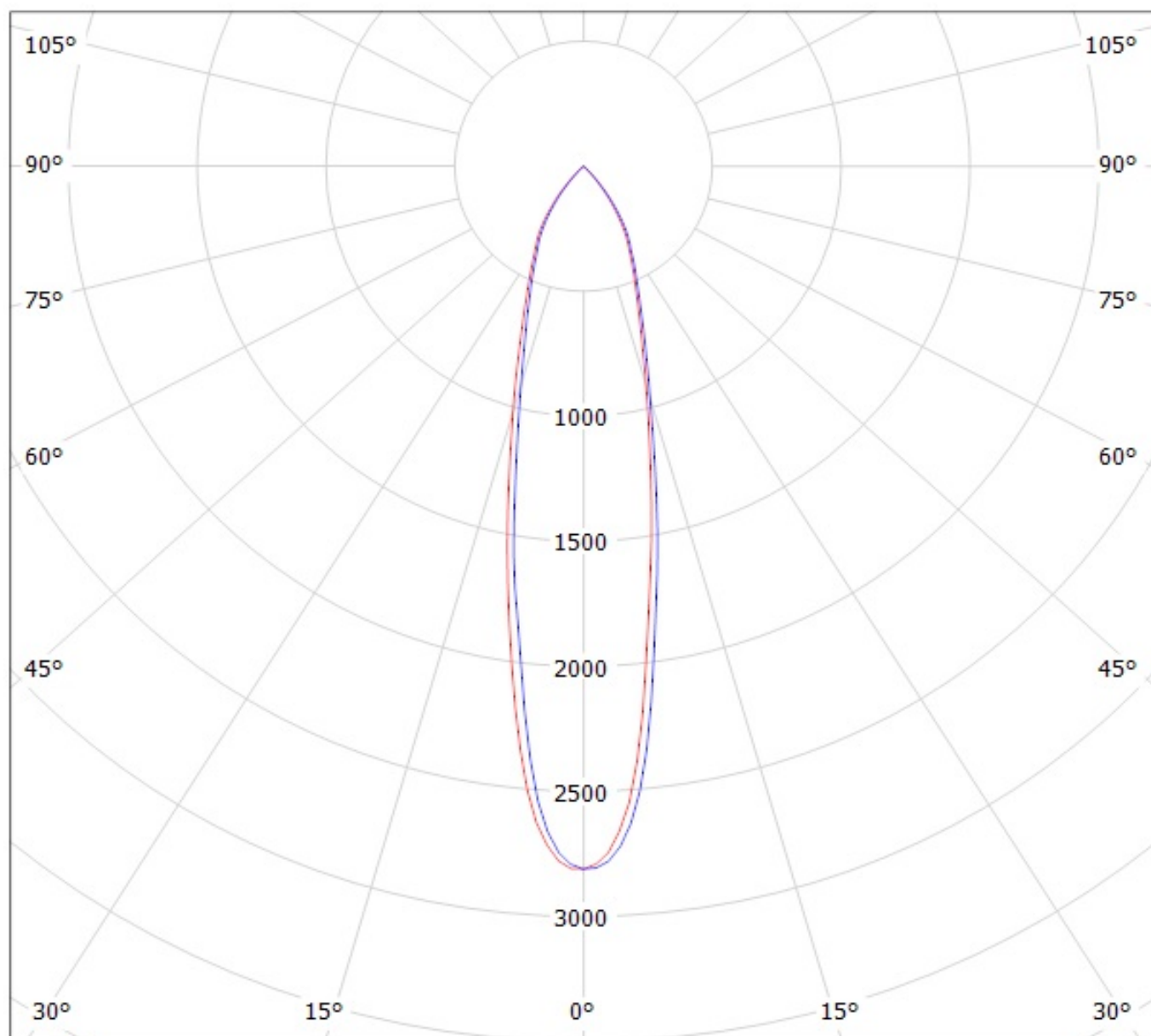
Lamps: 1 x Nichia\_NFCL036B\_(sm403J1300R8000)\_546.369lm@100mA\_P=3.34274W\_I=100.1mA





Luminaire: LEDiL Oy C13085\_MIRELLA-50-S-PF\_(CXA1816)

Lamps: 1 x CREE\_CXA1816\_(CXA1816-30F-P2-N0H-00001)\_1077.67lm@250mA\_P=8.73226W\_I=249.8mA



cd/klm

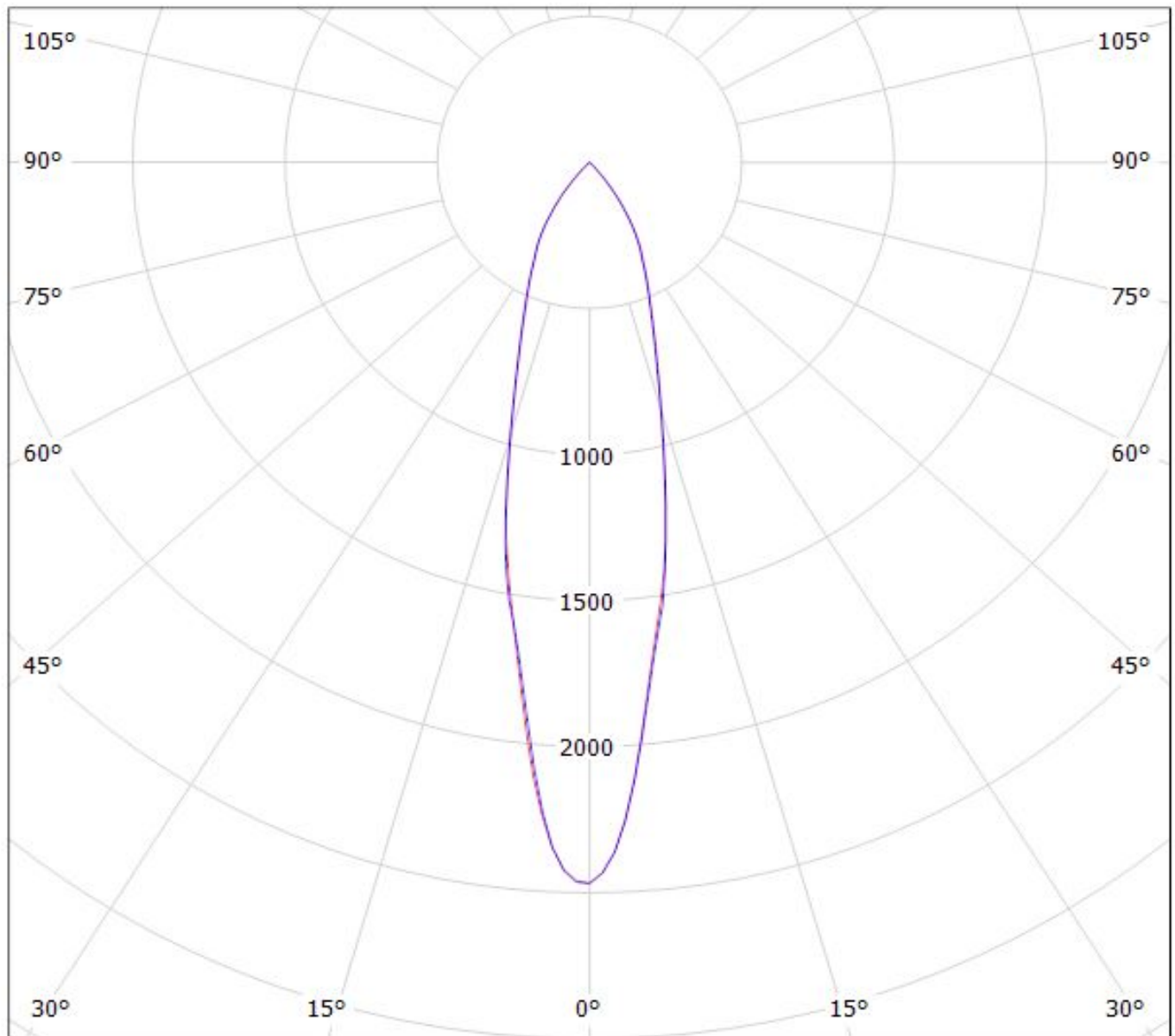
— C0 - C180

— C90 - C270

$\eta = 89\%$

Luminaire: LEDiL Oy C13085\_MIRELLA-50-S-PF\_(NFCLL060B)

Lamps: 1 x Nichia\_NFCLL060B\_(sm403G2450R8000)\_1315.35lm@250mA\_P=8.47347W\_I=249.8mA



cd/klm

— C0 - C180

— C90 - C270

$\eta = 83\%$

**NOTE: The typical divergence will be changed by different color, chip size and chip position tolerance. The typical total divergence is the full angle measured where the luminous intensity is half of the peak value.**

#### **GENERAL INFORMATION**

- Product series especially designed & optimized for series of LEDs.
- Special care taken to make light distribution as uniform as possible.
- Reflector is made of aluminium coated PC (120 degrees of Celcius / 248 degrees of Fahrenheit) with protective lacquer (short term 100 degrees of Celcius / 212 degrees of Fahrenheit).

Note! Due to use of high power COB's with this product, special attention to proper thermal design is highly recommended. LEDiL has no liability for direct, indirect or consecutive damages arising from the LEDiL products being used outside of the recommended temperature range.