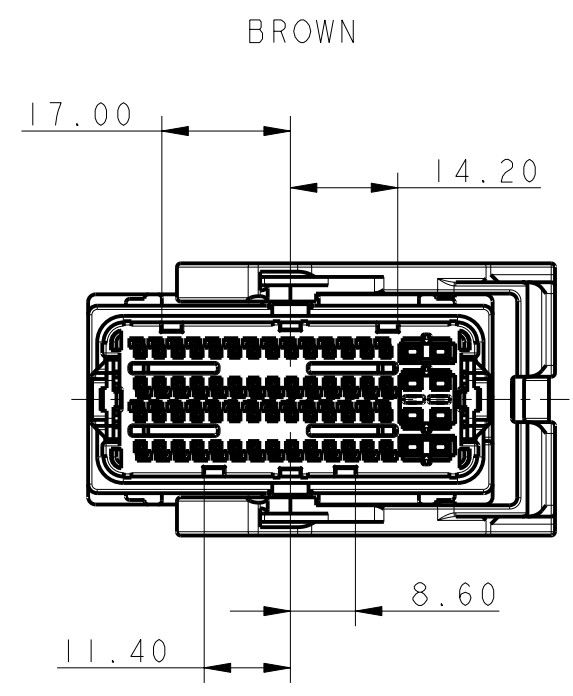
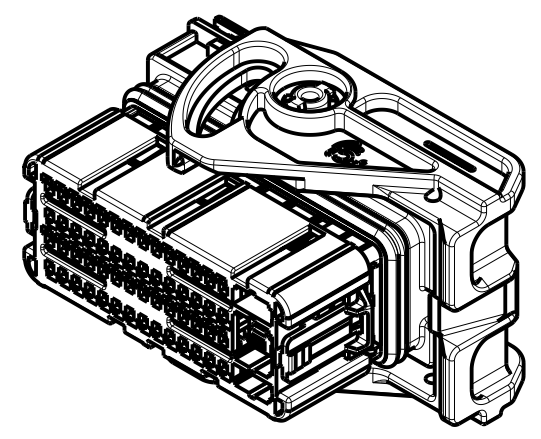
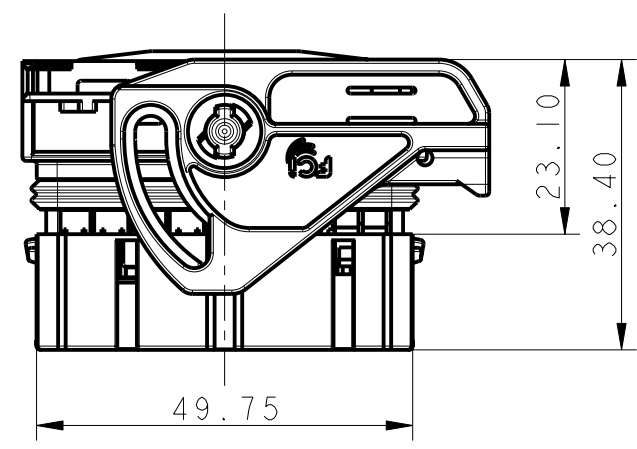
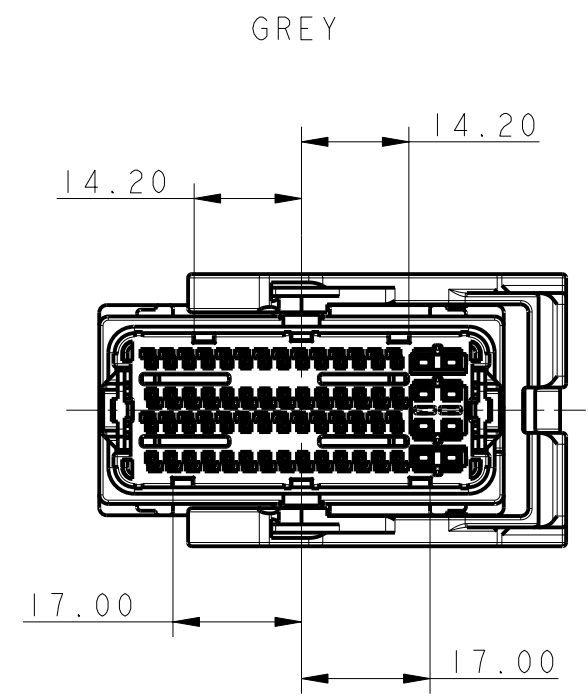
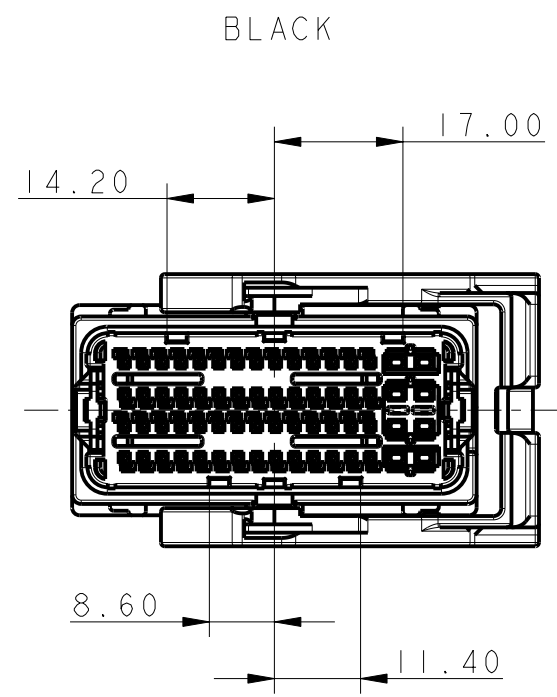
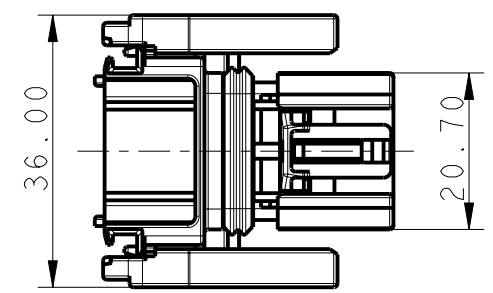
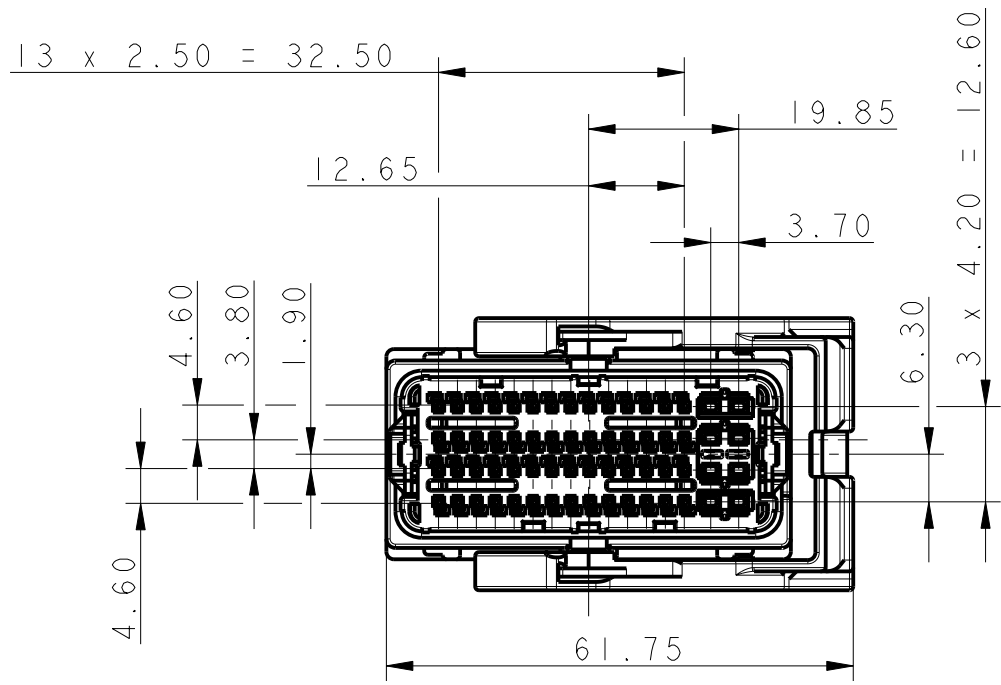


CODINGS



DO NOT SCALE DRAWING	 www.fciconnect.com	ISO PROJECTION SCALE 1:1
TITLE 64W CMC sealed Connector Right lever		DIMENSION IN MILLIMETERS DWG SIZE A3
CATALOG NUMBER --		SHEET 1 of 1
THIS DRAWING AND ALL OTHER INFORMATION CONTAINED THEREIN IS PROPRIETARY AND THE PROPERTY OF FCI. This drawing may not be copied, reproduced or disclosed to any third party without the expressed written permission of FCI. © FCI April 1999		