

THIS DRAWING IS UNPUBLISHED.

RELEASED FOR PUBLICATION

1998

© COPYRIGHT 1998

BY AMP INCORPORATED. ALL RIGHTS RESERVED.

LOC J

DIST

REVISIONS

| P  | LTR | DESCRIPTION   | ECN           | DATE           | DWN | APVD |
|----|-----|---------------|---------------|----------------|-----|------|
| A  |     | REVISED       | FJ00-1080-00  | 21/SEP<br>'00  | Y.K | S.M  |
| A1 |     | ADD P/N.      | FJ00-1259-00  | 11/OCT<br>'00  | D.M | S.M  |
| B  |     | REVISED       | FJ00-2536-02  | 05/DEC<br>'02  | T.S | S.M  |
| B1 |     | OBSOLETE P/N. | ECR-08-006764 | 14/MAR<br>2008 | Y.Y | D.M  |

注記

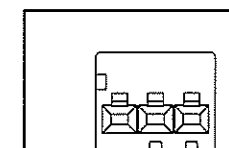
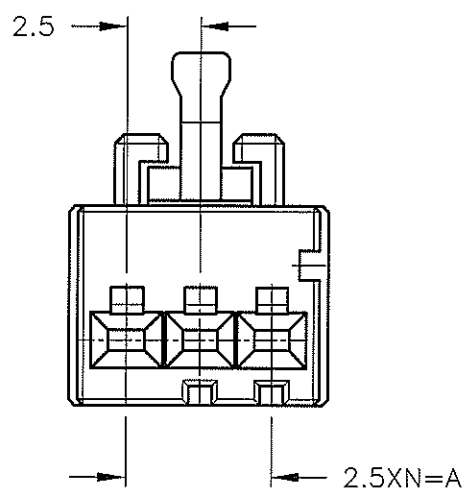
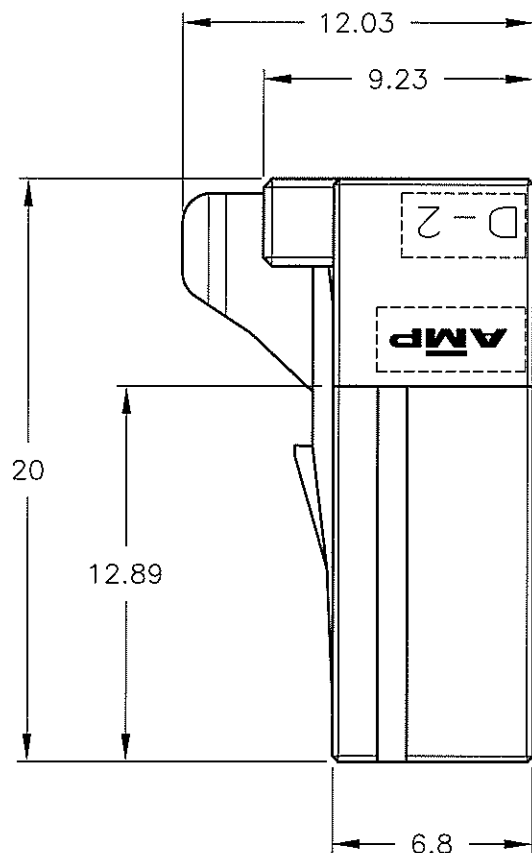
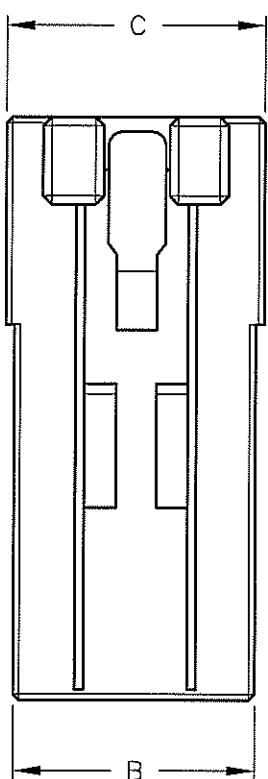
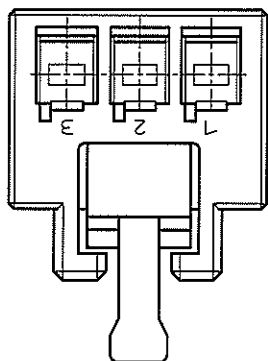
① 材料:ハウジング:ガラス入り熱可塑性ポリエステル樹脂(94V-0),色:黒

~~② ハウジング全面にテフロン塗装のこと~~

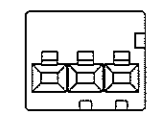
NOTES

① MATERIAL:HOUSING:GLASS FILED THERMO PLASTIC  
,POLYESTER(94V-0),COLOR:BLACK

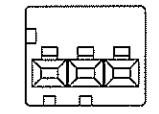
~~② TO COAT ALL SURFACE OF HOUSING WITH TEFLON~~



KEYING:Z  
3-1318120-3



KEYING:Y  
2-1318120-3



KEYING:X  
1-1318120-3

|          |                |                |              |              |              |                        |
|----------|----------------|----------------|--------------|--------------|--------------|------------------------|
|          | 8.9            | 8.3            | 5            | 2            | 3            | 3-1318120-3            |
| OBSOLETE | <del>8.9</del> | <del>8.3</del> | <del>5</del> | <del>2</del> | <del>3</del> | <del>5-1318120-3</del> |
|          | 8.9            | 8.3            | 5            | 2            | 3            | 2-1318120-3            |
|          | 8.9            | 8.3            | 5            | 2            | 3            | 1-1318120-3            |
| FINISH   | C              | B              | A            | N            | POS          | PART NUMBER            |

THIS DRAWING IS A CONTROLLED DOCUMENT FOR AMP INCORPORATED. IT IS SUBJECT TO CHANGE AND THE CONTROLLING ENGINEERING ORGANIZATION SHOULD BE CONTACTED FOR THE LATEST REVISION.

DWN: K. IKEDA 7/DEC/98  
CHK: N. MATSUBARA 7/DEC/98  
APVD: I. HASEGAWA 7/DEC/98

Tyco Electronics Corporation  
Kawasaki, Japan

1列 リセハウジング  
SINGLE ROW  
<DYNAMIC D-2100D>

PRODUCT SPEC: 108-5619  
APPLICATION SPEC: 114-5258

SIZE: A3 CAGE CODE: 00779 DRAWING NO: C-1318120 RESTRICTED TO: -

MATERIAL: ① FINISH: ①

CUSTOMER DRAWING SCALE: 4-1 SHEET: 1 OF 1 REV: B1