

CAPE+

Locked Person Alarm Box Open Door Alarm

The CAPE+ is composed of 2 parts:

- The punch with emergency button constantly illuminated, to be installed inside the cold room,
- The box with an audible and visual alarm that is placed outside the room.

In the case of a power failure, the box is powered by the sealed lead battery. Its principal function is to indicate the presence of a person confined in conformity with the NFE 35400 norm.



It can also alert in case of
an open door and gas leak
(via an optional LKD detector)

Rapport d'essai N°: 31481

Date: 14 MAI 2018

Lieu de l'essai: DICEP EMC- Laboratoire CEM
3, Allée du pont Romain
25600 BROGNARD

Matériel testé: Coffret Alarme Personne enfermée
CAPE +

Fabricant: ELIWELL
310 boulevard Charles de Gaulle
92390 Villeneuve La Garenne.

Caractéristiques électriques de l'appareil: 220-240Vac 50/60Hz

Rédaction: A.PERUGINI **Visa:**

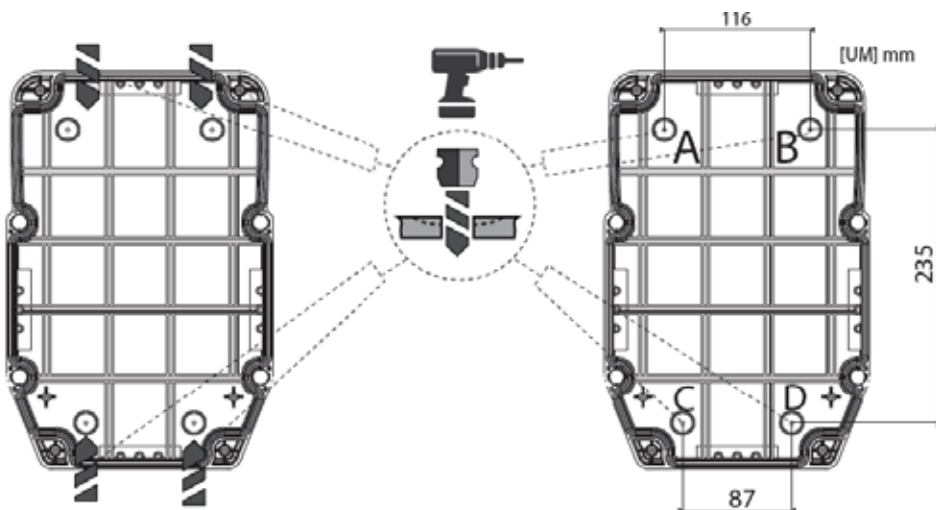
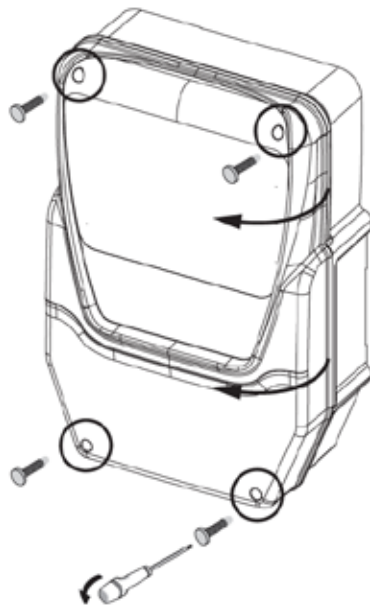
Approbation: J.D. CHARBONNIER **Visa:**



*La reproduction de ce rapport d'essai n'est autorisée que sous sa forme intégrale.
Une reproduction partielle ne peut être réalisée
qu'avec l'autorisation expresse du Laboratoire CEM de DICEP EMC*

MECHANICAL ASSEMBLY

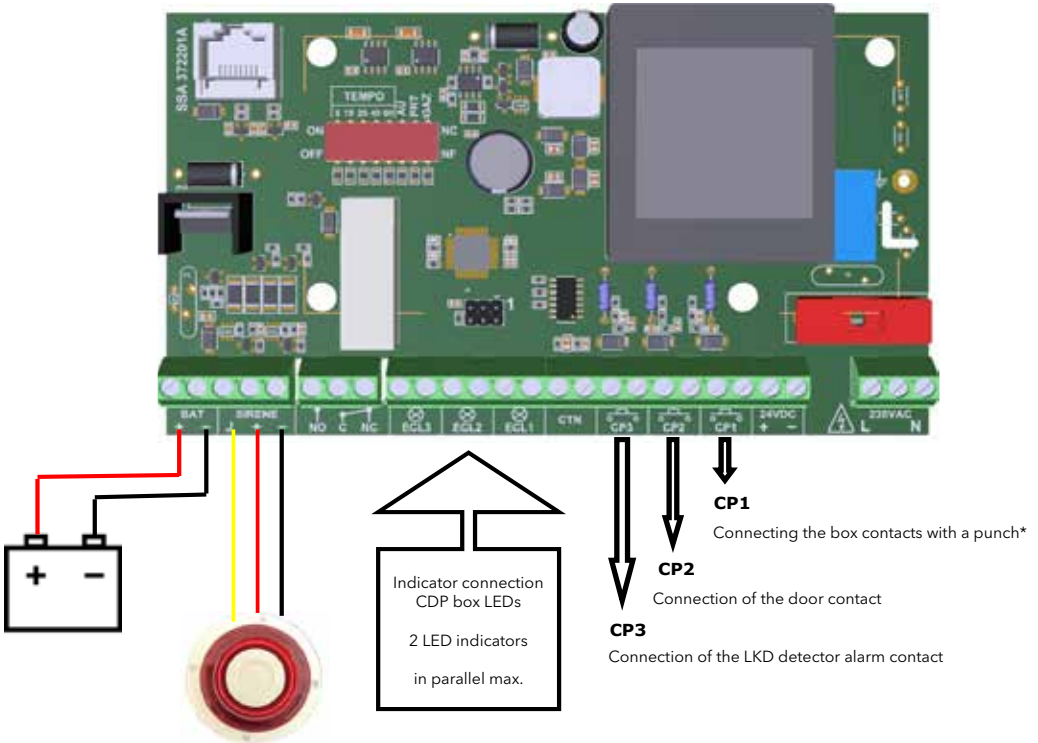
- **Remove the 4 screws** provided and open the cover.
- **Drill the holes** for the high and low voltage glands laterally on the box base as shown.
- **Check that the wires** are inside the box.
- **Use cable glands** and/or tube wall bushings to ensure that all wiring is tightly sealed.
- **Drill 4 holes** (see A...D) in the wall and fix the box base with 4 screws (not included) adapted to the wall thickness.
- **Close the flap**, then reassemble and tighten the 4 screws of the cover.



ELECTRICAL DIAGRAM



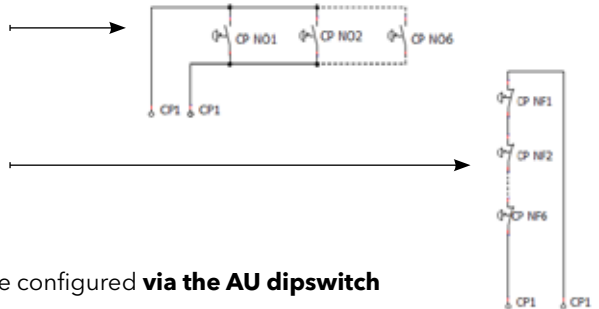
**WHEN STARTING UP, CONNECT THE RED WIRE TO THE "BAT +" CONNECTION.
DO NOT SHORT CIRCUIT THE BATTERY OR REVERSE THE WIRES: RISK OF DAMAGE.**



Warning! Work on the electrical connections must be carried out if and only if the device is OFF VOLTAGE.

Screw terminal block I max. 10A per point @25°C Cable cross-section: 0.75 mm² to 1.5 mm²
Tightening torque: 0.5 Nm Number of wires per cage: 2 max (1 recommended)

* If you connect NO contacts (Normally Open), they must be connected in parallel (see opposite).



If you connect NC contacts (Normally Closed), they must be connected in series (see opposite).

In both cases: **maximum 6 contacts**

The type of contact (NO or NC) can be configured **via the AU dipswitch**

CAPE+ Technical specifications

CAPE+ box

- Power supply: 230Vac \pm 20% 50/60Hz
Integrated microswitch management
- Relay output Type : Relay 1NO + 1NF
- Switched current: 8A / 275Vac
($\cos \varphi = 1$), 5A/275Vac ($\cos \varphi = 0,6$)
- Contact / coil insulation: 4000Vac
- 3 digital inputs
- Inputs numbering 3 of TOR
- Protection: EMI filtering
- BUZZER output Voltage: 12V
- Power: 3W
- Operating temperature:
-20 °C to +60 °C
- Storage temperature:
-40 °C to +85 °C
- Humidity: 0 to 95% RH non-condensed
- IP degree: IP 44
- Standards: Complies with standard
35400, 89/336/EEC modified by 99/5/
EEC, 73/23/EEC modified by 93/68/EEC
UL94V0 components

Punching

- Power supply: Via CAPE +
- Contact: NC (Normally closed)
- Length: 74 mm
Width: 68 mm
Depth: 62 mm
- Ambient temperature for storage: -40...70 °C
- Operating temperature : -40...70 °C
- Degree of protection IP: IP66 to comply with IEC 60529, IP67, IP69, IP69K

SETTINGS

Person Locked Alarm Function

The type of contact (NO or NC) can be configured **via the AU dipswitch.**

Open door alarm function

The type of door contact (NO or NC) can be configured **via the PRT dipswitch.**

The time delay is set via the dipswitches 2,4,8,16,32 according to the table below.

SETTINGS

| Nb of combination | Switch positions (Delay combination from 0 to 62 min) | | | | | | | | | | | | | | | | | | | | | | | | | | | | | | | |
|-------------------|---|---|---|---|---|----|----|----|----|----|----|----|----|----|----|----|----|----|----|----|----|----|----|----|----|----|----|----|----|----|----|----|
| | 1 | 2 | 3 | 4 | 5 | 6 | 7 | 8 | 9 | 10 | 11 | 12 | 13 | 14 | 15 | 16 | 17 | 18 | 19 | 20 | 21 | 22 | 23 | 24 | 25 | 26 | 27 | 28 | 29 | 30 | 31 | 32 |
| 2 | 0 | 1 | 0 | 1 | 0 | 1 | 0 | 1 | 0 | 1 | 0 | 1 | 0 | 1 | 0 | 1 | 0 | 1 | 0 | 1 | 0 | 1 | 0 | 1 | 0 | 1 | 0 | 1 | 0 | 1 | 0 | 1 |
| 4 | 0 | 0 | 1 | 1 | 0 | 0 | 1 | 1 | 0 | 0 | 1 | 1 | 0 | 0 | 1 | 1 | 0 | 0 | 1 | 1 | 0 | 0 | 1 | 1 | 0 | 0 | 1 | 1 | 0 | 0 | 1 | 1 |
| 8 | 0 | 0 | 0 | 0 | 1 | 1 | 1 | 1 | 0 | 0 | 0 | 0 | 1 | 1 | 1 | 1 | 0 | 0 | 0 | 0 | 1 | 1 | 1 | 1 | 0 | 0 | 0 | 0 | 1 | 1 | 1 | 1 |
| 16 | 0 | 0 | 0 | 0 | 0 | 0 | 0 | 0 | 1 | 1 | 1 | 1 | 1 | 1 | 1 | 1 | 0 | 0 | 0 | 0 | 0 | 0 | 0 | 0 | 0 | 1 | 1 | 1 | 1 | 1 | 1 | 1 |
| 32 | 0 | 0 | 0 | 0 | 0 | 0 | 0 | 0 | 0 | 0 | 0 | 0 | 0 | 0 | 0 | 0 | 1 | 1 | 1 | 1 | 1 | 1 | 1 | 1 | 1 | 1 | 1 | 1 | 1 | 1 | 1 | 1 |
| Value in min | 0 | 2 | 4 | 6 | 8 | 10 | 12 | 14 | 16 | 18 | 20 | 22 | 24 | 26 | 28 | 30 | 32 | 34 | 36 | 38 | 40 | 42 | 44 | 46 | 48 | 50 | 52 | 54 | 56 | 58 | 60 | 62 |

Refrigerant gas leak detection function (optional).

The type of contact (NO or NC) can be configured via the GZ dipswitch.



Any changes in contact polarity must be carried out without power (mains or battery)



| Mode of operation | AU | PRT | GAS |
|---|----|-----|-----|
| Punch NO / Door contact NO / Gas detection NO | NO | NO | NO |
| Punch NO / Door contact NO / Gas detection NC | NO | NO | NC |
| Punch NO / Door contact NC / Gas detection NO | NO | NC | NO |
| Punch NO / Door contact NC / Gas detection NC | NO | NC | NC |
| Punch NC / Door contact NO / Gas detection NO | NC | NO | NO |
| Punch NC / Door contact NO / Gas detection NC | NC | NO | NC |
| Punch NC / Door contact NC / Gas detection NO | NC | NC | NO |
| Punch NC / Door contact NC / Gas detection NC | NC | NC | NC |

NO: Normally Open Contact
NC: Normally Closed Contact

Attention:

- NO: Open contact=No alarm
Contact closed=Alarm
- NC: Contact closed=No alarm
Contact open=Alarm

ALARM REPORTING

Alarms are reported according to the table below:

| Alarm type | Triggering by | Siren | Indicator light |
|------------------|------------------------------------|-------------------------------|-----------------------------------|
| Person locked up | Punching | Permanent 110 dB | Permanent flash light |
| Door open | Door contact and end of delay time | Intermittence every 3 seconds | Intermittent flashes of 3 seconds |
| Gas Leakage | LKD box alarm output | Permanent 110 dB | Permanent flash light |
| Low battery | Low battery level | Silent | Permanent flash light |

Battery life:

In the event of a battery alarm, the guaranteed autonomy is 18 hours with a charged battery and 6 punches.

IMPORTANT INFORMATION

It is recommended to check the battery charge annually



!!! Battery replacement every 3 years !!!



| Voltage value | Conclusion | Action |
|-----------------------|----------------------|---------------------|
| < 10,5V | Battery out of order | To be replaced |
| Between 12V and 12,6V | Battery OK | Plan the next check |
| More than 15V | Overcharged battery | Contact us |

OPTIONS & ACCESSORIES

- GAS DETECTOR TYPE - LKD100/200
(See Eliwell catalogue)
- DOOR CONTACT - Ref. OsiSense XC standard
(See Eliwell catalogue)
- SPARE BATTERY KIT FOR CAPE



Digital catalogue





310, boulevard Charles de Gaulle
92390 VILLENEUVE-LA-GARENNE

Phone : +33 (0)1 41 47 71 61

Fax : +33 (0)1 47 99 95 95

www.eliwell.fr

eliwell
FRANCE