

Datasheet

Insulated Crimp Spade Connector, 12 → 10 AWG, M5, Yellow Vinyl

RS Stock number [534-480](#)



Specifications:

1. **Maximum Electric Rating:** 75°C 600V

最高溫度: 75°C 耐壓 600V

2. **Maximum Electric Current:** (最大電流)

22-16AWG / 0.5-1.5mm²: 19A

16-14AWG / 1.5-2.5mm²: 27A

12-10AWG / 4-6mm²: 48A

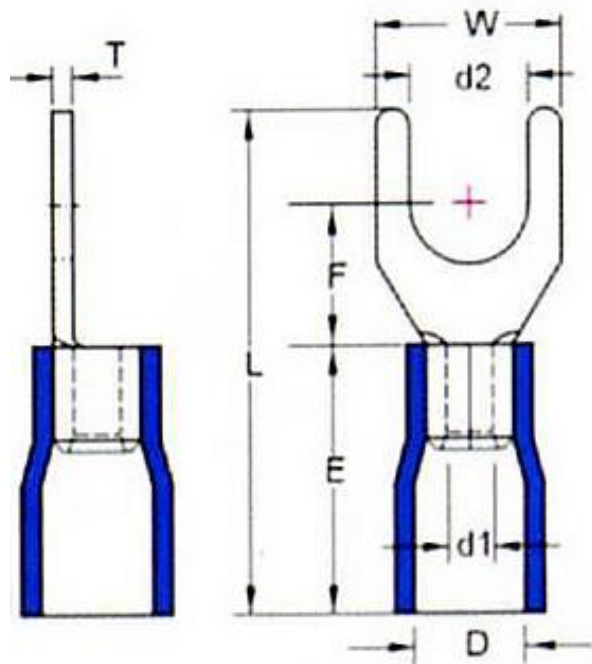
3. **Terminal Body:** Copper (端子材質: 紅銅)

4. **Insulation:** Vinyl (護套材質: PVC)

5. **Plating:** Tin (表面處理: 鍍錫)

VM—Flared Vinyl without copper sleeve

PIPG—Pre-insulated funnel Vinyl insulator with easy entry copper sleeve



Insulation Colour	Wire Range Mm ² /Awg	Stud Size	Dimension (mm)
Yellow	4-6mm ² /12-10AWG	#10/5.3	9.5/8.0/26.3/6.5/3.5/1.0