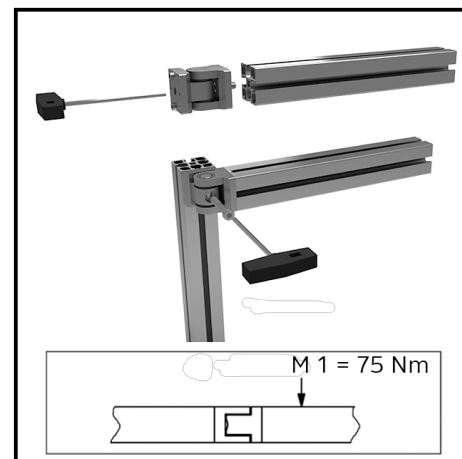
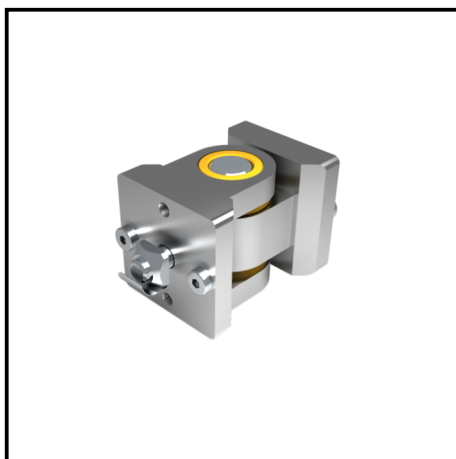
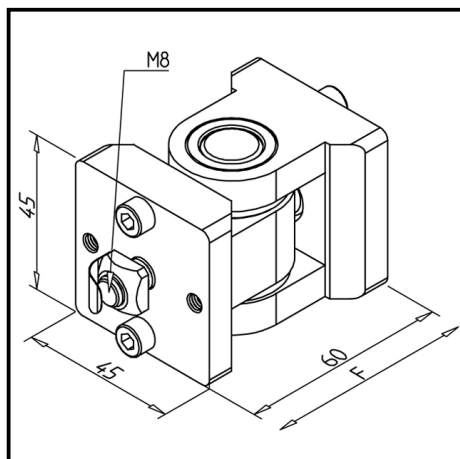


# SWIVEL LINK 45 HEAVY DUTY

Article Nr. 21.2034/0

[See the product on the website](#) →

[Download CAD Files](#) →



## TECHN. DATA / ITEMS SUPPLIED

- Steel, galvanized
- With fastening material steel, zinc plated
- With low-friction sliding bearing
- Locking device against torsion
- Load  $F_{\max}$  3500 N
- Load M1 max 75 Nm
- Weight = 0.680 kg/piece

## APPLICATIONS

- Heavy duty swing doors, storage of moving parts
- Not lockable
- For heavy loads use multiple hinges

## ASSEMBLY

- Attach the first joint half to the profile strut on the face side
- Fasten the second joint half to the supporting frame