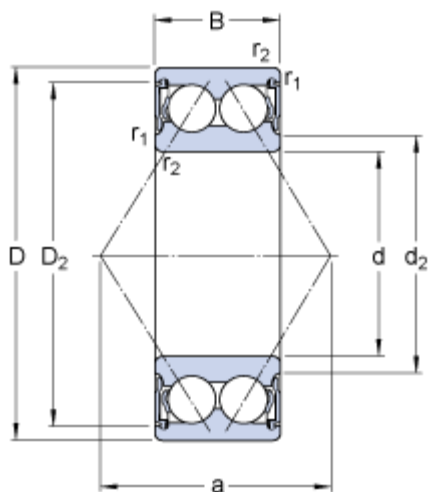


3302 A-2RS1TN9/MT33

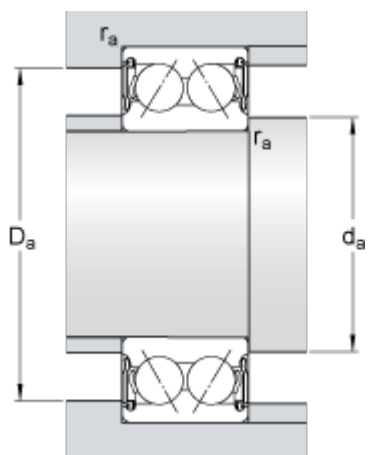
Popular item

Dimensions



d	15	mm
D	42	mm
B	19	mm
d ₂	≈ 23.7	mm
D ₂	≈ 35.65	mm
r _{1,2}	min. 1	mm
a	24	mm

Abutment dimensions



d _a	min. 20.6	mm
d _a	max. 23.5	mm
D _a	max. 36.4	mm
r _a	max. 1	mm

Calculation data

Basic dynamic load rating	C	15.1	kN
Basic static load rating	C ₀	9.3	kN
Fatigue load limit	P _u	0.4	kN
Limiting speed		12000	r/min
Calculation factor	k _r	0.07	
Calculation factor	e	0.8	
Calculation factor	X	0.63	
Calculation factor	Y ₀	0.66	
Calculation factor	Y ₁	0.78	
Calculation factor	Y ₂	1.24	

Mass

Mass bearing		0.13	kg
--------------	--	------	----

