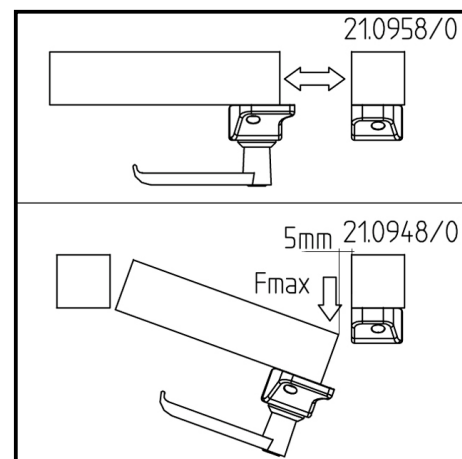
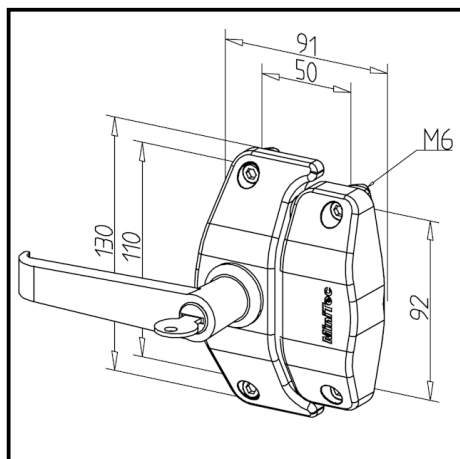


ROTARY LOCK 45

Article Nr. 21.0948/0

See the product on the website →

Download CAD Files →



TECHN. DATA / ITEMS SUPPLIED

- With fastening material steel, zinc plated
- Mounted handle: see **part no.** [21.2305/0](#)
- Fmax. 2200 N
- Weight = 0.476 kg/piece

APPLICATIONS

- Rotary lock 45 for swivel doors: **part no.** [21.0948/0](#)
- Sliding door lock 45 for sliding doors **part no.** [21.0958/0](#)
- Locking of doors and panels
- No profile finishing required
- Position moveable

ASSEMBLY

- Fasten to profile groove with supplied hardware
- Fastening on profile groove - without processing/boring of profiles
- No separate door stop required