

type no.:

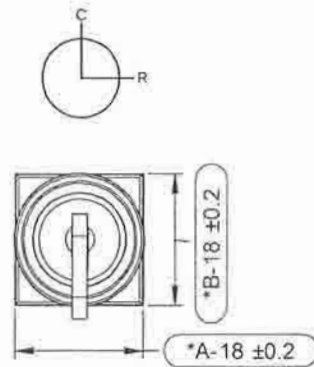
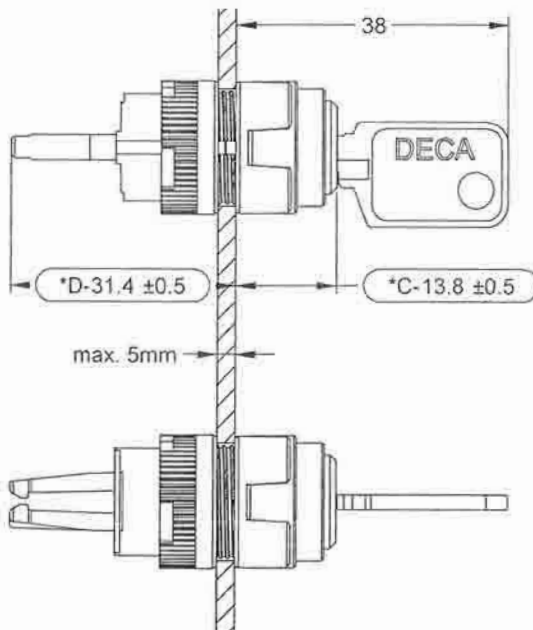
ADA16K6-AR0-XA

RoHS  
Compliant

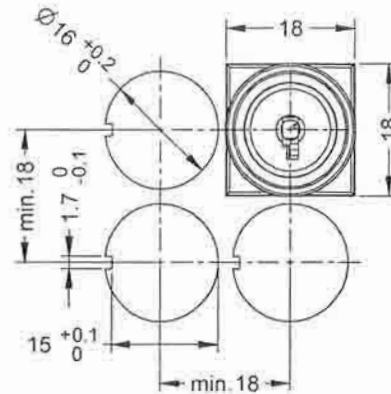


order no.: ADA16K6-AR0-XA/004 (with square bezel)

Keylock Switch Operator



Hole Dia



Product Specifications

- Mechanical lifetime : >0.2 million operations
- Motion tolerance : <20 operation/min
- Panel thickness : 0.5 ~ 5 mm
- Degree of protection : IP 65
- Storage temperature : -40°C to +70°C
- Operating temperature: -25°C to +55°C  
(-25°C to +70°C without lamp)

文件管制  
NR 11.011  
文管中心



CONFIRMED & ACCEPTED BY:			
DRAWING NO.	ADA16K6-AR0-XA/004	VERSION	A
SHEET OF	2/2	CONFIRMED BY	<i>W. J. J.</i>
METRIC	MM	GENERAL MANAGER	<i>J. O. L.</i>
DRAWN BY	<i>K. J.</i>	DATE	2011/04/14