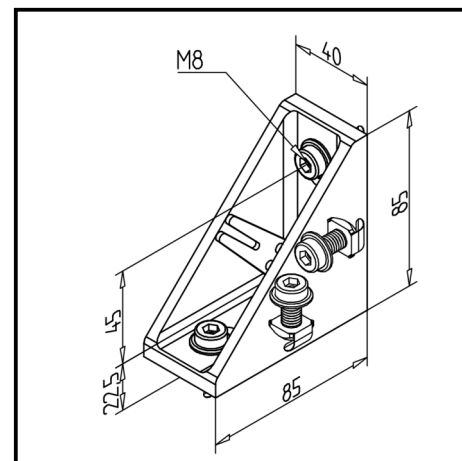
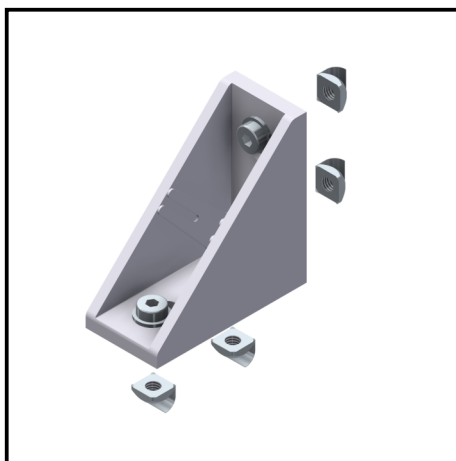
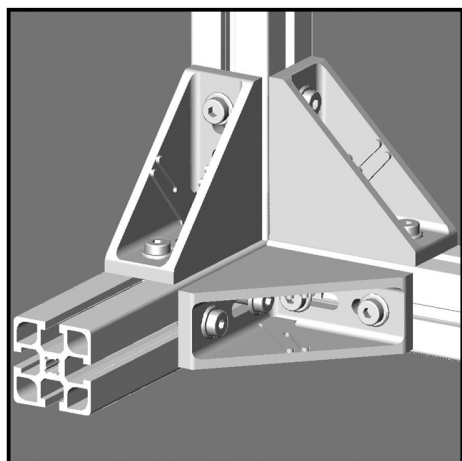


MOUNTING ANGLE 45X90 GD-Z CONDUCTIVE

Article Nr. 21.1397/8

[See the product on the website](#) →



TECHN. DATA / ITEMS SUPPLIED

- Aluminium, Pressure die-casting, blasted
- With fastening material steel, zinc plated
- Weight = 0.281 kg/piece

APPLICATIONS

- General constructions, particularly for subsequent insertion of profiles into existing constructions
- Fastening of surface elements, table tops
- Strengthening of profile constructions

ASSEMBLY

- Fasten to profile groove with supplied hardware
- Recommended locking torque: 20 Nm