



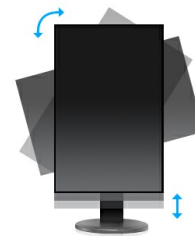
27" IPS monitor with ultra flat front and height adjustable stand

ProLite XUB2790HS is a 27" LED monitor with latest IPS Panel technology considered to be the best all round panel type. It offers accurate and consistent colour reproduction with wide viewing angles and a fast response time. A truly ergonomic stand including pivot function makes the XUB2790HS an excellent choice for photographic design, web design, standard office use. It's the perfect choice for multi-monitor applications.



IPS

IPS technology offers higher contrast, darker blacks and much better viewing angles than standard TN technology. The screen will look good no matter what angle you look at it.



HAS + Pivot

With a height adjustable stand you will create an ergonomic work posture and position that meets all health and safety requirements. This will not only prevent any health issues but will also increase your productivity. The pivot function allows the screen to rotate from landscape to portrait orientation. This functionality can be useful if the application requires more height than width.

01 DISPLAY CHARACTERISTICS

Design	ultra slim
Diagonal	27", 68.6cm
Panel	AH-IPS LED, matte finish
Native resolution	1920 x 1080 (2.1 megapixel Full HD)
Aspect ratio	16:9
Brightness	250 cd/m ² typical
Static contrast	1000:1 typical
Advanced contrast	5M:1
Response time	4ms
Viewing zone	horizontal/vertical: 178°/178°, right/left: 89°/89°, up/down: 89°/89°
Colour support	16.7mIn 8bit (6bit + Hi-FRC) (sRGB: 99%; NTSC: 72%)
Horizontal Sync	24 - 80KHz
Vertical Sync	56 - 75Hz
Viewable area W x H	597.9 x 336.3mm, 23.5 x 13.2"
Pixel pitch	0.311mm
Colour	matte, black

02 INTERFACES / CONNECTORS / CONTROLS

Signal input	VGA x1 DVI x1 HDMI x1
HDCP	yes
Headphone connector	yes

03 FEATURES

Blue light reducer	yes
OSD languages	EN, DE, FR, ES, IT, PT, CN, RU, JP
Control buttons	Power, Menu, +/- Volume, -/ ECO, Auto
User controls	luminance (contrast, brightness, i-style Colour, ACR, ECO), image steep (clock, phase, H. position, V. position, aspect), colour (gamma, colour temp.), OSD setup (H. position, V. position, OSD time out, language), extra (reset, DDC/CI, input select, OD, HDMI audio, opening logo, information), volume, auto adjust
Speakers	2 x 2W
Convenience	Kensington-lock™ prepared, DDC/CI, DDC2B, Mac OSX

04 MECHANICAL

Display position adjustments	height, pivot (rotation), swivel, tilt
Height adjustment	130mm
Rotation (PIVOT function)	90°
Swivel stand	90°; 45° left; 45° right
Tilt angle	20° up; 4° down
VESA mounting	100 x 100mm

05 ACCESSORIES INCLUDED

Cables	power, DVI, Audio
--------	-------------------

Other

quick start guide, safety guide

06 POWER MANAGEMENT

Power supply unit

internal

Power supply

AC 100 - 240V, 50/60Hz

Power usage

27W typical, 0.5W stand by, 0.5W off mode

07 SUSTAINABILITY

Regulations

CE, TÜV-Bauart, VCCI-B, Energy Star , CU

Energy efficiency class

A

EPEAT Silver

EPEAT is a comprehensive environmental rating that helps identify greener computers and other electronic equipment. The Silver certification means the monitor meets all required criteria plus at least 50% of the optional requirements. EPEAT Silver is valid in countries where iiyama registers the product. Please visit www.epeat.net for the registration status in your country.

Other

REACH SVHC above 0.1%: Lead

08 DIMENSIONS / WEIGHT

Product dimensions W x H x D

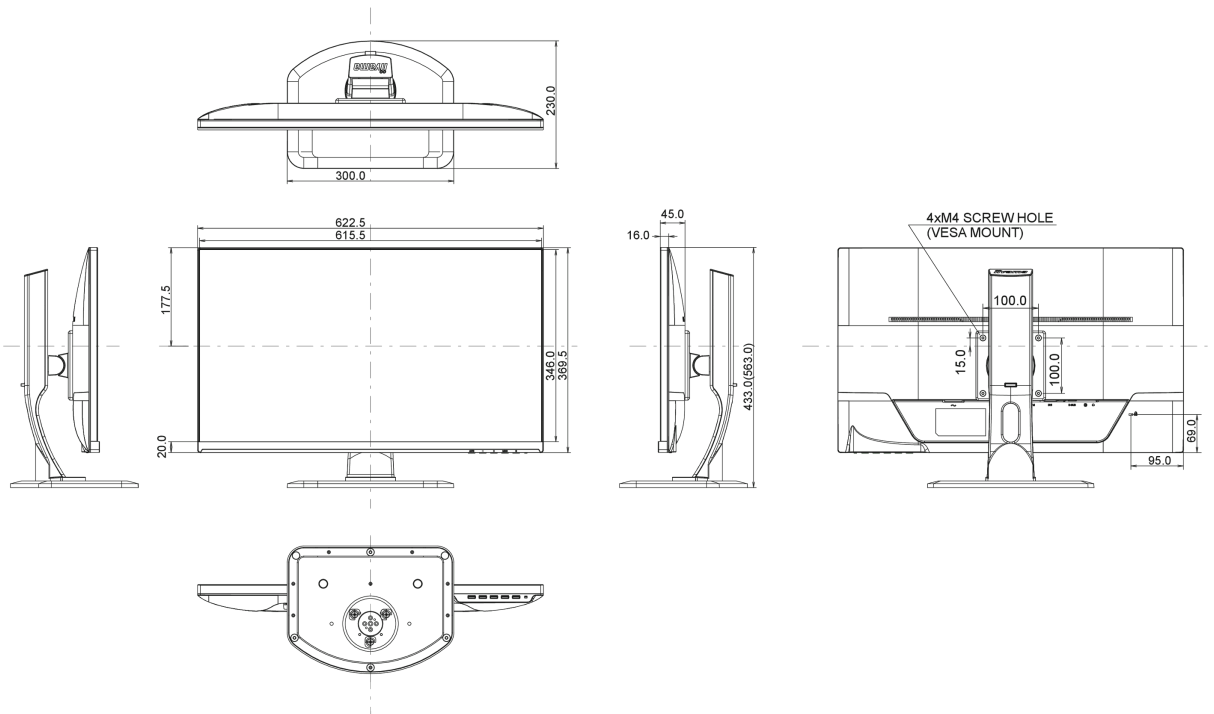
622.5 x 433 (563) x 230mm

Weight (without box)

6.5kg

EAN code

4948570113064



10 EU ENERGY EFFICIENCY LABEL

Manufacturer

iiyama

Model

ProLite XUB2790HS-B1

Energy efficiency class	A
Visible screen diagonal	69cm; 27"; (27" segment)
ON mode power consumption	27.1W
Annual energy consumption	40kWh/annum*
Power in Standby	0.5W stand by
Power in OFF Mode	0.5W off mode
Resolution	1920 x 1080

*This is information under Regulation (EU) No 1062/2010.*Based on the power consumption of the television operating 4 hours per day for 365 days. The actual energy consumption will depend on how the television is used.*

All trademarks and registered trademarks acknowledged. E & O E. Specification subject to change without notice. All LCD's comply with ISO-9241-307:2008 in connection with pixel defects.

© IIYAMA CORPORATION. ALL RIGHTS RESERVED