

Siemens
EcoTech



digital monitoring relay current, active current, voltage, cos-phi and performance monitoring with Bluetooth up to 690 V AC/DC up to 15 A supply voltage 24 ... 240 V AC/DC, 50 .. 60 Hz ON delay and tripping delay 0.1..999.9 s 2 changeover contacts spring-loaded terminal

product brand name	SIRIUS
product designation	Network monitoring relay with digital setting
design of the product	monitoring of current, active current, voltage, power factor and power, externally powered with auxiliary voltage with Bluetooth
product type designation	3UG5
General technical data	
product function	network monitoring relay with digital setting
design of the display	LCD
insulation voltage for overvoltage category III according to IEC 60664	
• with degree of pollution 2 rated value	690 V
• with degree of pollution 3 rated value	690 V
degree of pollution	3
surge voltage resistance rated value	6 kV
shock resistance according to IEC 60068-2-27	sinusoidal half-wave 15g / 11 ms
vibration resistance according to IEC 60068-2-6	f = 4 ... 5,81 Hz, dmax = 15 mm; f = 5,81 ... 500 Hz, Amax = 20 m/s ² ; 10 cycles
mechanical service life (operating cycles) typical	10 000 000
electrical endurance (operating cycles) at AC-15 at 230 V typical	100 000
thermal current of the switching element with contacts maximum	5 A
reference code according to IEC 81346-2	K
Substance Prohibitance (Date)	06/01/2023
SVHC substance name	Lead - 7439-92-1 Lead monoxide (lead oxide) - 1317-36-8 6,6'-di-tert-butyl-2,2'-methylenedi-p-cresol - 119-47-1 Diboron trioxide - 1303-86-2
Net Weight	0.176 kg
Product Function	
product function	
• overcurrent detection 1 phase	Yes
• undercurrent detection 1 phase	Yes
• adjustable open/closed-circuit current principle	Yes
• auto-RESET	Yes
• manual RESET	Yes
Control circuit/ Control	
type of voltage of the control supply voltage	AC/DC
control supply voltage rated value	24 ... 240 V
control supply voltage at AC	

<ul style="list-style-type: none"> • at 50 Hz rated value 	24 ... 240 V
<ul style="list-style-type: none"> • at 60 Hz rated value 	24 ... 240 V
control supply voltage at DC rated value	24 ... 240 V
supply voltage frequency for auxiliary and control circuit rated value	50 ... 60 Hz
operating range factor control supply voltage rated value at DC	
<ul style="list-style-type: none"> • initial value 	0.85
<ul style="list-style-type: none"> • full-scale value 	1.1
operating range factor control supply voltage rated value at AC at 50 Hz	
<ul style="list-style-type: none"> • initial value 	0.85
<ul style="list-style-type: none"> • full-scale value 	1.1
operating range factor control supply voltage rated value at AC at 60 Hz	
<ul style="list-style-type: none"> • initial value 	0.85
<ul style="list-style-type: none"> • full-scale value 	1.1
Supply voltage	
supply voltage frequency rated value	60 ... 50 Hz
Interfaces	
design of the interface bluetooth	Yes
Measuring circuit	
type of current for monitoring	AC/DC
measurable current	0.003 ... 10 A
measurable voltage at AC	0.1 ... 760 V
adjustable current response value current limited to 5 s	15 A
adjustable response delay time	
<ul style="list-style-type: none"> • when starting 	0 ... 999.9 s
<ul style="list-style-type: none"> • with lower or upper limit violation 	0 ... 999.9 s
adjustable switching hysteresis for measured current value	0 ... 5 000 mA
accuracy of digital display	+/-1 digit
Communication/ Protocol	
protocol is supported IO-Link protocol	No
Auxiliary circuit	
number of NC contacts delayed switching	0
number of NO contacts delayed switching	0
number of CO contacts delayed switching	2
Main circuit	
number of poles for main current circuit	1
operating voltage rated value	24 ... 240 V
ampacity of the output relay at AC-15	
<ul style="list-style-type: none"> • at 250 V at 50/60 Hz 	3 A
<ul style="list-style-type: none"> • at 400 V at 50/60 Hz 	3 A
ampacity of the output relay at DC-13	
<ul style="list-style-type: none"> • at 24 V 	1 A
<ul style="list-style-type: none"> • at 125 V 	0.2 A
<ul style="list-style-type: none"> • at 250 V 	0.1 A
operational current at 17 V minimum	5 mA
continuous current of the DIAZED fuse link of the output relay	6 A
Galvanic isolation	
galvanic isolation	
<ul style="list-style-type: none"> • between input and output 	Yes
<ul style="list-style-type: none"> • between the outputs 	Yes
<ul style="list-style-type: none"> • between the voltage supply and other circuits 	Yes
Connections/ Terminals	
product component removable terminal for auxiliary and control circuit	Yes
type of electrical connection	spring-loaded terminal (push-in)
type of connectable conductor cross-sections	

<ul style="list-style-type: none"> • solid • finely stranded with core end processing • finely stranded without core end processing • for AWG cables solid • for AWG cables stranded 	<p>1x (0.5 ... 4 mm²)</p> <p>1x (0.5 ... 2.5 mm²)</p> <p>0.5 ... 4 mm²</p> <p>1x (20 ... 12)</p> <p>20 ... 12</p>
connectable conductor cross-section <ul style="list-style-type: none"> • solid • finely stranded with core end processing • finely stranded without core end processing 	<p>0.5 ... 4 mm²</p> <p>0.5 ... 2.5 mm²</p> <p>0.5 ... 4 mm²</p>
AWG number as coded connectable conductor cross section <ul style="list-style-type: none"> • solid • stranded 	<p>20 ... 12</p> <p>20 ... 12</p>

Installation/ mounting/ dimensions

mounting position	any
fastening method	screw and snap-on mounting
height	100 mm
width	22.5 mm
depth	90 mm
required spacing <ul style="list-style-type: none"> • with side-by-side mounting <ul style="list-style-type: none"> — forwards — backwards — upwards — downwards — at the side • for grounded parts <ul style="list-style-type: none"> — forwards — backwards — upwards — at the side — downwards • for live parts <ul style="list-style-type: none"> — forwards — backwards — upwards — downwards — at the side 	<p>0 mm</p> <p>0 mm</p> <p>0 mm</p> <p>0 mm</p> <p>0 mm</p> <p>0 mm</p> <p>0 mm</p> <p>0 mm</p> <p>0 mm</p> <p>0 mm</p> <p>0 mm</p> <p>0 mm</p> <p>0 mm</p> <p>0 mm</p> <p>0 mm</p>

Ambient conditions

installation altitude at height above sea level maximum	2 000 m
ambient temperature <ul style="list-style-type: none"> • during operation • during storage • during transport 	<p>-25 ... +60 °C</p> <p>-40 ... +80 °C</p> <p>-40 ... +80 °C</p>

Approvals Certificates

Environment	General Product Approval
-------------	--------------------------



[Environmental Confirmations](#)



other

[Confirmation](#)



Further information

Information on the packaging

<https://support.industry.siemens.com/cs/ww/en/view/109813875>

Information for data generation and storage

<https://support.industry.siemens.com/cs/ww/en/view/109995012>

Information- and Downloadcenter (Catalogs, Brochures,...)

<https://www.siemens.com/ic10>

Industry Mall (Online ordering system)

<https://mall.industry.siemens.com/mall/en/en/Catalog/product?mlfb=3UG5742-2CW30>

Cax online generator

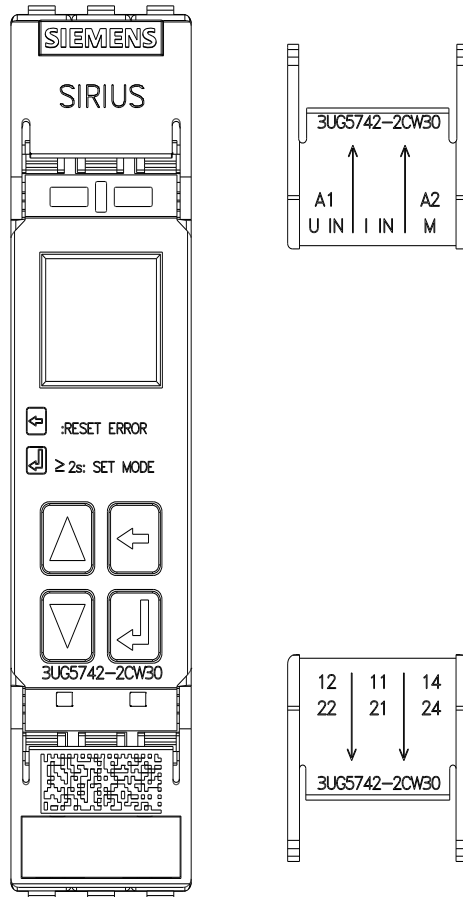
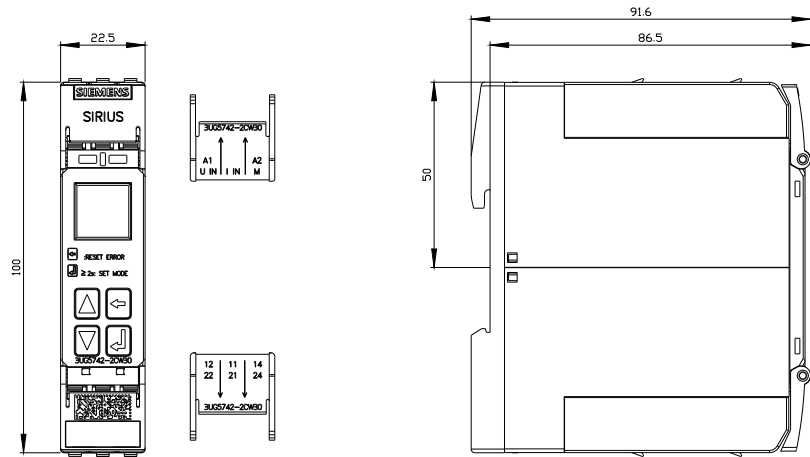
<https://support.automation.siemens.com/WW/CAXorder/default.aspx?lang=en&mlfb=3UG5742-2CW30>

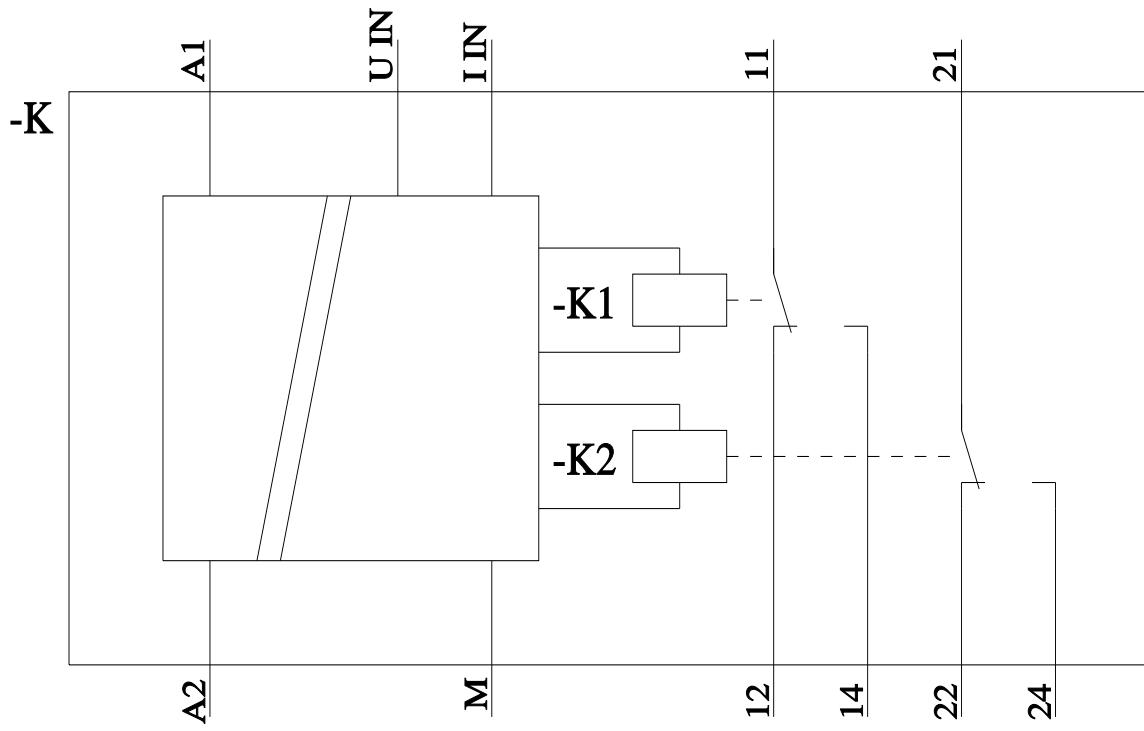
Service&Support (Manuals, Certificates, Characteristics, FAQs,...)

<https://support.industry.siemens.com/cs/ww/en/ps/3UG5742-2CW30>

Image database (product images, 2D dimension drawings, 3D models, device circuit diagrams, EPLAN macros, ...)

https://www.automation.siemens.com/bilddb/cax_de.aspx?mlfb=3UG5742-2CW30&lang=en





last modified:

11/25/2025 