



ENGLISH

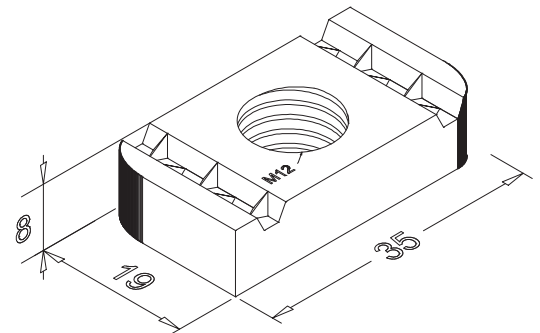
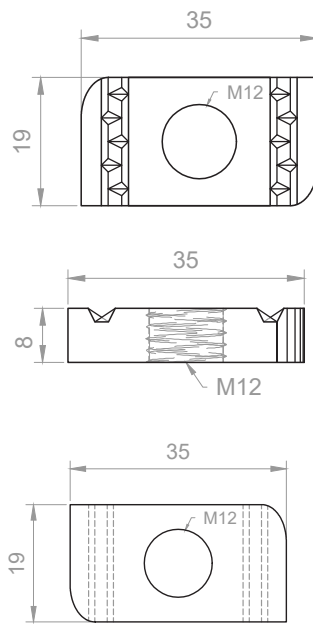
Datasheet

Plain Channel Nuts Bright Zinc Plated

RS Stock No **1766933**

Size **M12**

Channel nuts are commonly used for fitting brackets to channel/Strut, and are the ideal fixing for drops of threaded rod.



Please view our full range listing below

RS Stock No Size (mm)

1766942	M6
1766939	M8
1766936	M10
1766933	M12