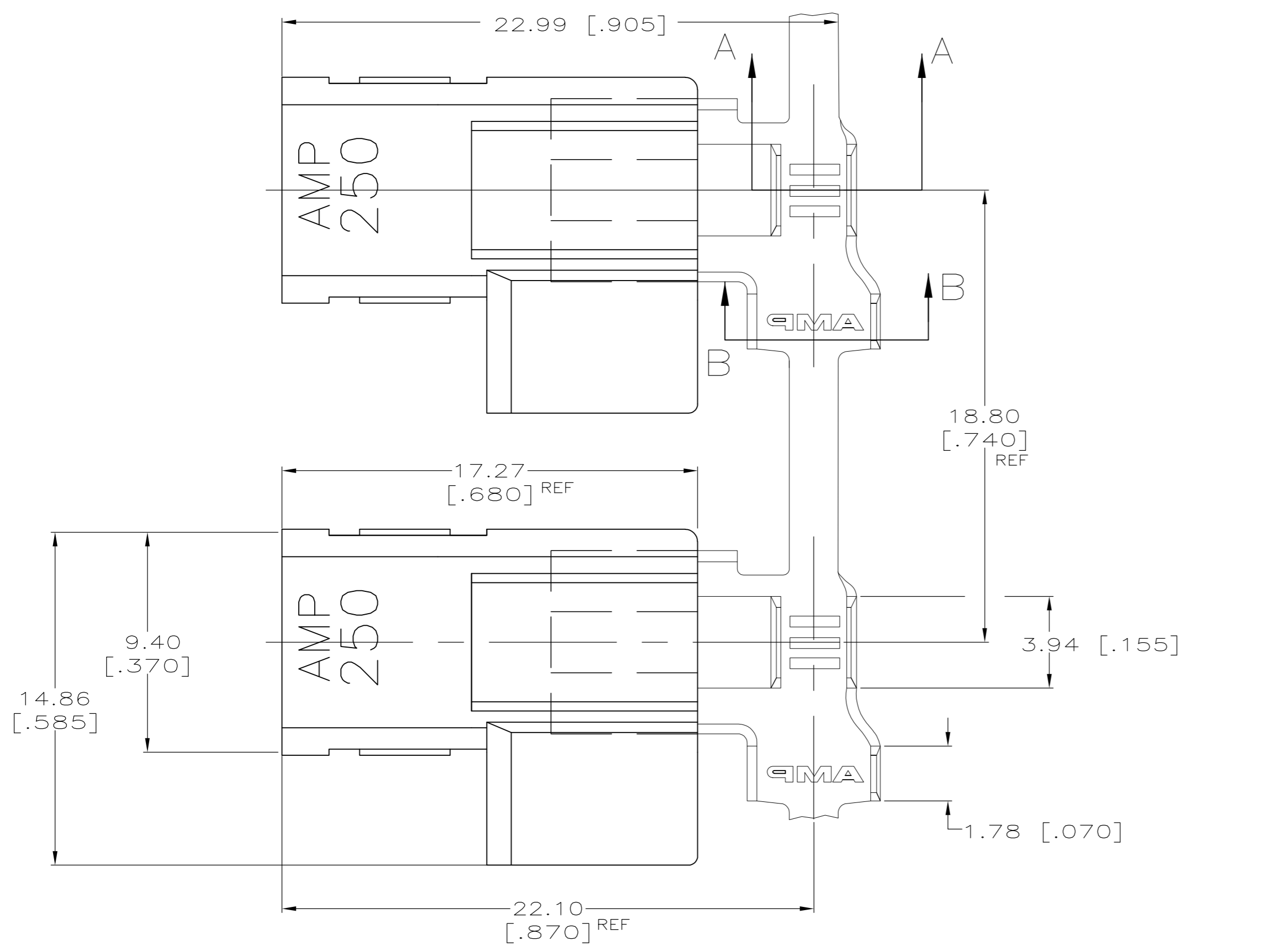
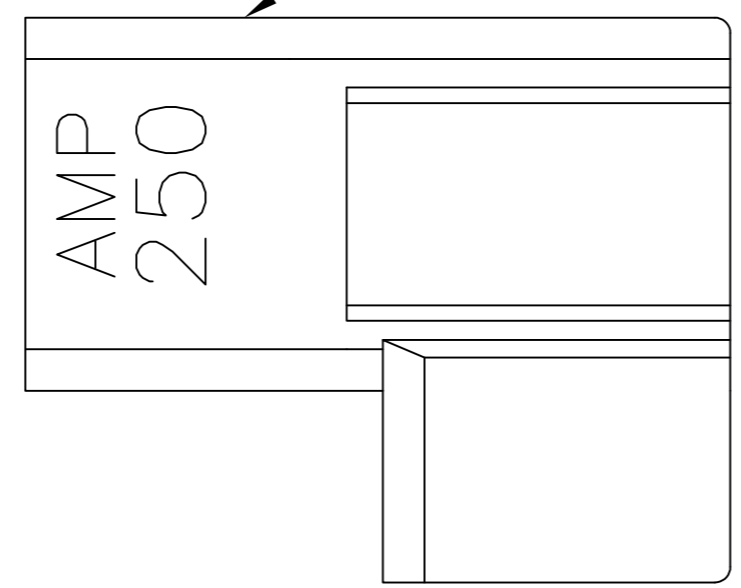
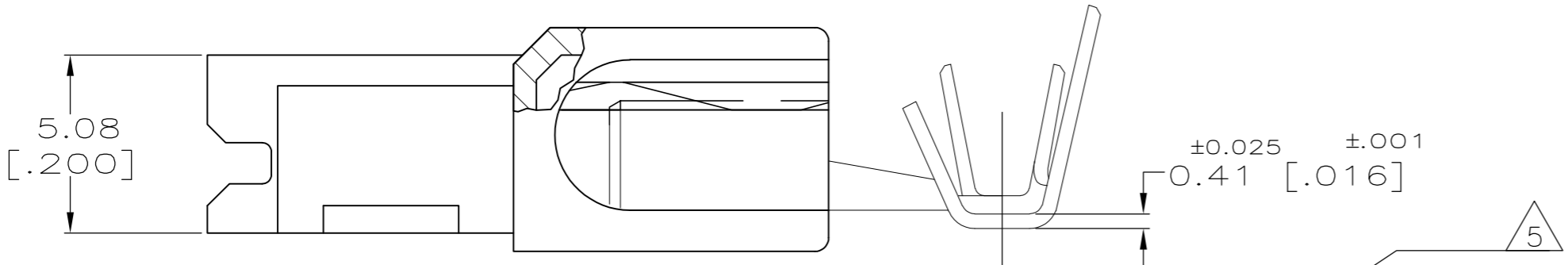
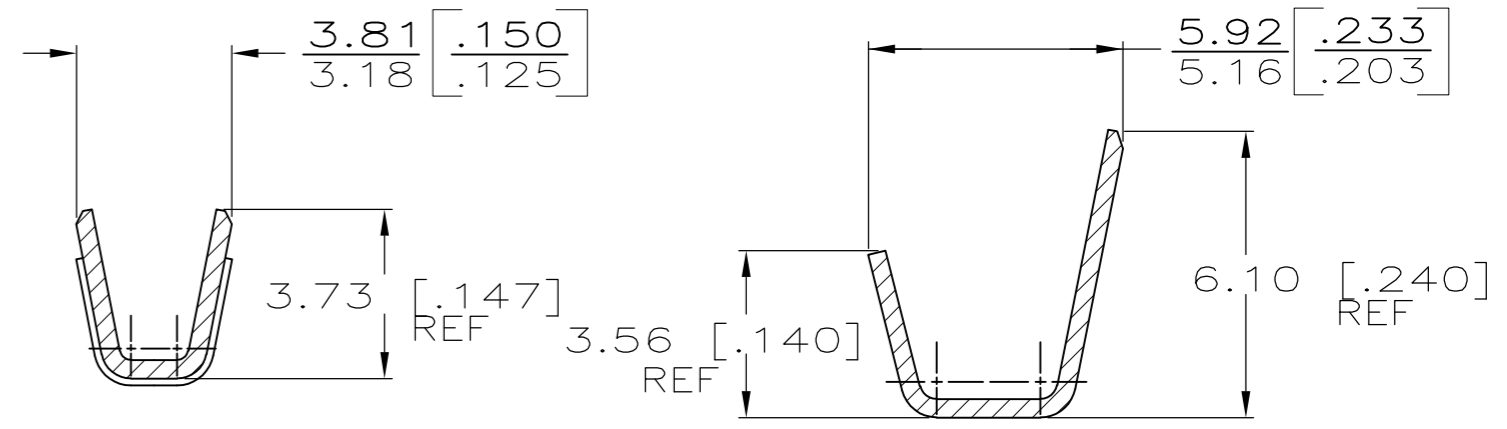


THIS DRAWING IS UNPUBLISHED. RELEASED FOR PUBLICATION  
 © COPYRIGHT - By - ALL RIGHTS RESERVED.

LOC		DIST		REVISIONS			
P	LTR	DESCRIPTION		DATE	DWN	APVD	
AF	50	W2	REVISED PER ECO-11-005027	11MAR11	RK	HMR	



- 1 USE FLAG FASTON TERMINAL BASE P/N 63559, IN THIS PRODUCT.
- 2 WIRE SIZE IS #18-#14 AWG
- 3 INSULATION RANGE IS 2.79-4.06 DIA [.110-.160] DIA.
- 4 FITS .250 X .032 THK FASTON TAB
- 5 ALTERNATIVE HOUSING FORM



OBS	BULK	6/6 NYLON / NATURAL	TIN PLATE - 4M HARD BRASS	5-520971-2
STANDARD		6/6 NYLON / BLACK	TIN PLATE - 4M HARD BRASS	520971-4
		6/6 NYLON / NATURAL	TIN PLATE - H03 HARD PHOS BRZ	520971-3
		6/6 NYLON / NATURAL	TIN PLATE - 4M HARD BRASS	520971-2
		6/6 NYLON / NATURAL	PLAIN - 4M HARD BRASS	520971-1
PACKAGING	HOUSING MATERIAL / COLOR		TERMINAL FINISH - MATERIAL	PART NO.
THIS DRAWING IS A CONTROLLED DOCUMENT.		DWN JR RUTH 1/9/90	TE Connectivity	
DIMENSIONS: INCHES		CHK MS FEHER 1/9/90	NAME D BRATINA 1/9/90	
TOLERANCES UNLESS OTHERWISE SPECIFIED:		APVD D BRATINA 1/9/90	PRODUCT SPEC 108-1285	
0 PLC ± -		APPLICATION SPEC 114-2124	SIZE A2	CAGE CODE 00779
1 PLC ± -		WEIGHT -	DRAWING NO C=520971	RESTRICTED TO -
2 PLC ± -		CUSTOMER DRAWING		
3 PLC ± 0.25 [.010]		SCALE 6:1	SHEET 1 of 1	REV W2
4 PLC ± -				
ANGLES ± -				
FINISH				
SEE TABLE				