

THIS DRAWING IS UNPUBLISHED.

RELEASED FOR PUBLICATION

© COPYRIGHT- BY TYCO ELECTRONICS CORPORATION. ALL RIGHTS RESERVED.

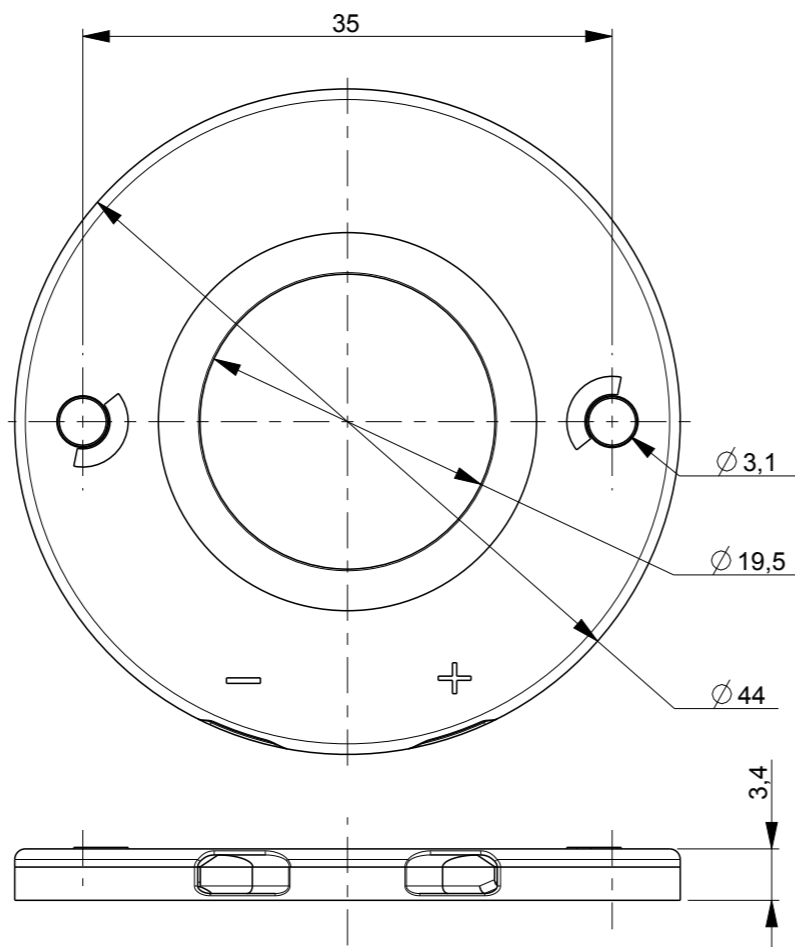
LOC H DIST -

REVISIONS

P	LTR	DESCRIPTION	DATE	DWN	APVD
	A	RELEASED PER ECR-13-012557	7-AUG-13	MVE	OL
-	-		-	-	-
-	-		-	-	-

NOTES:

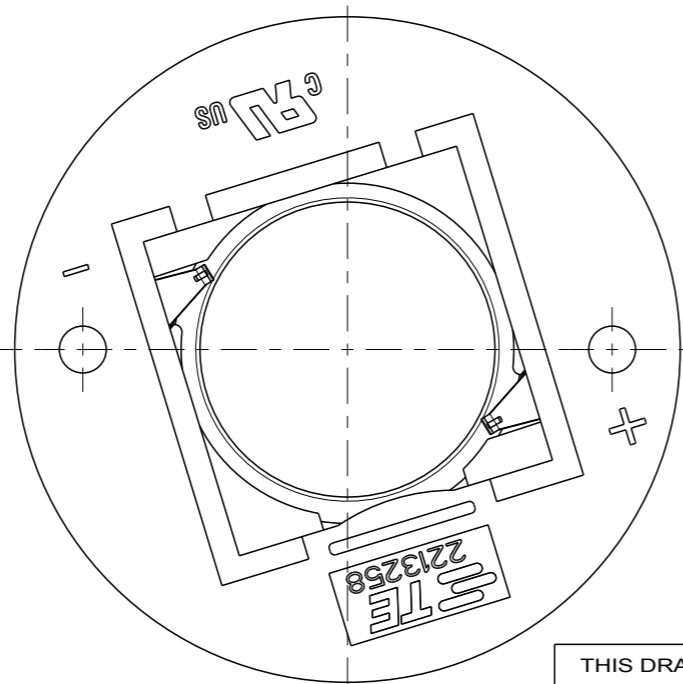
1. MATERIALS:  
HOUSING: GLASS FILLED PBT  
COLOR : NATURAL/WHITE  
CONTACTS: SILVER PLATED COPPER ALLOY
2. FOR SOLID AND STRANDED WIRE AWG22-18
3. COMPLIES WITH DIRECTIVE 2002/95/EC (ROHS)
4. M3 SCREW TO BE USED FOR MOUNTING



M3 SCREW HOLES

WIRE ENTRANCE

SCALE 3:2



LED PRESSURE CONTACTS

LED CLAMPING FEATURE

2213258-1 AS SHOWN

Z50 LED HOLDER LOW PROFILE

2213258-2	Z50 LED HOLDER STANDARD PROFILE 2121
2213258-1	Z50 LED HOLDER LOW PROFILE 2121
PARTNUMBER	DESCRIPTION

THIS DRAWING IS A CONTROLLED DOCUMENT.

DIMENSIONS: mm		TOLERANCES UNLESS OTHERWISE SPECIFIED:	
	0 PLC	±	
	1 PLC	±	
	2 PLC	±	
	3 PLC	±	
	4 PLC	±	
	ANGLES	±	
MATERIAL	FINISH	-	

DWN	M.V.ESSSEN	7-AUG-13
CHK	M.V.ESSSEN	7-AUG-13
APVD	O.LEIJNSE	7-AUG-13
PRODUCT SPEC	108-133008	
APPLICATION SPEC	114-32048	
WEIGHT	-	
CUSTOMER DRAWING		

		TE Connectivity	
		NAME	
Z50 LED HOLDER		2121	
SIZE	CAGE CODE	DRAWING NO	RESTRICTED TO
A3	00779	C-2213258	-
SCALE		SHEET	REV
2:1		1 OF 3	A

THIS DRAWING IS UNPUBLISHED.

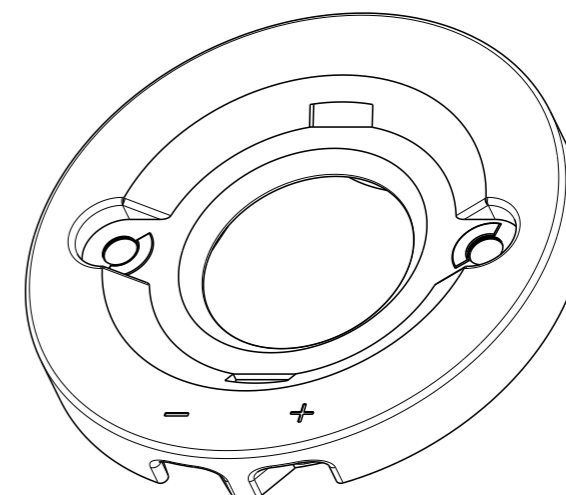
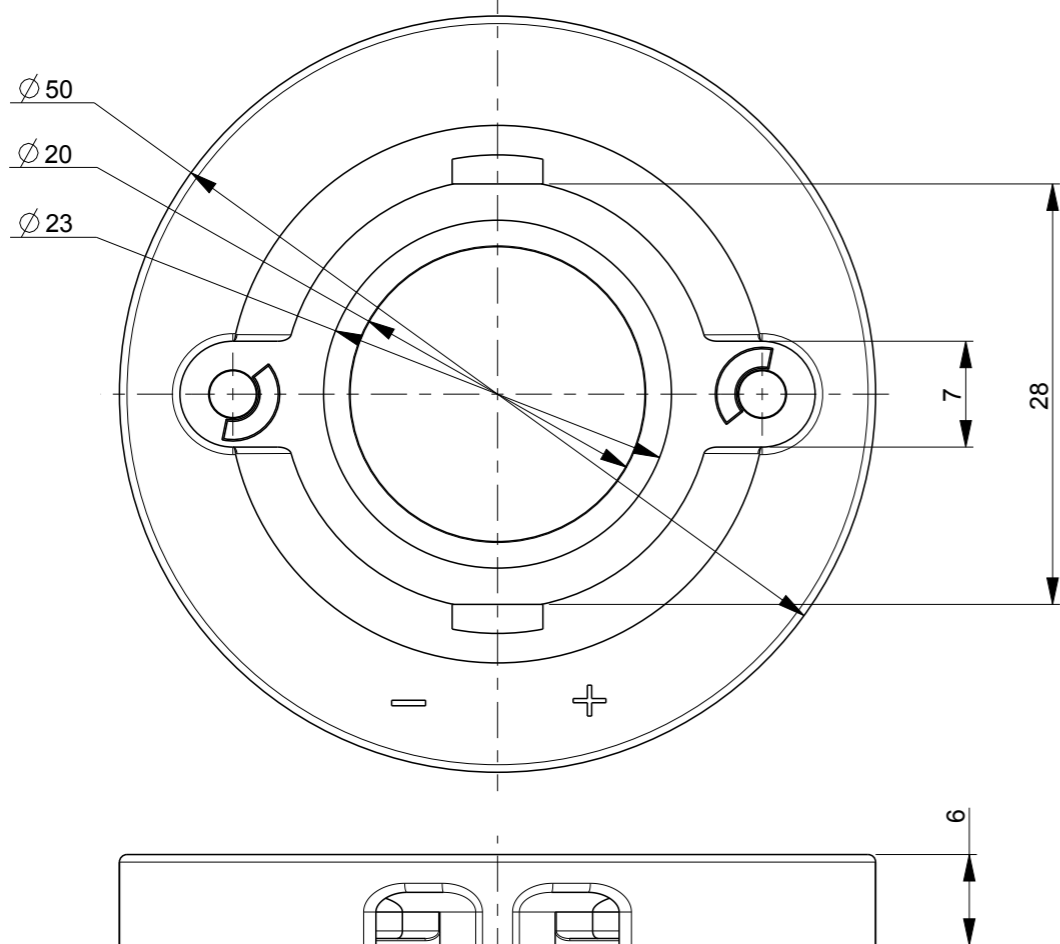
RELEASED FOR PUBLICATION

© COPYRIGHT- BY TYCO ELECTRONICS CORPORATION. ALL RIGHTS RESERVED.

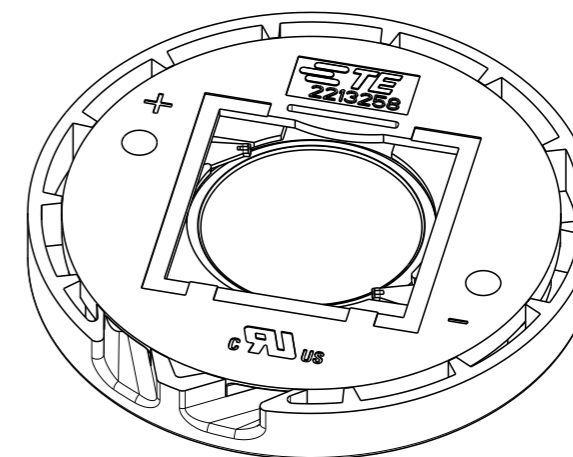
LOC H DIST -

REVISIONS

P	LTR	DESCRIPTION	DATE	DWN	APVD
-	-	SEE SHEET 1	-	-	-




SCALE 3:2



2213258-2 AS SHOWN

Z50 HOLDER STANDARD PROFILE

THIS DRAWING IS A CONTROLLED DOCUMENT.		DWN M.V.ESSSEN 7-AUG-13	 <b>TE Connectivity</b>		
DIMENSIONS: mm		CHK M.V.ESSSEN 7-AUG-13			
TOLERANCES UNLESS OTHERWISE SPECIFIED:		APVD O.LEIJNSE 7-AUG-13	NAME Z50 LED HOLDER 2121		
<ul style="list-style-type: none"> <li>0 PLC ±-</li> <li>1 PLC ±-</li> <li>2 PLC ±-</li> <li>3 PLC ±-</li> <li>4 PLC ±-</li> <li>ANGLES ±</li> </ul>		PRODUCT SPEC 108-133008	RESTRICTED TO		
MATERIAL -		APPLICATION SPEC 114-32048	SIZE <b>A3</b>	CAGE CODE 00779	DRAWING NO C-2213258
FINISH -		WEIGHT -	SCALE 2:1		SHEET 2 OF 3
		CUSTOMER DRAWING	REV A		

THIS DRAWING IS UNPUBLISHED.

RELEASED FOR PUBLICATION

© COPYRIGHT- BY TYCO ELECTRONICS CORPORATION. ALL RIGHTS RESERVED.

LOC  
H

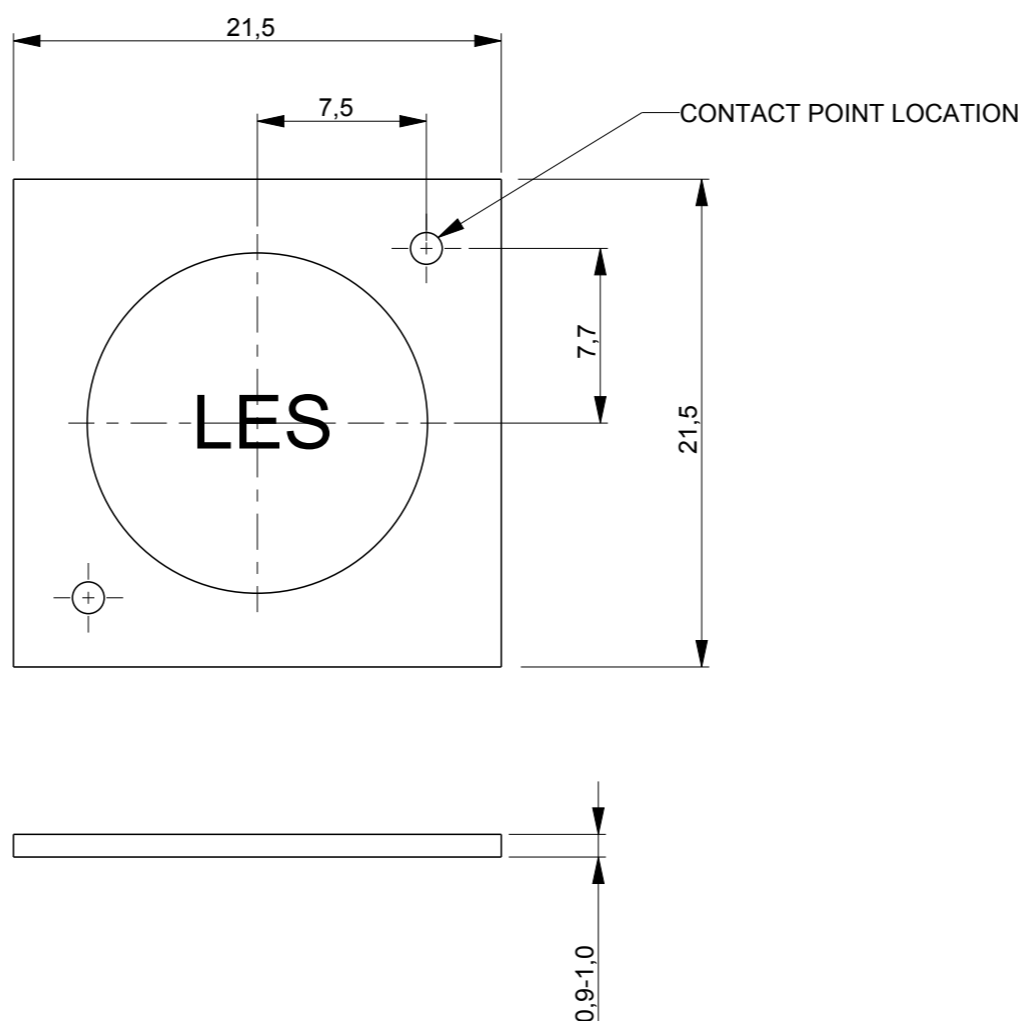
DIST  
-

REVISIONS

P	LTR	DESCRIPTION	DATE	DWN	APVD
	-	SEE SHEET 1	-	-	-

THE SKETCH BELOW IS SHOWING THE NOMINAL LED COB DIMENSIONS TO MATCH WITH THE Z50 LED HOLDER 2121

FOR TECHNICAL DETAILS ABOUT A PROPER MATCH WITH A SPECIFIC LED COB ARRAY PLEASE CONTACT A REPRESENTATIVE AT TE-CONNECTIVITY



THIS DRAWING IS A CONTROLLED DOCUMENT.

DIMENSIONS: mm	TOLERANCES UNLESS OTHERWISE SPECIFIED: 0 PLC ± 1 PLC ± 2 PLC ± 3 PLC ± 4 PLC ± ANGLES ±
MATERIAL -	FINISH -

DWN M.V.ESSSEN	7-AUG-13
CHK M.V.ESSSEN	7-AUG-13
APVD O.LEIJNSE	7-AUG-13
PRODUCT SPEC	108-133008
APPLICATION SPEC	114-32048
WEIGHT	-
CUSTOMER DRAWING	

		NAME		Z50 LED HOLDER 2121	
		SIZE	CAGE CODE	DRAWING NO	RESTRICTED TO
A3	00779	C-2213258	-		
SCALE 3:1		SHEET 3 OF 3		REV A	

D

D

C

C

B

B

A

A