

## Features

- Made of PC
- Lid made of transparent PC
- Available in light grey color
- Protection against liquids and solid objects: IP65 rating
- Supplied with two screws
- Threaded brass inserts for reliable assembly

## RS PRO Hermetic Enclosure

RS Stock No.: (0672315)



RS PRO is the own brand of RS. The RS PRO Seal of Approval is your assurance of professional quality, a guarantee that every part is rigorously tested, inspected, and audited against demanding standards. Making RS PRO the Smart Choice for our customers.

## Product Description

*Hermetic enclosure ideal for applications requiring protection against water ingress. The enclosure is supplied with silicone gascet that provides IP65 rating. Lid manufactured with recess for mambrane keypads and overlays. Threaded brass inserts ensures reliable assembly of the enclosure. It can be easily mounted to the walls and other surfaces using integrated mounting ears.*

## General Specifications

Body Material	PC
Colour	Light grey
Lid Material	PC
Lid Colour	Transparent
RAL Code	RAL 7035
Accessories	Screw M3 17/10 - 4psc
Cover Screws Material	Galvanized Steel

## Mechanical Specifications

Gasket Material	Silicone
External Height	45mm
External Length	60mm
External Width	120mm

## Protection Category

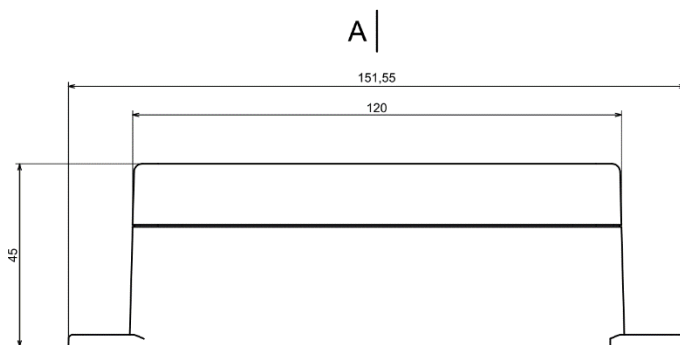
IP Rating	IP65
-----------	------

## Approvals

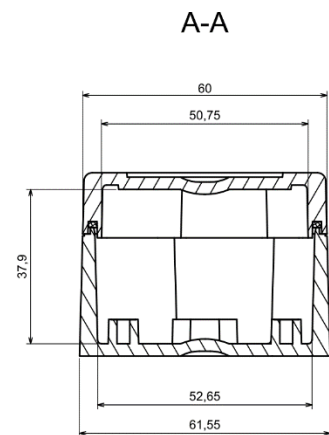
<b>Declarations</b>	REACH
<b>Standard Met</b>	RoHS Compliant

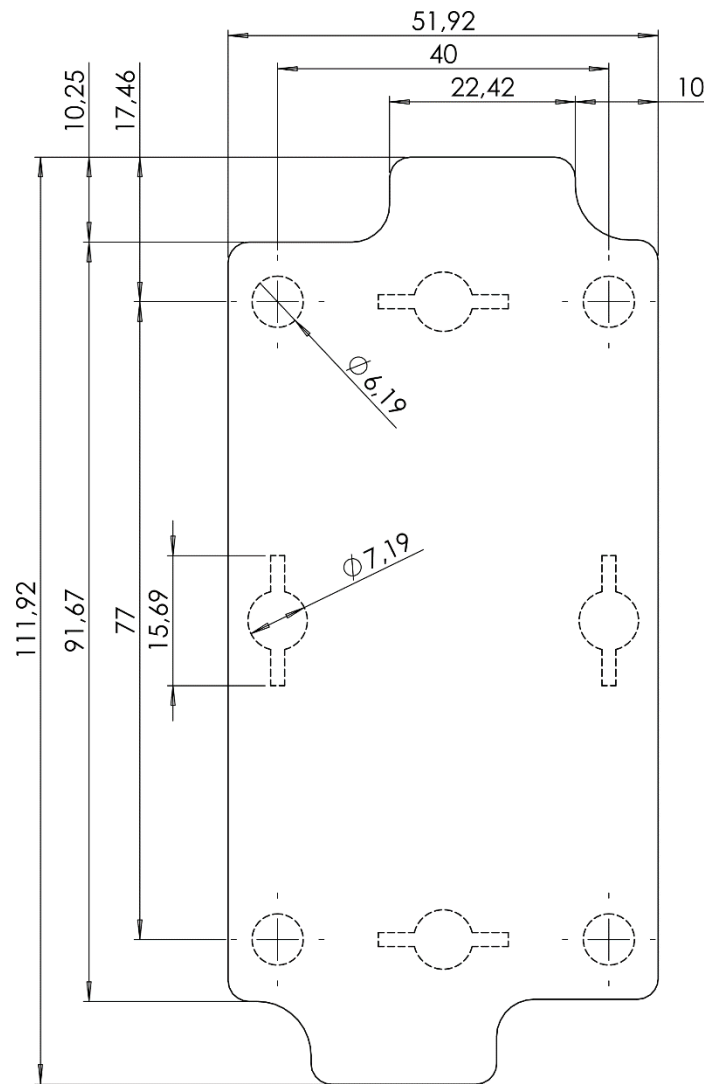
## Similar Products

Stock No.	Brand	Product Name	Body Material	Colour	Shielded
ZP120.60.60SUJ TM PC	RS PRO	General Purpose Enclosure	PC	Grey	No
0672303	RS PRO	General Purpose Enclosure	ABS PC	Grey Transparent	No



A |





Dashed line shows outline of the mounting boss under PCB board  
Recommended mounting holes diameter  $\phi 3,6\text{mm}$   
All dimensions are given within  $\pm 0,5\text{mm}$  tolerance