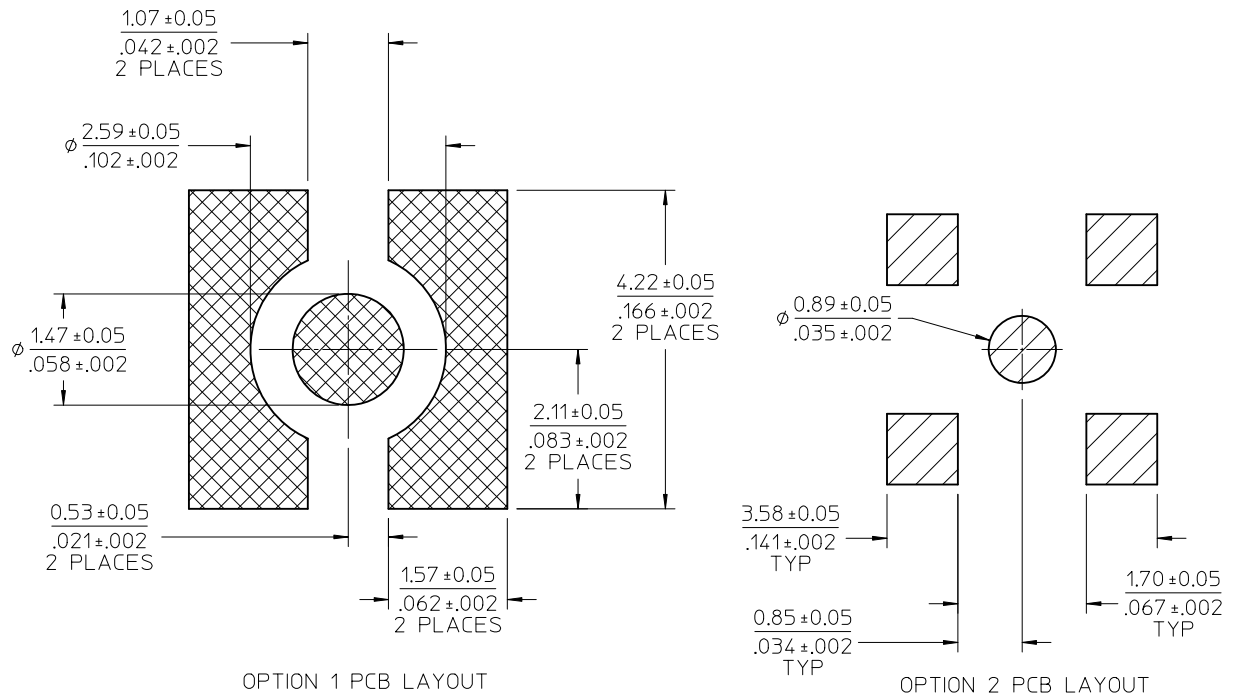
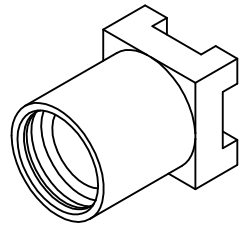
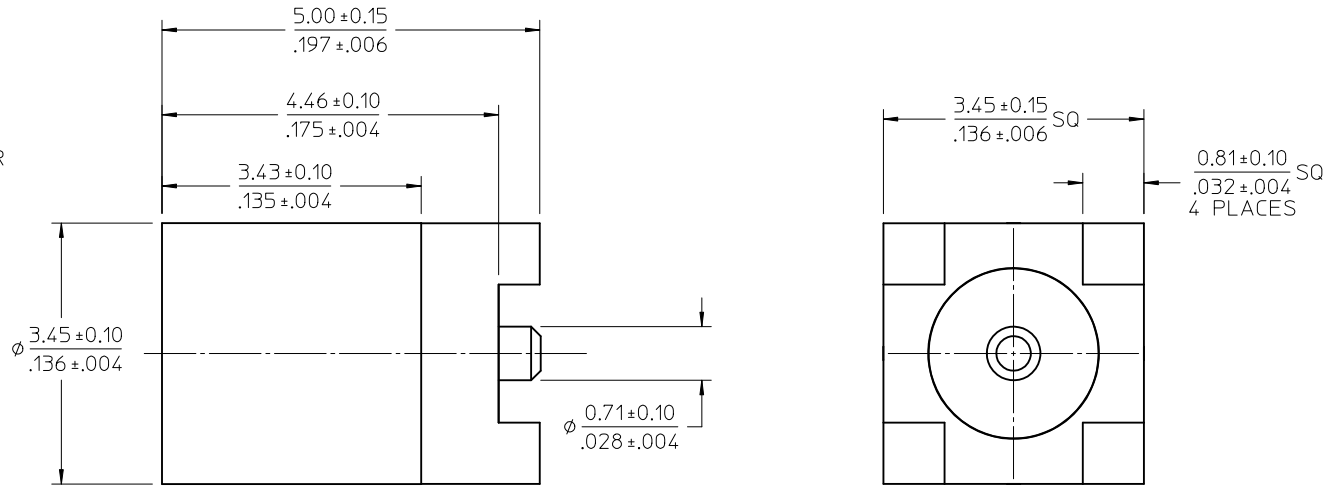


MATERIALS AND FINISHES

BODY BRASS
PLATED GOLD

CENTER CONTACT BERYLLIUM COPPER
PLATED GOLD

INSULATOR TEFLON



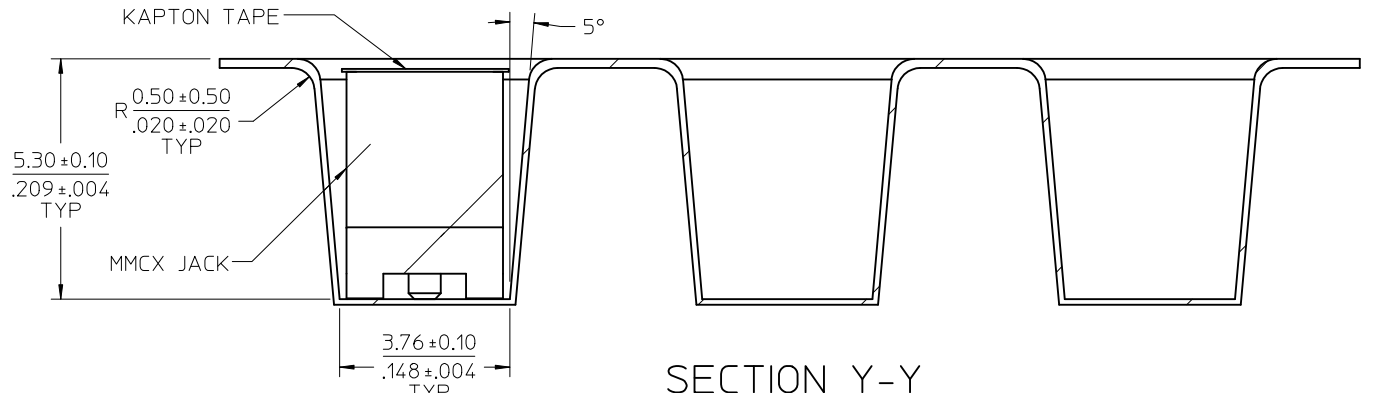
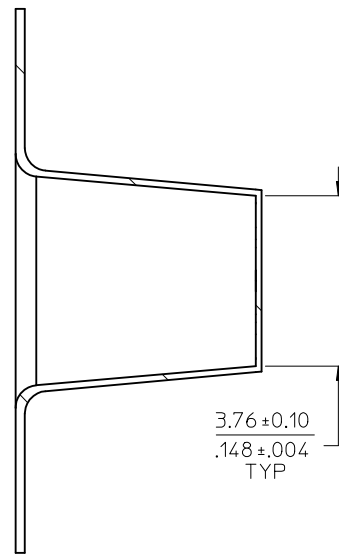
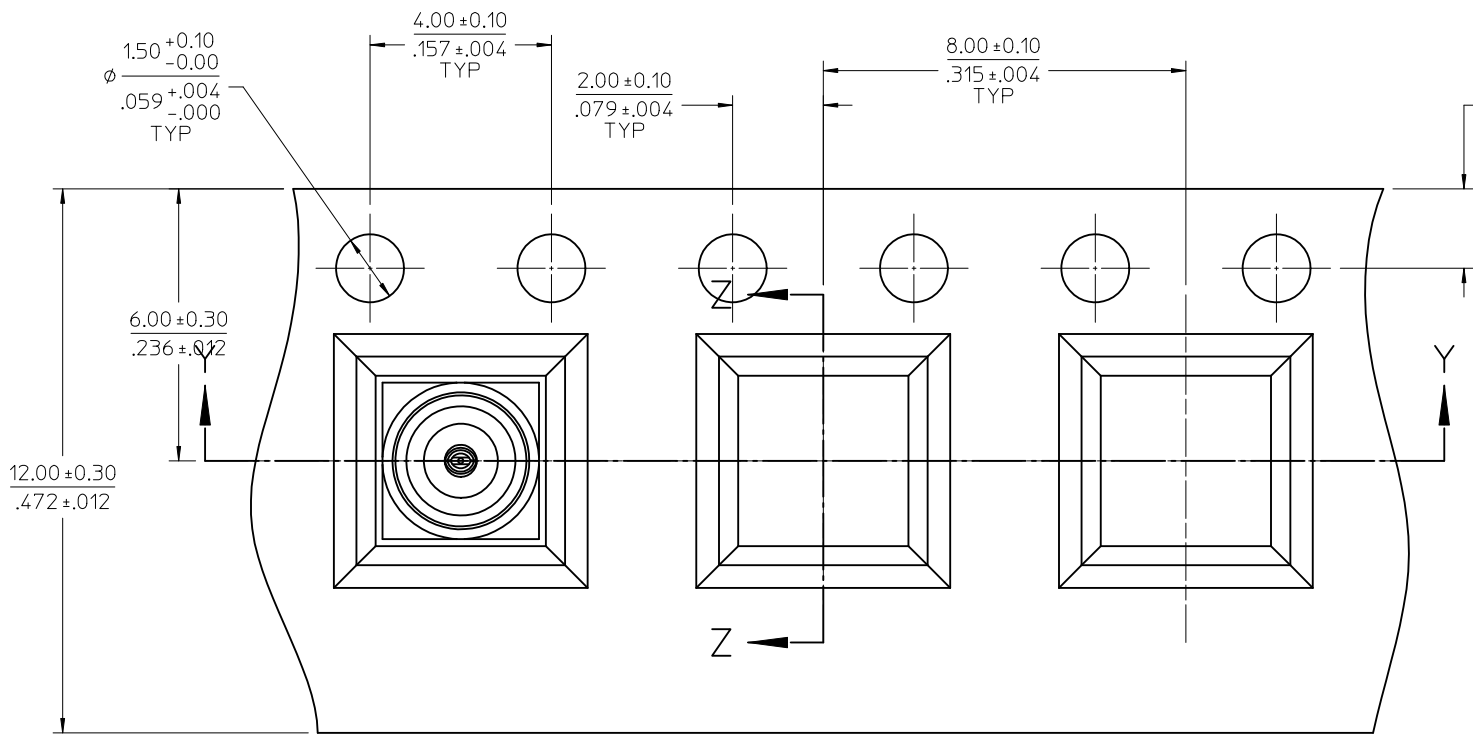
ES-73599-0000-0160	INTERFACE
PS-89675-1910	ELECTRO/MECH PERFORM.
SPECIFICATION	DESCRIPTION

OPTION 1 PCB LAYOUT

OPTION 2 PCB LAYOUT

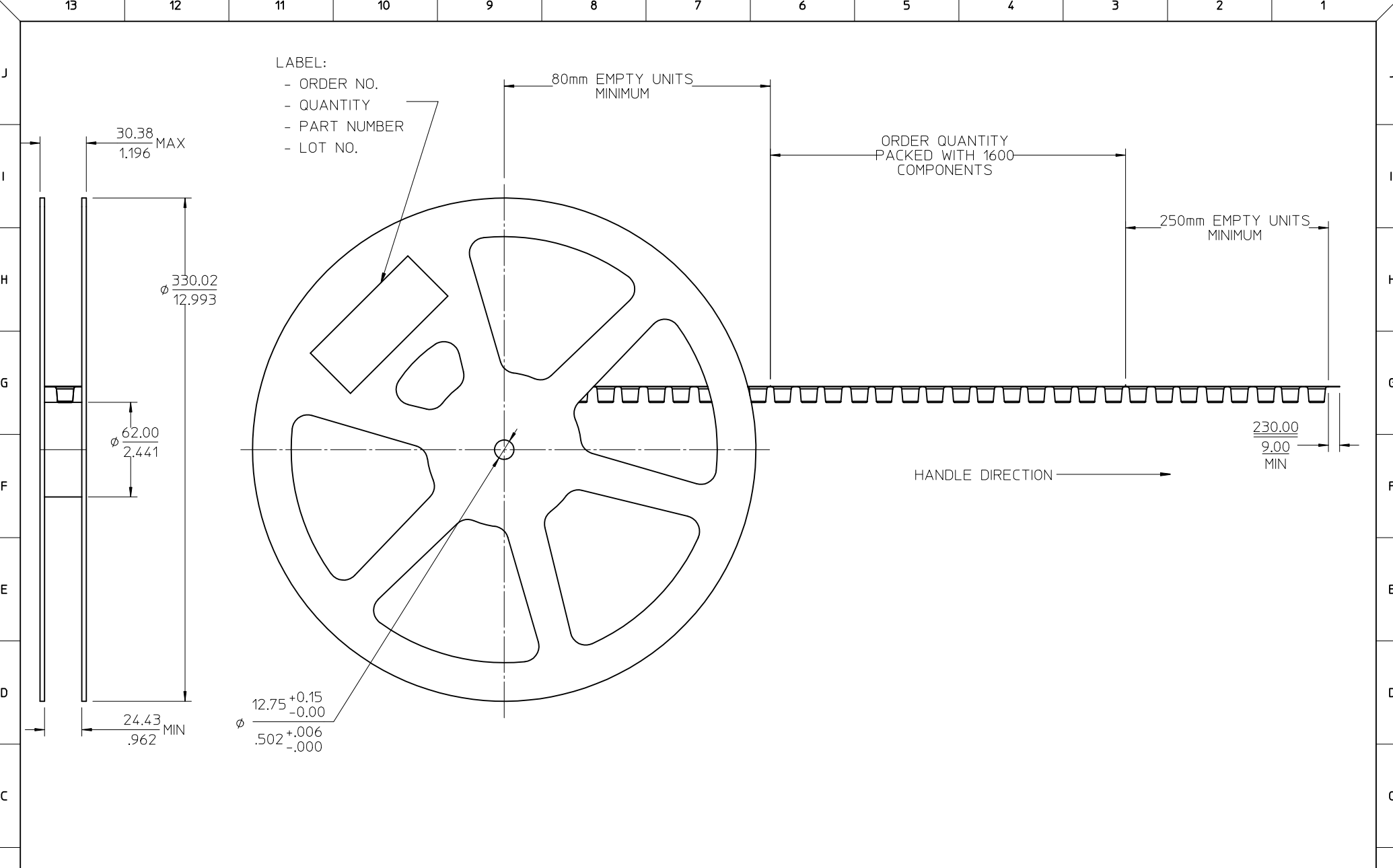
73415-2064	73415-2061, ONE PER BAG
73415-2063	73415-2061 WITH TAPE & REEL
73415-2062	73415-2060 WITH TAPE & REEL
73415-2061	PER COMMERCIAL REQUIREMENTS
73415-2060	PER MILITARY REQUIREMENTS
PART NO.	PLATING

CHG: ADDED 2ND PCB OPTION. EC NO: URF2011-0454 DRWN: YCHENG 2011/01/26 CHKD: CHENG APPR: M HUANG 2011/02/11 REV: A6	QUALITY SYMBOLS ▽=0 ▽=0	GENERAL TOLERANCES (UNLESS SPECIFIED) <table border="1"> <thead> <tr> <th></th> <th>mm</th> <th>INCH</th> </tr> </thead> <tbody> <tr> <td>4 PLACES</td> <td>± .15</td> <td>± .005</td> </tr> <tr> <td>3 PLACES</td> <td>± .10</td> <td>± .004</td> </tr> <tr> <td>2 PLACES</td> <td>± .075</td> <td>± .003</td> </tr> <tr> <td>1 PLACE</td> <td>± .05</td> <td>± .002</td> </tr> </tbody> </table> ANGULAR ± 2°		mm	INCH	4 PLACES	± .15	± .005	3 PLACES	± .10	± .004	2 PLACES	± .075	± .003	1 PLACE	± .05	± .002	DIMENSION STYLE MM/IN DRAWN BY DATE TEF 2000/04/18 CHECKED BY DATE SSS 2000/04/18 APPROVED BY DATE GMH 2000/04/18	SCALE DESIGN UNITS METRIC THIRD ANGLE PROJECTION	TITLE MMCX JACK, VERTICAL PCB/SMT 50 OHMS MMCX-J/PCB	MATERIAL NO. SEE TABLE SIZE C	DOCUMENT NO. SD-73415-206 SHEET NO. 1 OF 3
		mm	INCH																			
	4 PLACES	± .15	± .005																			
	3 PLACES	± .10	± .004																			
2 PLACES	± .075	± .003																				
1 PLACE	± .05	± .002																				
DRAFT WHERE APPLICABLE MUST REMAIN WITHIN DIMENSIONS																						
THIS DRAWING CONTAINS INFORMATION THAT IS PROPRIETARY TO MOLEX INCORPORATED AND SHOULD NOT BE USED WITHOUT WRITTEN PERMISSION																						
MOLEX MOLEX INCORPORATED																						



CHG: SEE SHEET 1 EC NO: URF2011-0454 DRWN: YCHENG 2011/01/26 CHKD: APPR: MHIANG 2011/02/11	QUALITY SYMBOLS ▽=0 ▽=0	GENERAL TOLERANCES (UNLESS SPECIFIED)		DIMENSION STYLE MM/IN	SCALE METRIC	DESIGN UNITS METRIC	THIRD ANGLE PROJECTION		
		4 PLACES ± --- ± ---	3 PLACES ± --- ± ---	2 PLACES ± --- ± ---	1 PLACE ± --- ± ---	DRAWN BY TEF	DATE 2000/04/18	TITLE MMCX JACK, VERTICAL PCB/SMT 50 OHMS MMCX-J/PCB	
		ANGULAR ± 2 °				CHECKED BY SSS	DATE 2000/04/18	APPROVED BY GMH	DATE 2000/04/18
		DRAFT WHERE APPLICABLE MUST REMAIN WITHIN DIMENSIONS		MATERIAL NO. SEE SHEET 1	DOCUMENT NO. SD-73415-206	SHEET NO. 2 OF 3			

THIS DRAWING CONTAINS INFORMATION THAT IS PROPRIETARY TO MOLEX INCORPORATED AND SHOULD NOT BE USED WITHOUT WRITTEN PERMISSION



CHG: SEE SHEET 1	2011/02/11
EC NO: URF2011-0454	2011/01/26
DRWN:YCHENG	
CHKD:	
APPR:MHUANG	
REV	DESCRIPTION
A6	

QUALITY SYMBOLS	GENERAL TOLERANCES (UNLESS SPECIFIED)
▽=0	
▽=0	
	ANGULAR ± 2°
	DRAFT WHERE APPLICABLE MUST REMAIN WITHIN DIMENSIONS

DIMENSION STYLE		SCALE
MM/IN		METRIC
DRAWN BY	DATE	TITLE
TEF	2000/04/18	MMCX JACK, VERTICAL PCB/SMT 50 OHMS MMCX-J/PCB
CHECKED BY	DATE	
SSS	2000/04/18	
APPROVED BY	DATE	
GMH	2000/04/18	
MATERIAL NO.	DOCUMENT NO.	SHEET NO.
SEE SHEET 1	SD-73415-206	3 OF 3

THIRD ANGLE PROJECTION	
MOLEX INCORPORATED	
THIS DRAWING CONTAINS INFORMATION THAT IS PROPRIETARY TO MOLEX INCORPORATED AND SHOULD NOT BE USED WITHOUT WRITTEN PERMISSION	