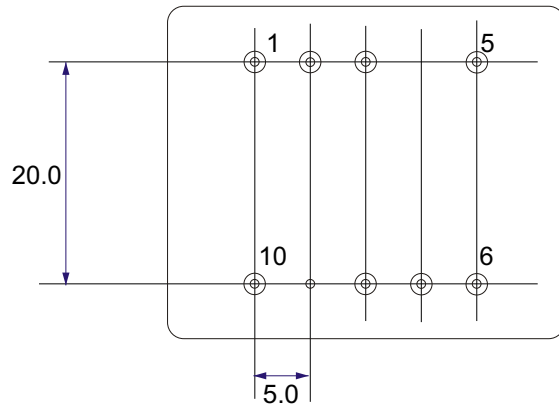
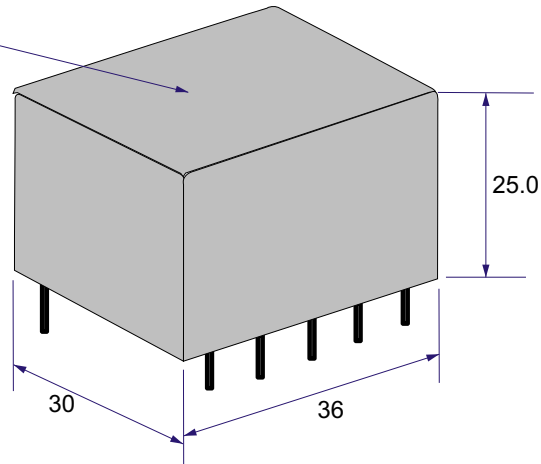


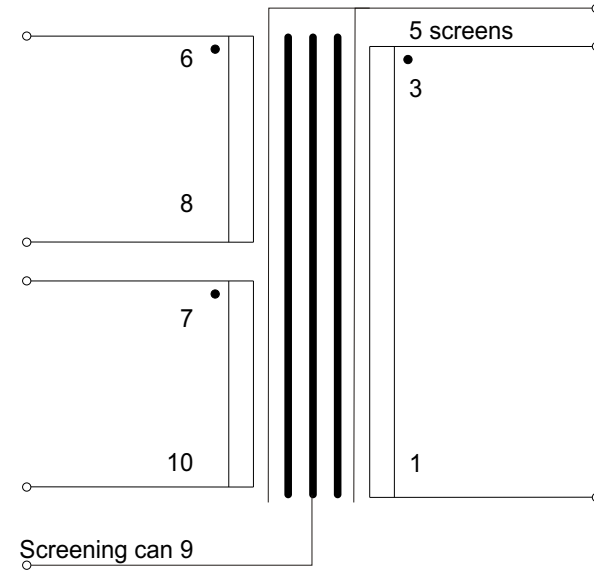


Label
YY WW = date code



Pin view (underneath)

Mass = 0.11kg
Pin diameter = 0.70mm
Tolerance on can dimensions: +/- 0.3mm



Electrical specification:

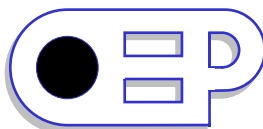
Turns ratio: 1+1 to 2
Load impedance: 10k

THD @ 20Hz: 0.01% (0dBu, 10k load)

DC resistance (+/- 15%)
Primary 1: 450
Primary 2: 590
Secondary: 1000

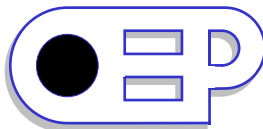
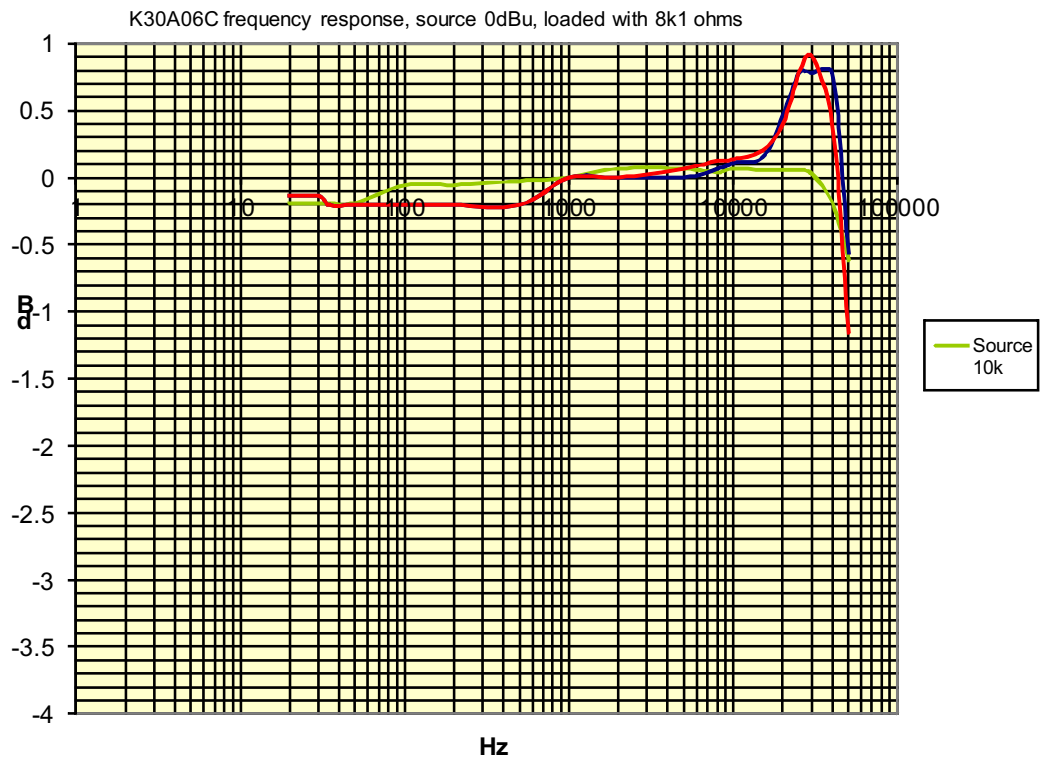
Primary inductance (single winding): 119H @ 100Hz, 0.10V
Primary leakage inductance (windings in series) @ 1kHz, 0.1V: 23mH
Interwinding capacitance @ 20kHz (primary windings in series): 108pF

Operating temperature range: -20°C to +70°C
Fitted with electrostatic screens and stray flux copper band
Mu-metal screening can reduces electrical noise by up to 30dB



Unit 5, Oxonian Park, Langford Locks,
Kidlington, Oxfordshire. OX5 1FP
Tel: (01865) 855085 Fax: (01865) 855075
Website: www.oep.co.uk

DESCRIPTION	ISSUE	DATE	DRAWN	CHECKED	DRAWING NUMBER
Specification for K30A06C page 1 of 2	1	14/04/12	CS		K30A06C
Scale: nts	All dimensions in mm unless stated otherwise				



Unit 5, Oxonian Park, Langford Locks,
Kidlington, Oxfordshire. OX5 1FP
Tel: (01865) 855085 Fax: (01865) 855075
Website: www.oep.co.uk

DESCRIPTION	ISSUE	DATE	DRAWN	CHECKED	DRAWING NUMBER
Specification for K30A06C page 2 of 2	1	14/04/12	CS		K30A06C
Scale: nts	All dimensions in mm unless stated otherwise				