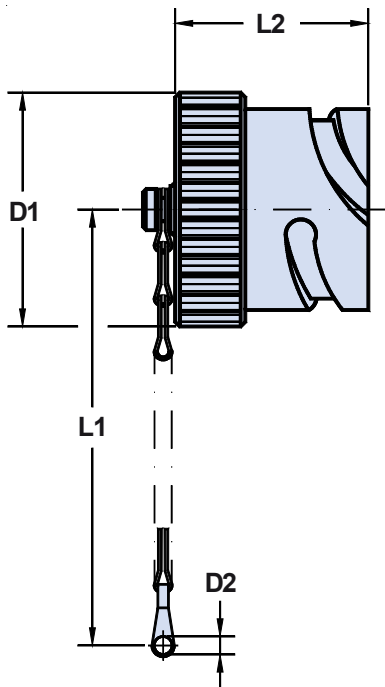
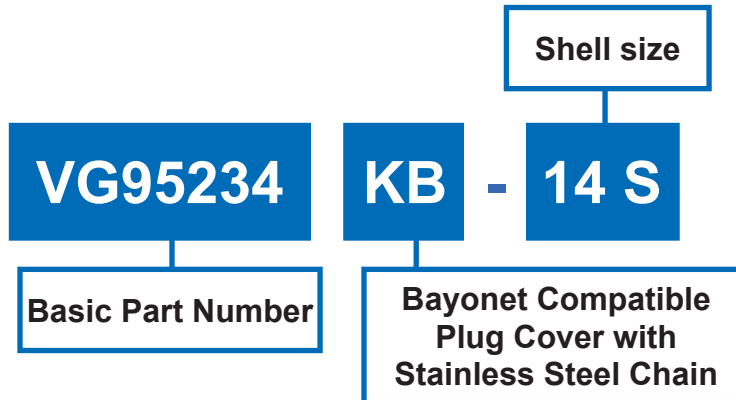




VG95234 KB
Plug Protective Cover
With Stainless Steel Chain



DIMENSIONS					
Connector Size	D1 Max	D2 +0.6 -0	L1 Min	L2 Max	Weight gr. Max
10 SL	21.0	4.3	90	29	19
14 S	27.5	4.3	100	29	26
16 S	30.0	4.3	100	29	28
16	30.0	4.3	115	37	33
18	33.5	4.3	115	37	36
20	37.0	4.7	130	37	43
22	40.0	4.7	130	37	47
24	43.5	4.7	130	37	53
28	49.5	4.7	190	37	63
32	56.0	5.5	190	37	75
36	62.5	5.5	190	37	88

APPLICATION NOTES

1. Metal protective cover for bayonet plug connectors with stainless steel chain.
2. Standard materials configuration consists of aluminum alloy with cadmium olive drab passivation IAW QQ-P-416.
3. Other types of front and rear connector accessories are available. See our website and/or contact the factory for complete information.