



## Ordering number CA11998\_EMILY-SS-WAS

|                 |           |             |            |
|-----------------|-----------|-------------|------------|
| Family          | Emily     | FWHM        | 10 degrees |
| Type            | Assembly  | Efficiency  | 92 %       |
| LED             | XP-E      | cd/lm       | 18.300     |
| Color           | Clear     | Gerber File | Available  |
| Diameter        | 26 mm     |             |            |
| Height          | 14.8 mm   |             |            |
| Style           | Round     |             |            |
| Optic Material  | PMMA      |             |            |
| Holder Material | -         |             |            |
| Fastening       | Pin, tape |             |            |
| Status          | Ready     |             |            |

Especially designed for Wallwasher applications

**NOTE: The typical divergence will be changed by different color, chip size and chip position tolerance. The typical total divergence is the full angle measured where the luminous intensity is half of the peak value.**



## PRODUCT DATASHEET

### Emily series

last update 24/9/2012

#### GENERAL INFORMATION

- Product series especially designed & optimized for XP-E series of LEDs.
- Special care taken to make light distribution as uniform as possible.
- Lens material optical grade PMMA with high UV and temperature resistance. Allows use of high current and temperature conditions.

Please find more information about used material from below:

[http://ledil.fi/sites/default/files/Documents/Technical/Material/PMMA%20N%20UL94\\_Yellow%20Card.pdf](http://ledil.fi/sites/default/files/Documents/Technical/Material/PMMA%20N%20UL94_Yellow%20Card.pdf)

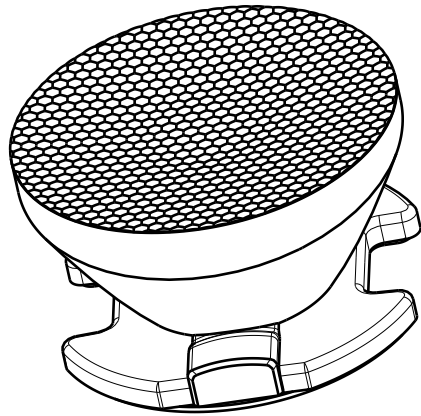
<http://ledil.fi/sites/default/files/Documents/Technical/Material/PMMA%20N%20PLEXIGLAS-Datasheet.pdf>

D

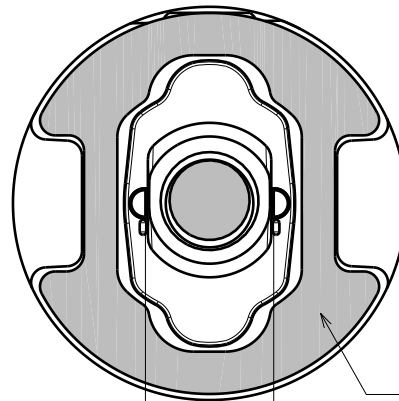
C

B

A



Isometric view

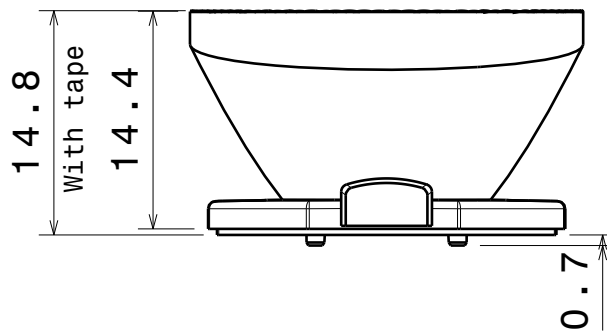


Bottom view

0.4mm tape

8.6

location pins

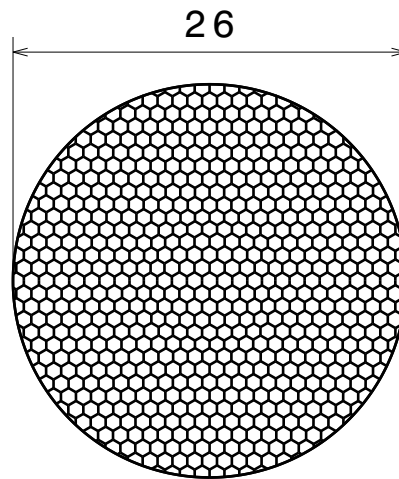


Front view

14.8  
With tape

14.4

0.7



Top view

26

Part No.s:  
 CA11998\_EMILY-SS-WAS  
 CA12000\_EMILY-O-WAS  
 CA12797\_EMILY-O-WAS  
 CA12799\_EMILY-SS-WAS

Material: PMMA

This drawing is our property.  
 It can't be reproduced  
 or communicated without  
 our written agreement.



L  
T  
F  
F

e  
e  
i  
i  
N  
n

d  
h

DRAWING TITLE

Datasheet Emily-was Assembly

|               |                    |
|---------------|--------------------|
| DRAWN BY<br>m | DATE<br>01.03.2011 |
|---------------|--------------------|

|                 |                    |
|-----------------|--------------------|
| CHECKED BY<br>h | DATE<br>01.03.2011 |
|-----------------|--------------------|

|                   |                    |
|-------------------|--------------------|
| DESIGNED BY<br>hh | DATE<br>25.01.2011 |
|-------------------|--------------------|

|              |                |              |
|--------------|----------------|--------------|
| SIZE<br>A4   | DRAWING NUMBER | REV<br>1     |
| SCALE<br>2:1 | WEIGHT (g)     | SHEET<br>1/1 |

D

A

4

4

3

3

2

2

1

1