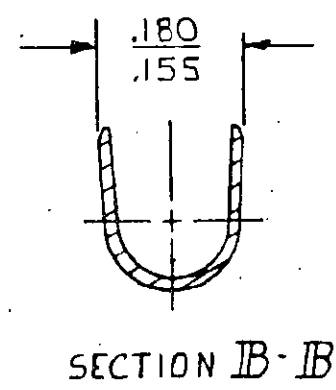
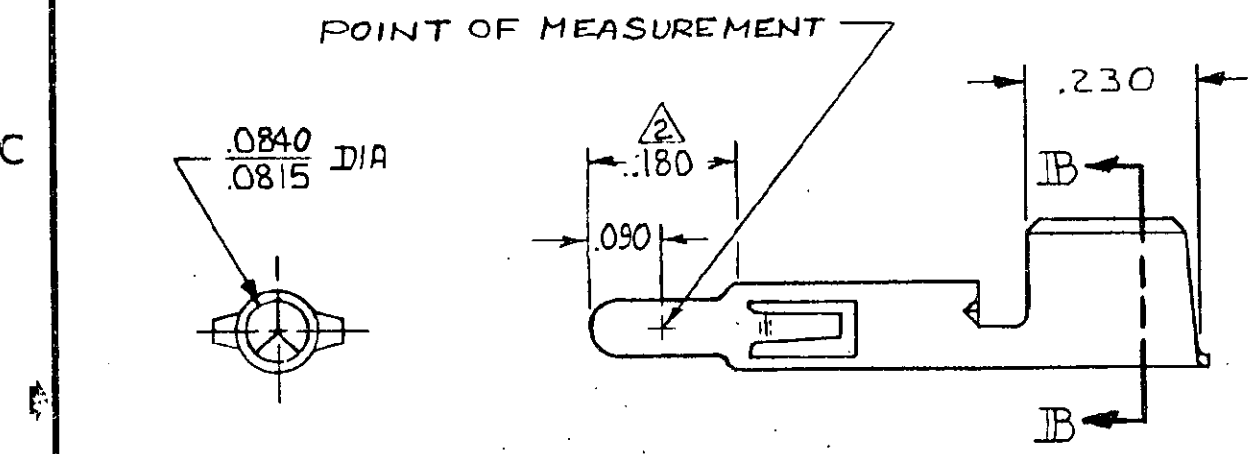
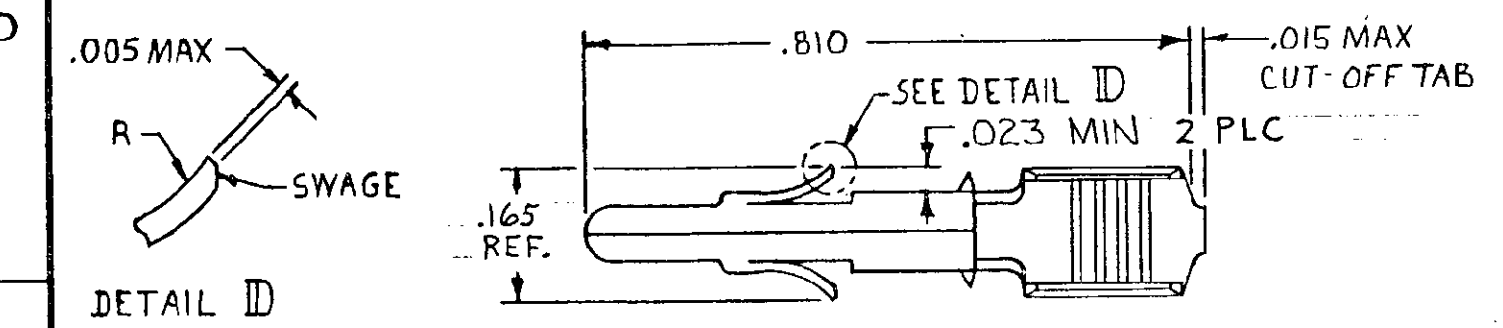


REVISIONS						
P	F	ZONE	LTR	DESCRIPTION	DATE	APPROVED
1			J1	REVISED PER ECO-11-005294	11APR11	HMR



- ① LIMITED BY THE CONNECTOR HOUSING CAVITY.
- ② PLATED WITH .000030 GOLD, OVER .000050 NICKEL UNDERPLATE.

FINISH	MATERIAL	PART NO
SELECT GOLD	.012 PH. BRZ	640309-6
PRE-TIN	.012 PH. BRZ.	640309-3

UNLESS OTHERWISE SPECIFIED DIMENSIONS ARE IN INCHES. TOLERANCES ON: DECIMALS ± .015 ANGLES ±	CONTRACT NO	<b>STE</b> TE Connectivity		
	DR <i>m. Feher 5-6-81</i>			
	CHK <i>D.S. Heide 6/9/81</i>	NAME PIN, (LOOSE PIECE)		
	APPD <i>D. Schick 6-10-81</i>	UNIVERSAL MATE-N-LOK		
WIRE RANGE 12-10 AWG	DSGN APPD	SIZE <b>B</b>	CODE IDENT NO <b>00779</b>	DRAWING NO <b>640309</b>
INSULATION RANGE .200 DIA MAX ①	OTHER APPD	SCALE <b>4-1</b>	SHEET	