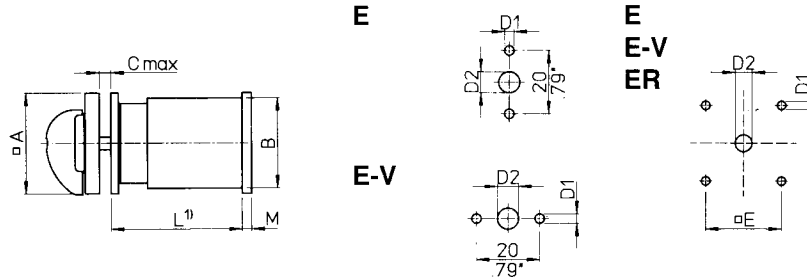


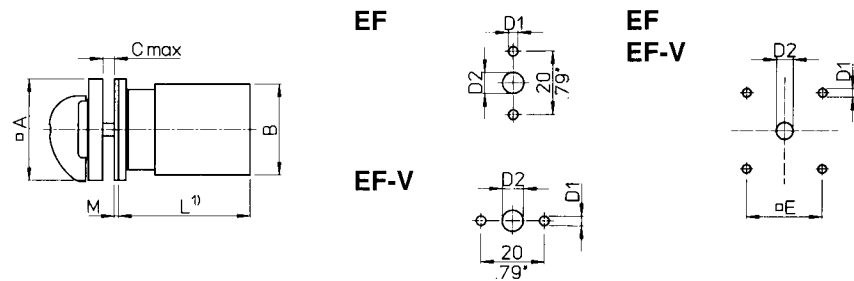
Dimensions mm
inch

Two- or Four Hole Panel Mounting



	CA4 CA4-1	CA10 CA11 CAD11 CAD12	CA20	CA25	CR10 CR11	CA10B CA11B CA20B	CA25B	C26	C32	C42*	C43	C80	C125	L-switches Size S2	L-switches Size S3
A	30 1.18	48 1.89	48 1.89	48 1.89	48 1.89	64 2.52	64 2.52	64 2.52	64 2.52	64 (88) 2.52 (3.46)	88 3.46	88 3.46	88 3.46	88 3.46	130 5.12
B	28 1.10	45 1.77	43 1.69	46 1.81	43 1.69	56 2.20	56 2.20	58 2.28	60 2.36	66 2.6	84 3.3	84 3.3	88 3.46	88 3.46	126 4.96
C	4 .16	4 .16	4 .16	4 .16	4 .16	4 .16	4 .16	4 .16	4 .16	4 .16	5.5 .22	5.5 .22	5.5 .22	5.5 .22	7 .28
D1	3.2 .13	5 .20	5 .20	5 .20	5 .20	5 .20	5 .20	5 .20	5 .20	5 (6) .20 (.24)	6 .24	6 .24	6 .24	6 .24	7 .28
D2	8 - 11 .31 - .43	8 - 15 .31 - .59	8 - 15 .31 - .59	8 - 15 .31 - .59	8 - 15 .31 - .59	10 - 15 .39 - .59	10 - 15 .39 - .59	10 - 15 .39 - .59	10 - 15 .39 - .59	10 - 15 .39 - .59	13 - 17 .51 - .67	13 - 17 .51 - .67	13 - 17 .51 - .67	13 - 17 .51 - .67	15.5 - 20 .61 - .79
E	-	36 1.42	36 1.42	36 1.42	36 1.42	48 1.89	48 1.89	48 1.89	48 1.89	48 (68) 1.89 (2.68)	68 2.68	68 2.68	68 2.68	68 2.68	104 4.09
M ²⁾	-	4.5 .18	4.5 .18	4.5 .18	4.5 .18	5 .2	5 .2	6.5 .26	6.5 .26	7.5 .3	7.5 .3	9.4 .37	9.4 .37	27.5 1.08	11.9 .47

2) M, additional length for mounting ER only
*Dimensions in brackets for ER mounting plate only



	CA4 CA4-1	CA10 CA11 CAD11 CAD12	CA20	CA25	CR10 CR11	CA10B CA11B CA20B	CA25B	C26	C32	C42	C43	C80	C125	C315
													L-switches Size S2	L-switches Size S3
A	30 1.18	48 1.89	48 1.89	48 1.89	48 1.89	64 2.52	64 2.52	64 2.52	64 2.52	64 2.52	88 3.46	88 3.46	88 3.46	130 5.12
B	28 1.10	43 1.69	48 1.89	46 1.81	43 1.69	56 2.20	48 1.89	58 2.28	60 2.36	66 2.6	84 3.3	84 3.3	88 3.46	126 4.96
C	4 .16	4 .16	4 .16	4 .16	4 .16	4 .16	4 .16	4 .16	4 .16	4 .16	5.5 .22	5.5 .22	5.5 .22	7 .28
D1	3.2 .13	5 .20	5 .20	5 .20	5 .20	5 .20	5 .20	5 .20	5 .20	5 .20	6 .24	6 .24	6 .24	7 .28
D2	8 - 11 .31 - .43	18 - 22 .71 - .87	18 - 22 .71 - .87	18 - 22 .71 - .87	18 - 22 .71 - .87	22 - 25 .87 - .98	22 - 25 .87 - .98	22 - 25 .87 - .98	22 - 25 .87 - .98	22 - 25 .87 - .98	28 - 33 1.10 - 1.30	28 - 33 1.10 - 1.30	28 - 33 1.10 - 1.30	22 - 25 .87 - .98
E	-	36 1.42	36 1.42	36 1.42	36 1.42	48 1.89	48 1.89	48 1.89	48 1.89	48 1.89	68 2.68	68 2.68	68 2.68	104 4.09
M	1 .04	1.5 .06	1.5 .06	1.5 .06	1.5 .06	2 .08	2 .08	2 .08	2 .08	2 .08	2.2 .09	2.2 .09	2.2 .09	2.2 .09

1) see page 51

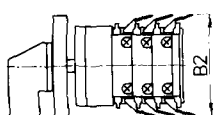
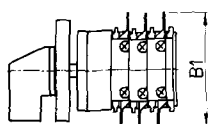
Dimensions mm
inch

Additional Length

Quick connects for switches CA4, CA4-1, CR

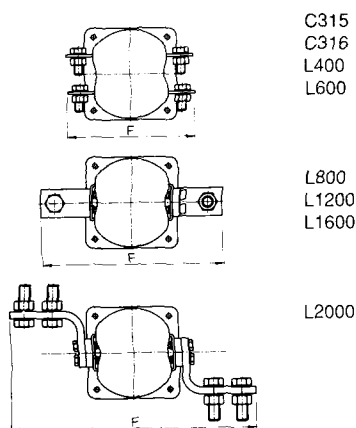
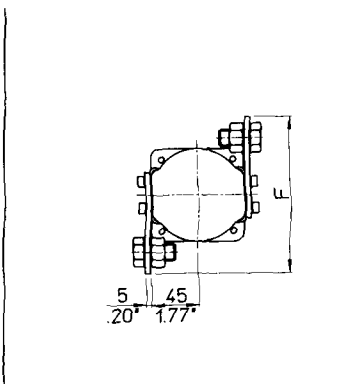
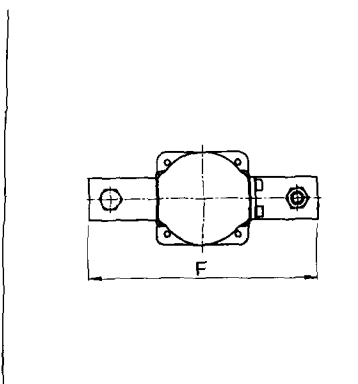
with quick connects

with angled connects



	CA4	CA4-1	CR10	CR11
B1	33 1.3	54 2.13	54 2.13	
B2		48 1.89	48 1.89	

Terminal lugs for switches C315, C316 and L-switches



	L350	L630	L1000	L1250	L351	L631	L1001	L1251	C315	C316	L400	L600	L800	L1200	L1600	L2000
F	190 7.48	220 8.66	230 9.06	240 9.45	138 5.43	148 5.83	148 5.83	148 5.83	150 5.91	180 7.09	208 8.19	256 10.08	326 12.83			

Length L

Stages	CA4 CA4-1	CA10 CAD11	CR10 CAD12	CA11 CR11	CA20	CA25	CA10B	CA11B	CA20B	CA25B	C26	C32	C42	C43	C80	C125 Size S2	C315 L-switches Size S3
1	30 1.18	31.7 1.25	34.9 1.37	35.9 1.41	37.2 1.44	37.9 1.49	41.1 1.62	42.1 1.66	43.4 1.71	41 1.61	45.8 1.8	49.8 1.96	59 2.32	61.5 2.42	67.5 2.66	78.6 3.09	
2	38 1.5	41.2 1.62	47.6 1.87	48.6 1.91	51.2 2.02	47.4 1.87	53.8 2.12	54.8 2.16	57.4 2.26	53.7 2.11	63.3 2.47	71.3 2.81	80.5 3.17	88 3.46	100 3.94	117.2 4.61	
3	46 1.81	50.7 2	60.3 2.37	61.3 2.41	65.2 2.57	56.9 2.24	66.5 2.62	67.5 2.66	71.4 2.81	66.4 2.61	80.8 3.18	92.8 3.65	102 4.02	114.5 4.51	132.5 5.22	155.8 6.13	
4	54 2.13	60.2 2.37	73 2.87	74 2.91	79.2 3.12	66.4 2.61	79.2 3.12	80.2 3.16	85.4 3.36	79.1 3.11	98.3 3.87	114.3 4.5	123.5 4.86	141 5.55	165 6.5	194.4 7.65	
5	62 2.44	69.7 2.74	85.7 3.37	86.7 3.41	93.2 3.67	7a5.9 2.99	91.9 3.62	92.9 3.66	99.4 3.91	91.8 3.61	115.8 4.56	135.8 5.35	145 5.71	167.5 6.59	197.5 7.78	233 9.17	
6	70 2.76	79.2 3.12	98.4 3.87	99.4 3.91	107.2 4.22	85.4 3.36	104.6 4.12	105.6 4.16	113.4 4.46	104.5 4.11	133.3 5.25	157.3 6.19	166.5 6.56	194 7.64	230 9.06	271.6 10.69	
7	78 3.07	88.7 3.49	111.1 4.37	112.1 4.41	121.2 4.77	94.9 3.74	117.3 4.62	118.3 4.66	127.4 5.01	117.2 4.61	150.8 5.94	178.8 7.04	188 7.4	220.5 8.68	262.5 10.33	310.2 12.21	
8	86 3.39	98.2 3.87	123.8 4.87	124.8 4.91	135.2 5.32	104.4 4.11	130 5.12	131 5.16	141.4 5.56	129.9 5.11	168.3 6.63	200.3 7.89	209.5 8.25	247 9.72	295 11.61	348.8 13.73	
9	94 3.7	107.7 4.24	136.5 5.37	137.5 5.41	149.2 5.87	113.9 4.48	142.7 5.62	143.7 5.66	155.4 6.11	142.6 5.61	185.8 7.32	221.8 8.73	231 9.09	273.5 10.77	327.5 12.89	387.4 15.25	
10	-	117.2 4.61	149.2 5.87	150.2 5.91	163.2 6.43	123.4 4.86	155.4 6.12	156.4 6.16	169.4 6.66	155.3 6.11	203.3 8	243.3 9.58	252.2 9.54	300 11.81	360 14.17	426 16.77	
11	-	126.7 4.99	161.9 6.37	162.9 6.41	177.2 6.98	132.9 5.23	168.1 6.62	169.1 6.66	183.4 7.21	168 6.61	220.8 8.69	264.8 10.42	274 10.79	326.5 12.85	392.5 15.45	464.6 18.29	
12	-	136.2 5.36	174.6 6.87	175.6 6.91	191.2 7.53	142.4 5.61	180.8 7.12	181.8 7.16	197.4 7.76	180.7 7.11	238.3 9.38	286.3 11.27	295.5 11.63	353 13.9	425 16.73	503.2 19.81	