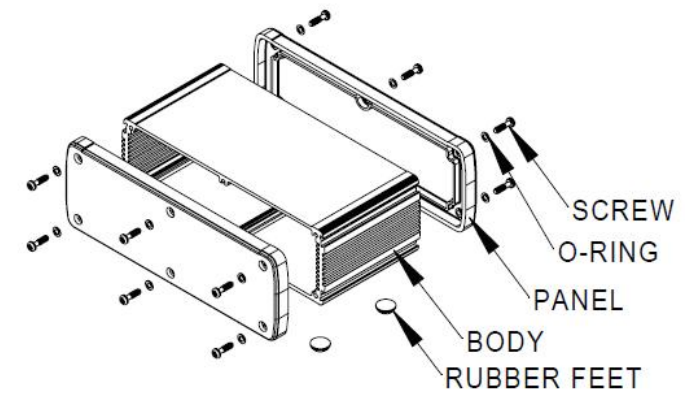
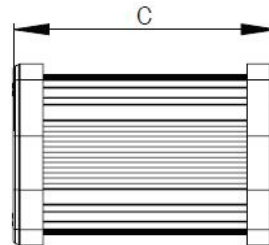
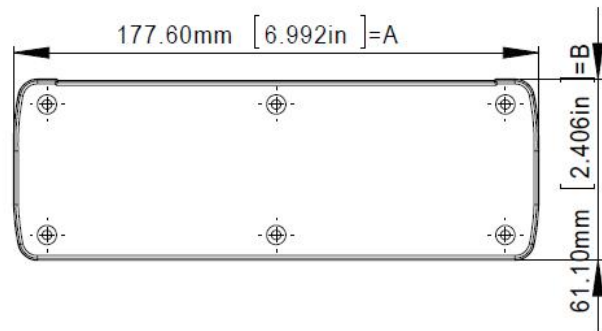
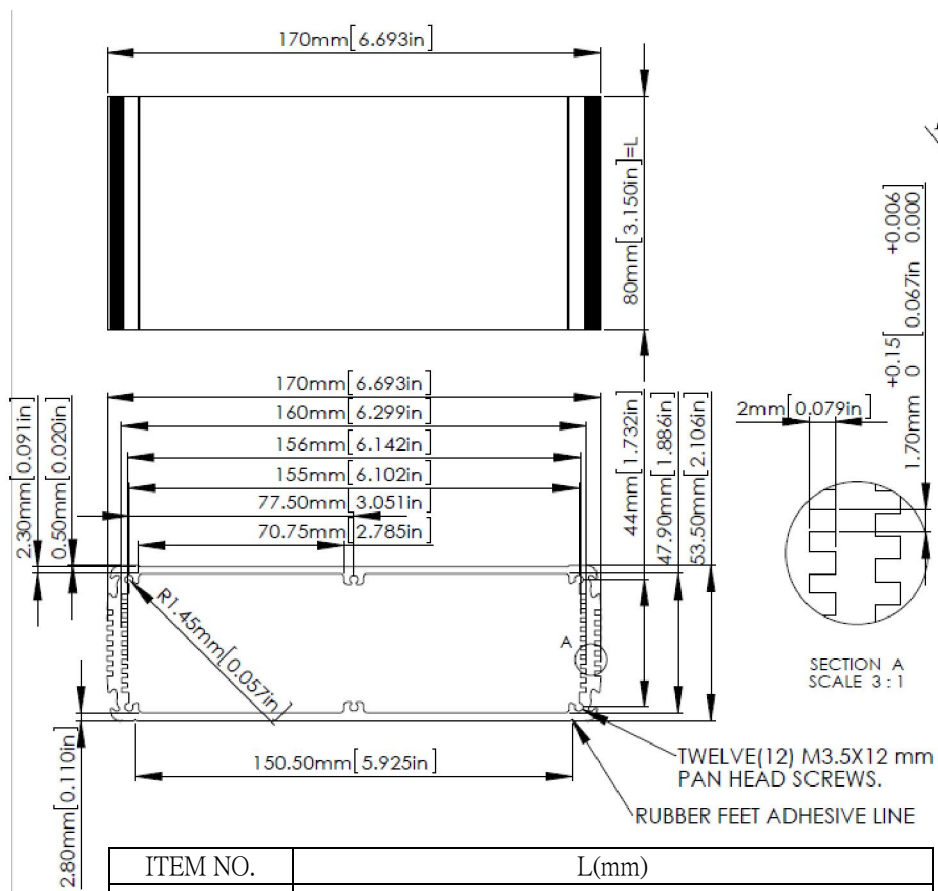


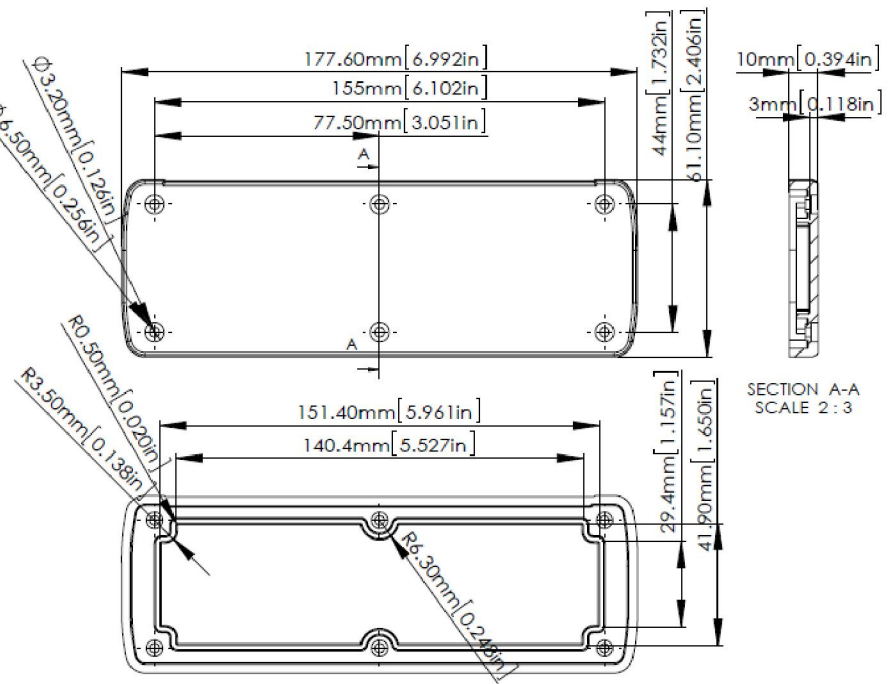


RS Stock No.13689410001
RS Stock No.13689420001
RS Stock No.13689430001
RS Stock No.13689440001
RS Stock No.13689450001
RS Stock No.13689460001
RS Stock No.13689480001
RS Stock No.13689490001





ITEM NO.	L(mm)
13689410001	80mm
13689420001	120mm
13689430001	160mm
13689440001	200mm
13689450001	80mm
13689460001	120mm
13689480001	160mm
13689490001	200mm



According to ISO 2768-m	
Measuring DIM=L	Tolerances
0.5<L<=3.0mm	±0.1mm
3.0<L<=6.0 mm	±0.1mm
6.0<L<=30.0 mm	±0.2mm
30.0<L<=120.0 mm	±0.3mm
120.0<L<=400.0 mm	±0.5mm
400.0<L<=1000.0 mm	±0.8mm