



Certificate No. FM163

ISO 9001

spirax/sarco

TI-P022-05
ST Issue 2

Single window and double window Sight Glass

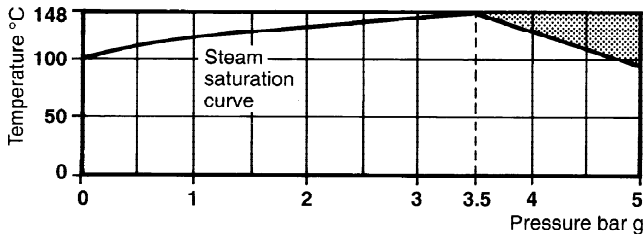
Description

A range of single and double window sight glasses available in either brass or bronze depending on size with screwed connections.

Limiting conditions

Brass or bronze body
 Maximum operating conditions
 PMO — Max. operating pressure 3.5 bar g
 TMO — Max. operating temperature 148°C
 Maximum body design conditions
 PMA — Max. allowable pressure 5 bar g
 TMA — Max. allowable temperature 148°C
 Cold hydraulic test pressure 7 bar g

Operating Range



This product must not be used in this region

Sizes & pipe connections

Single window 3/8", 1/2", 3/4" and 1" screwed BSP or NPT
 Double window 1/2", 3/4", 1", 1 1/4", 1 1/2", 2" screwed BSP or NPT

Material

No	Part	Material	Specifications
1	Body 1/2" to 1"	Brass	BS 2872 CZ 122
	1 1/4" to 2"	Bronze	BS 1400 LG2 GpA
2	Bezel	Brass	BS 1400 PCB1
3	Window	Toughened Soda Lime Glass	BS 3463
4	Top Gasket	Reinforced Exfoliated Graphite	
5	Bottom Gasket	Reinforced Exfoliated Graphite	

Certification

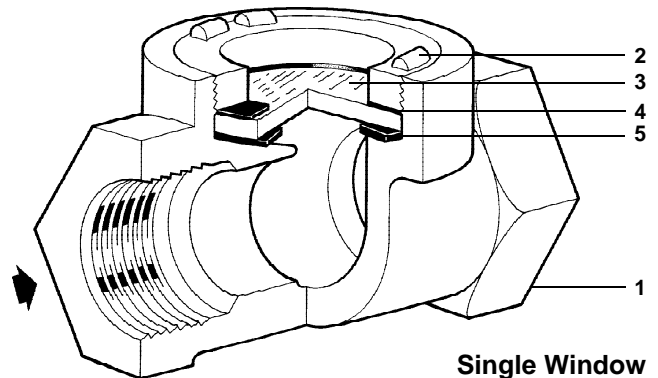
EN 10 204 2.2

Installation

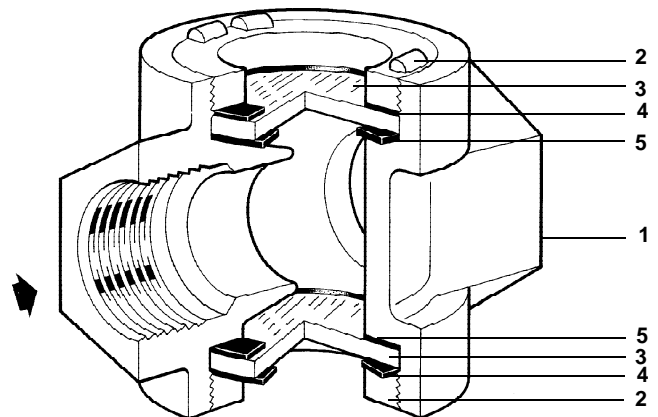
Should be fitted on the outlet of a steam trap, on blast discharge types at least 1 m from the trap.

How to specify

Spirax Sarco double window sight glass with brass body and removable toughened soda lime glass DN25 screwed 1" BSP



Single Window



Double Window

Dimensions (approximate) in millimetres

Single Window

Size	A	B	C	D	E	F	Weight(kg)
3/8", 1/2"	89	16	32	64	50	4.8	0.6
3/4"	89	19	35	64	50	4.8	0.7
1"	87.5	24	38	64	50	4.8	0.9

Double window

1/2"	89	-	32	64	50	4.8	0.9
3/4"	89	-	32	64	50	4.8	0.9
1"	89	-	35	64	50	4.8	1.2
1 1/4"	108	-	51	73	50	4.8	1.9
1 1/2"	108	-	51	73	50	4.8	1.8
2"	114	-	57	76	50	4.8	2.5

Spare parts

The spare parts available are shown in heavy outline. Parts drawn in broken line are not supplied as spares.

AVAILABLE SPARE

Set of Windows and Gaskets	3,4,5
Set of Gaskets	4,5

How to order

Always order spares by using the description given in the column headed "Available Spare"

Example: 1 — set of windows and gaskets for SPIRAX SARCO double window Sight Glass DN25.

How to fit

Unscrew bezel and remove old gaskets and windows.

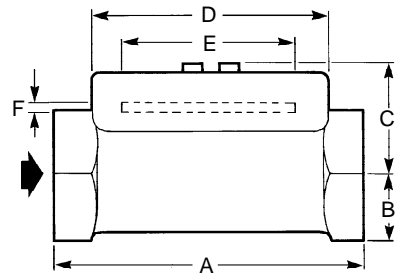
Carefully clean recess.

Refit new gaskets and windows, ensuring that the thick bottom gasket is fitted under the glass window and the thin gasket on top.

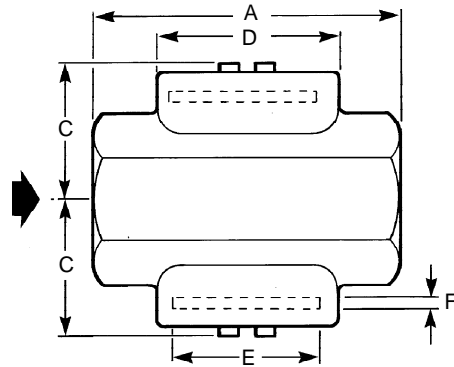
Screw in bezel.

Recommended tightening torque

Item	Nm
2	60-65



Single Window



Double Window

