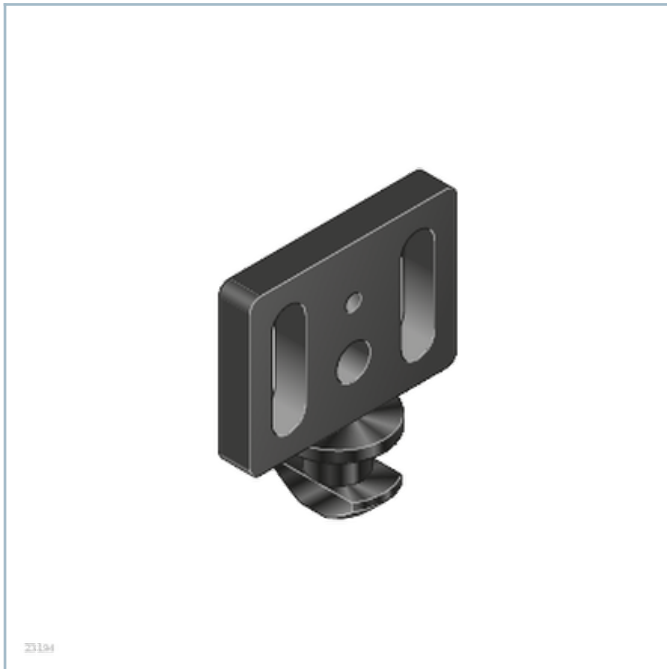
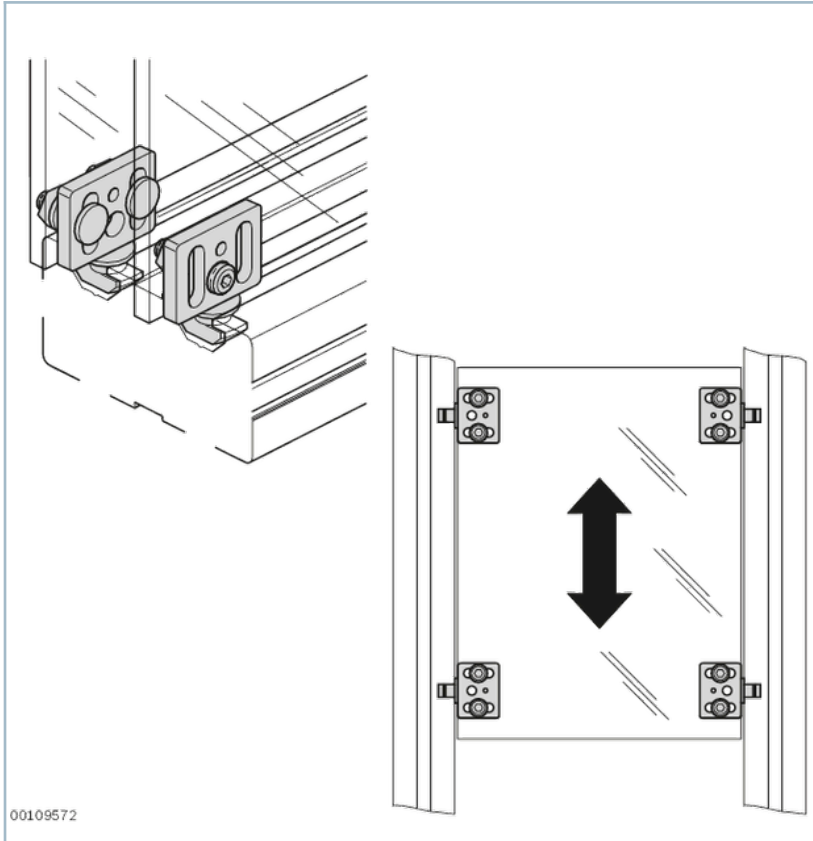


Slider



- For constructing inexpensive sliding and lifting doors
- Good functional reliability

Product description

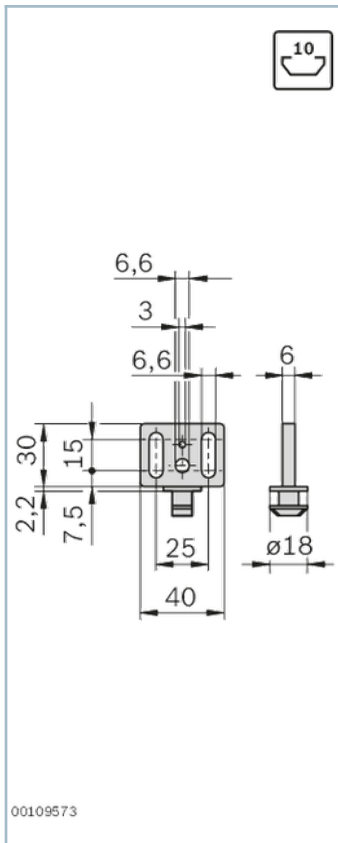


Technical data


No.	Material
3842530303	POM; black

Dimensions

Slider for surface elements



Ordering codes

	Groove		No.
Slider for surface elements	10	10	3842530303