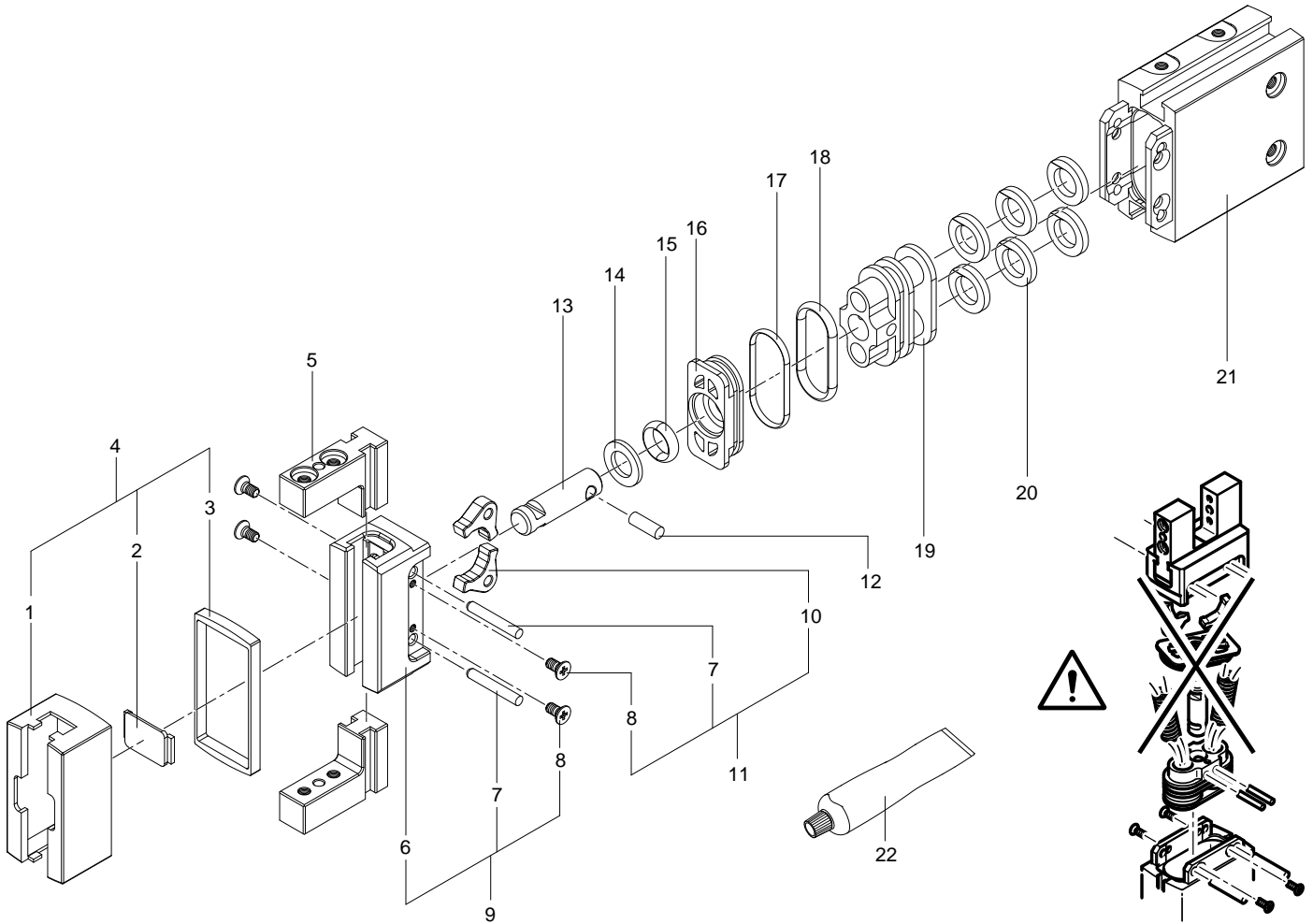


1254040 DHPS-10-A Parallel gripper - Series: All



## 1254040 DHPS-10-A Parallel gripper - Series: All

Pos.	Part no.	Type	Note	Qty.	Unit
A	1563996	DHPS-10-A Set of wearing parts		1	PC
1			Not available separately, see position 4	1	PC
2			Not available separately, see position 4	1	PC
3			Not available separately, see position 4	1	PC
4	1563995	DHPS-10-A Covering		1	PC
5	1563993	DHPS-10-A Gripper jaw		1	PC
6			Not available separately, see position 9	1	PC
7			Not available separately, see position 9+11+998	2	PC
8			Not available separately, see position 9+11+998	4	PC
9	1563994	DHPS-10-A Jaw guide		1	PC
10			Not available separately, see position 11	2	PC
11	1563992	DHPS-10-A Reversing lever		1	PC
12			Not available separately, see position 998	1	PC
13			Not available separately, see position 998	1	PC
14			Not available separately, see position 998	1	PC
15			Not available separately, see position 998+999 Grease using during assembly. See position 22	1	PC
16			Not available separately, see position 998	1	PC
17			Not available separately, see position 998+999 Grease using during assembly. See position 22	1	PC
18			Not available separately, see position 998+999 Grease using during assembly. See position 22	1	PC
19			Not available separately, see position 998	1	PC
20			Not available separately, see position 998	6	PC
21			Not available	1	PC
22	397394	LUB-M1-SILIKONFREI-10ML Lubricating grease		1	PC
99 8	1563991	DHPS-10-A Piston module		1	PC