



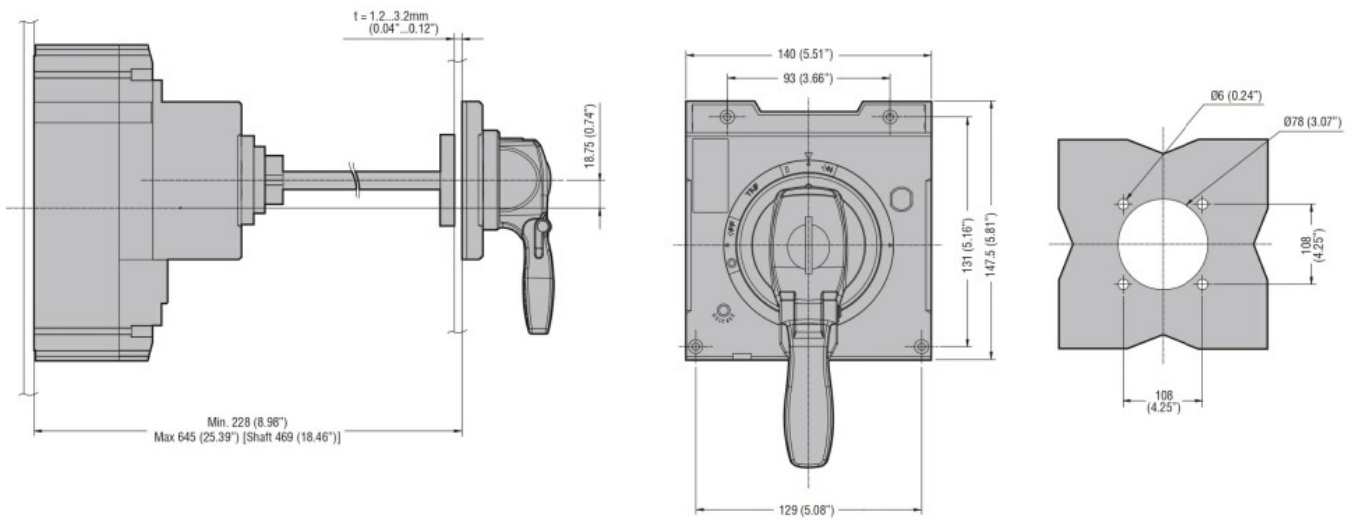
**Mechanical features**

**Weight** g 2200

**Ambient conditions**

**IEC degree of protection** IP65

**Dimensions**



**Certifications and compliance**

**Certificates**

**ETIM classification**

EC000066 - Power contactor, AC switching