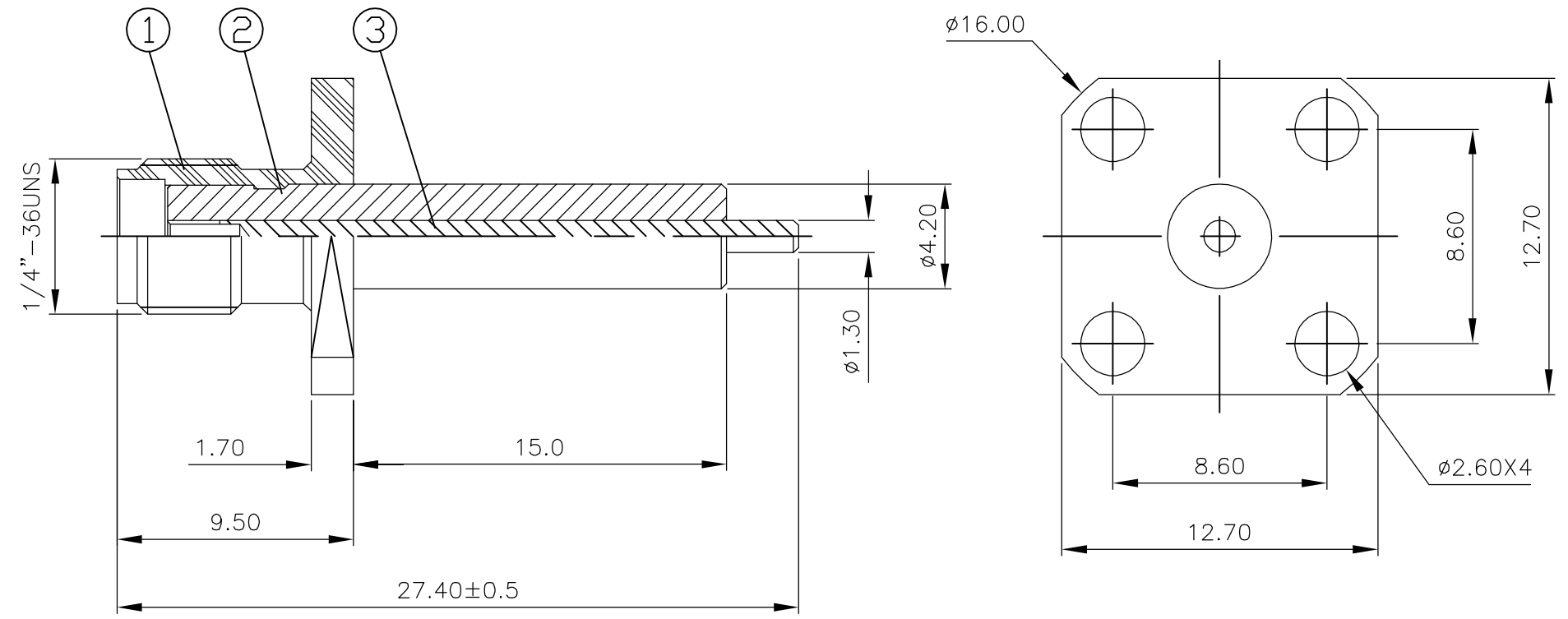


THIS DRAWING IS UNPUBLISHED. RELEASED FOR PUBLICATION APRIL, 2004.
 © COPYRIGHT 2004 BY TYCO ELECTRONICS CORPORATION. ALL RIGHTS RESERVED.

LOC	DIST	REVISIONS					
E	B	P	LTR	DESCRIPTION	DATE	DWN	APVD
		A		EBD0-0035-03	06FEB04	RS	FWK

- NOTES:
- 1 SINGLE PACK IN ACCORDANCE WITH SPEC 107-3275
 - 2 100 TRAY PACK IN ACCORDANCE WITH SPEC 107-3275
 - 3 0.08µm Au PLATING OVER 1.27µm Ni PLATING
 - 4 0.08µm Au PLATING OVER 1.27µm Ni PLATING OVER 0.76µm Cu PLATING
 - 5 0.76µm Au PLATING OVER 1.27µm Ni PLATING OVER 0.76µm Cu PLATING
 - 6 PASSIVATED
 - 7 WHITE BRONZE PLATING
 - 8 FOR TECHNICAL DATA REFER TO YOUR LOCAL TYCO ELECTRONICS SALES OFFICE
 - 9 ALL DIMENSIONS ARE NOMINAL FOR REFERENCE ONLY UNLESS OTHERWISE STATED



1	1	1	1	1	1	1	1	BERYLLIUM COPPER	5	CENTER SOCKET	3
1	1	1	1	1	1	1	1	PTFE		INSULATOR	2
1	1	-	-	-	-	-	-	BRASS	7	BODY	1
-	-	1	1	-	-	-	-	BRASS	4	BODY	1
-	-	-	-	1	1	-	-	STAINLESS STEEL	6	BODY	1
-	-	-	-	-	-	1	1	STAINLESS STEEL	3	BODY	1
4--1	4--0	3--1	3--0	2--1	2--0	1--1	1--0	MATERIAL		DESCRIPTION	ITEM
2	1	2	1	2	1	2	1				
QUANTITY PER ASSY								PARTS LIST			

THIS DRAWING IS A CONTROLLED DOCUMENT.		DWN R.SMITH 06FEB04	Tyco Electronics Corporation Bideford, UK, EX39 4HE	
DIMENSIONS: mm		CHK S.PARLOW 06FEB04		
TOLERANCES UNLESS OTHERWISE SPECIFIED:		APVD F.WHEELER-KING 06FEB04	NAME SMA PANEL SOCKET LAUNCHER, 4 HOLE FLANGE, EXTENDED DIELECTRIC, NON-CAPTIVE	
0 PLC ± - 1 PLC ± - 2 PLC ± - 3 PLC ± - 4 PLC ± - ANGLES ± -		PRODUCT SPEC -	APPLICATION SPEC -	
MATERIAL SEE TABLE		FINISH -	WEIGHT -	RESTRICTED TO -
CUSTOMER DRAWING			SIZE A3	CAGE CODE 00779
			DRAWING NO C-1478968	RESTRICTED TO -
			SCALE 1:1	SHEET 1 OF 1
			REV A	