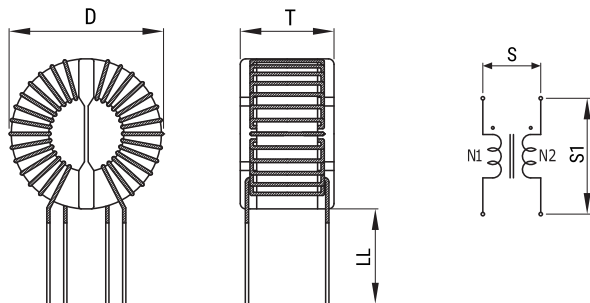


KEMET Part Number: SC-02-30G
(UALSC0230G0000)

KEMET, SC-G/GS, AC Line Filters, Common Mode, 3000 uH



Dimensions

D	17.5mm MAX
T	14mm MAX
LL	15mm +/-2mm
S	8mm NOM

Packaging Specifications

Packaging:	Tray
Packaging Quantity:	1300
Weight:	9 g

General Information

Series:	SC-G/GS
Style:	Through-Hole
RoHS:	Yes
Notes:	Lead Spacing (S/S1) Are For Reference Only.
Miscellaneous:	Temperature Rise Maximum: 40 K

Specifications

Voltage AC:	250 VAC
Inductance:	3 mH (100 kHz)
Current:	2 A
Temperature Range:	-25/+105°C
DC Resistance:	85 mOhms