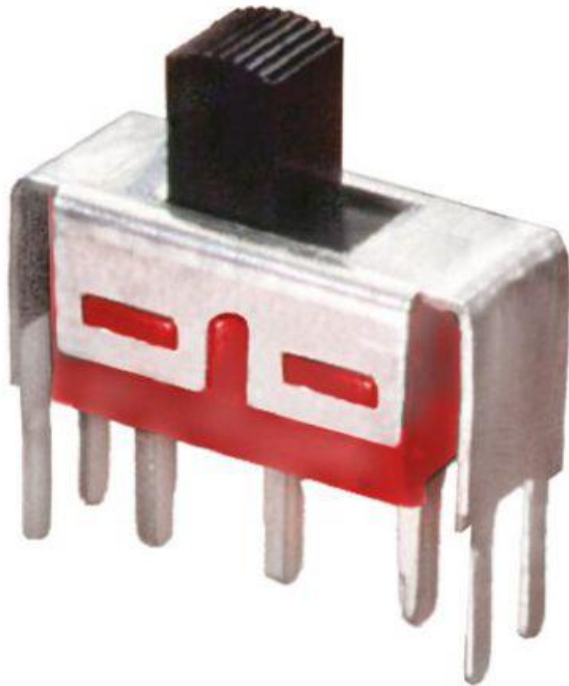


Datasheet

SPDT Through Hole Slide Switch

RS Stock number 734-7315



SPECIFICATIONS

MECHANICAL LIFE: 30,000 make-and-break cycles.

CONTACT RESISTANCE: 10m Ω max. initial @ 2-4VDC
100mA for both silver and gold plated contacts.

INSULATION RESISTANCE: 1,000M Ω min.

DIELECTRIC STRENGTH: 1,000 V RMS@sea level.

OPERATING TEMPERATURE: -30°C to 85°C.

MATERIALS

CASE: Dially phthalate (DAP) (UL94v-0).

ACTUATOR: Nylon, black std.

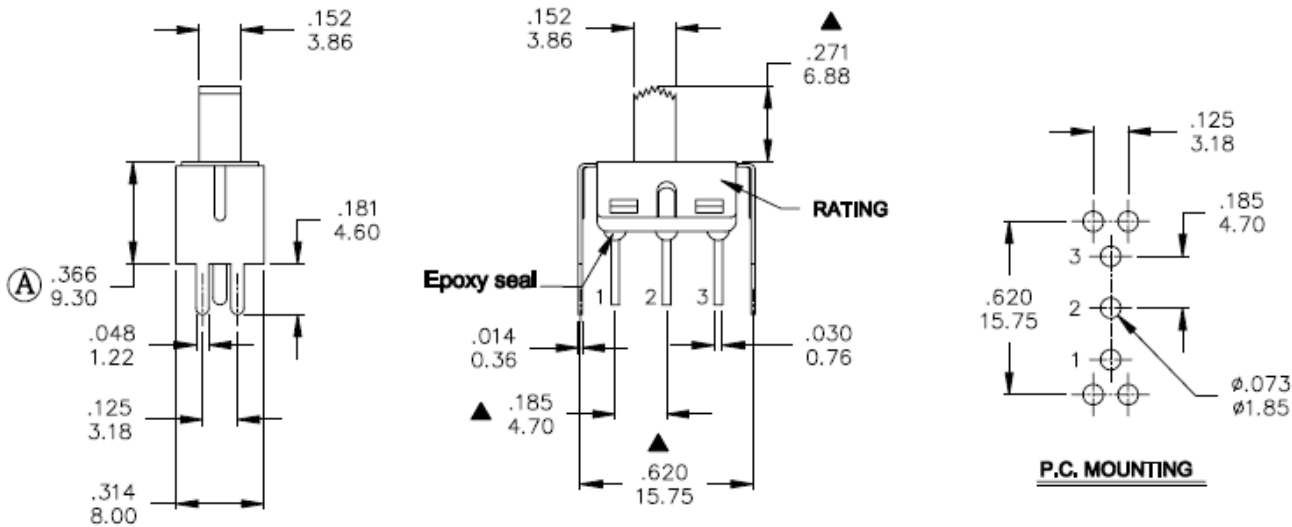
HOUSING: Stainless Steel.

CONTACT: Silver or gold plated.

TERMINAL SEAL: Epoxy.

RoHS: 2002/95/EC

**Dimensions – inch
mm**



Model No.	POS.1	POS.2	POS.3
5MS1	ON	NONE	ON
Term. Comm.	2-1	N/A	2-3
SCHEMATIC			

SWITCH FUNCTION