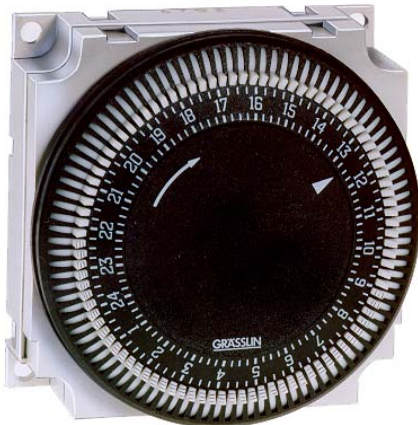


**SPECIFICATION SHEET**

**FM/1 QRTuXX time switch module**

**PRODUCT/ORDER CODE**

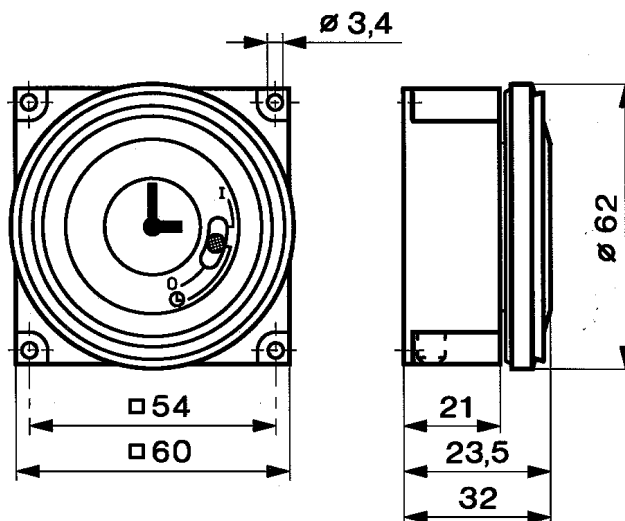
FM/1 QRTu	24 hour dial only
FM/1 QRTuH	24 hour dial + override
FM/1 QRTuZ	24 hour dial + clock hands
FM/1 QRTuZH	24 hour dial + clock hands + override



This product is a quartz stepping-motor driven time switch module. The standard unit has a 24 hour dial. A 7-day variant is available on request. Switching is carried out by setting of tappets within the dial. There are 96 "captive" tappets at 15 minute increments (24 hour dial); 84 tappets at 2 hour increments (7 day dial). The FM/1 is suitable for "sub-panel" mounting. Four fixing holes on 54mm centres are provided within the base of the housing.

**Technical specification:**

Control panel cutout	62.5mm Ø
Weight	75g
AC switching capacity:	
- resistive load	16A 250v AC
- inductive load cos Ø 0.6	8A 250v AC
- incandescent lamp load	135W
- fluorescent or SON lamp load	100W
Minimum switching current	100mA (20v) AC/DC
Contact type	volt-free changeover
Connection	5 x DIN 6.3mm tab terminals
Ambient temperature	-20°C to +85°C
Accuracy	+/- 1.5 sec. / day
Minimum switching time	15 minutes (24 hour dial)
Minimum switching time	2 hours (7 day dial)
Battery back-up	150 hours
Charging time	72 hours



Dimensional details : FM/1 modules