

Datasheet

135 mm Chrome Molybdenum Steel Circlip Pliers

RS Stock number 541-6769



Specification

Material:

Chrome molybdenum steel for pliers, spring steel for automatic return function and vinyl dipping handles.

Finish:

Chemical black finish with polish main surface for pliers, red colour handle.

Hardness:

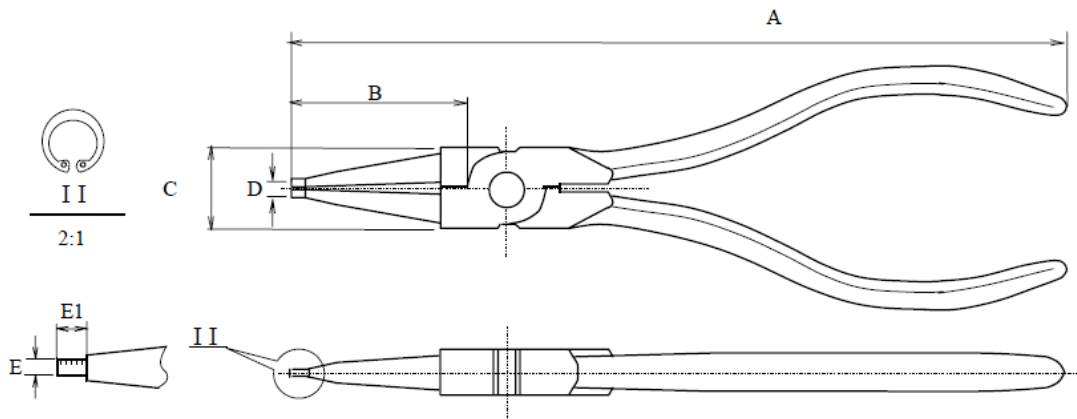
Heat treated to HRC: 45~55 (circlip tip), HRC: 44~48 (handle) and HRC: 30~48(joint)

Contents:

1 pc - 5" (135 mm) internal straight type, large cylindrical tip circlip pliers with automatic return spring and red colour vinyl dipping grip (diameter of tip – 1.3mm, overall length -135mm, jaw length – 31 mm, circlip seal ring capacity – 8~25 mm)

Remarks:

1. dimensions, handle spin, retaining tests, permanent and humidity meet din-standard. (form a type)



Inspection item	Specification	Inspection tools
A mm	133±2	Kaliper
B mm	31+2	Kaliper
C mm	15-1	Kaliper
E mm	1.3±0.3	Kaliper
E1 mm	1.5±0.3	Kaliper
D max	(20.7)	Kaliper