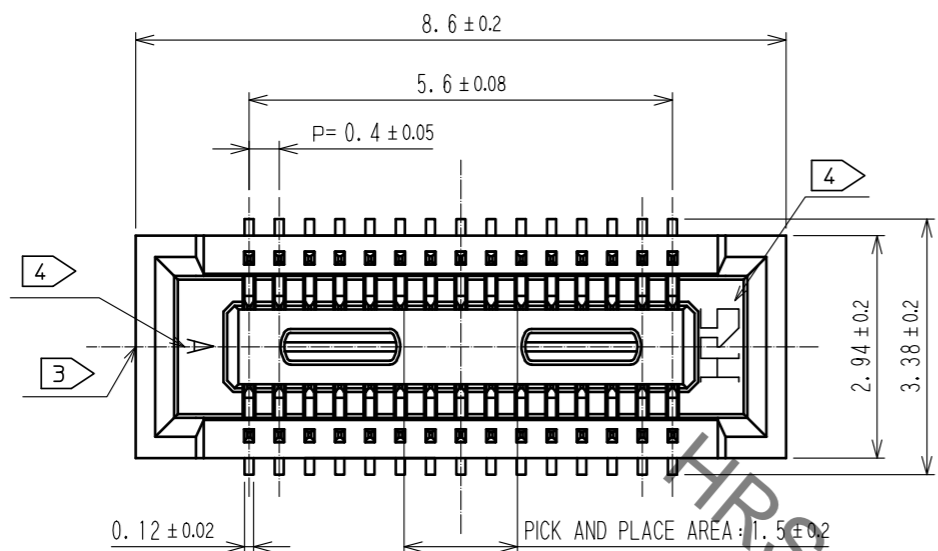
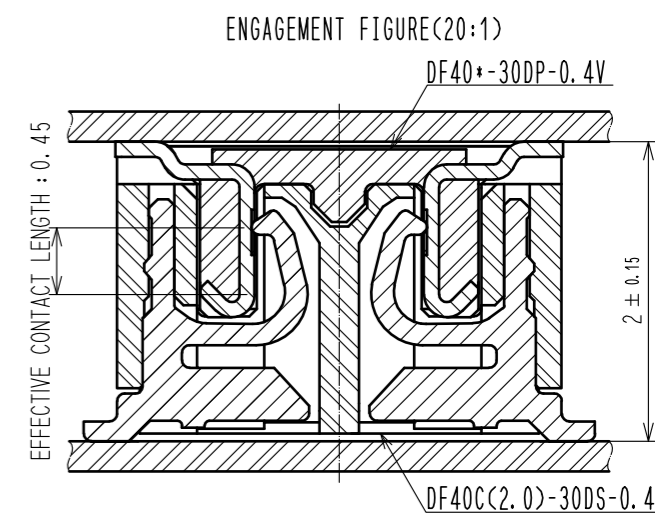
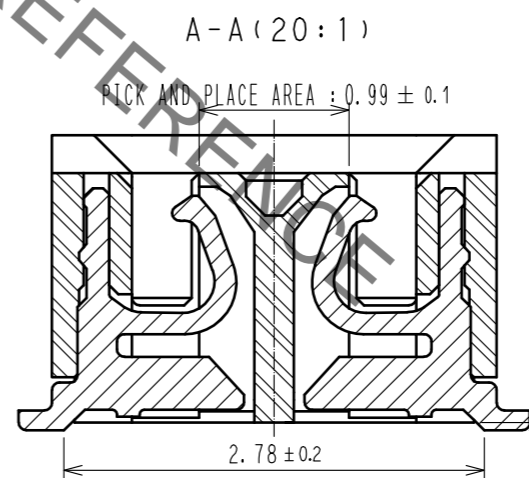
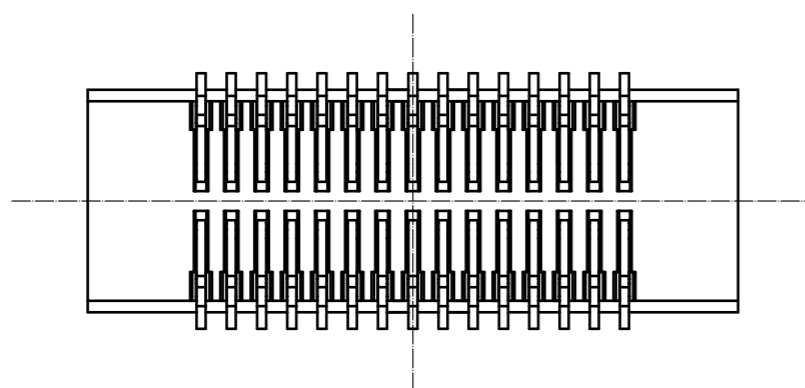
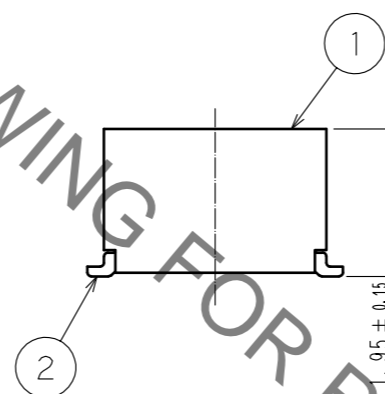
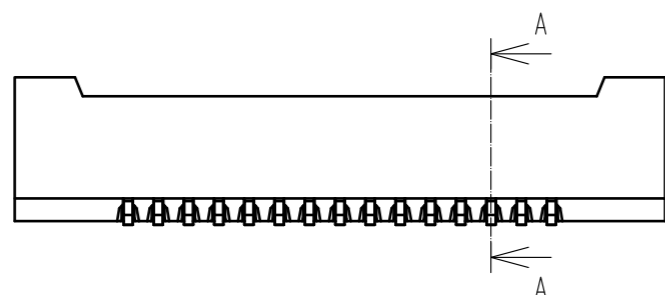
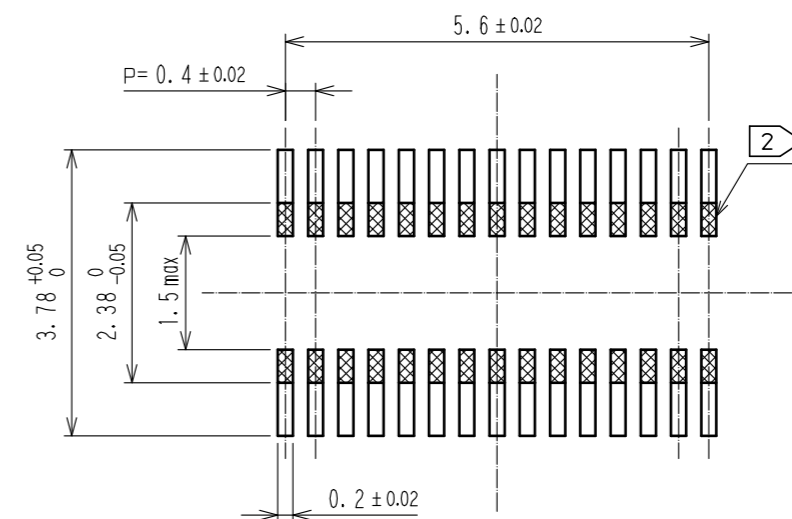


Sep.1.2019 Copyright 2019 HIROSE ELECTRIC CO., LTD. All Rights Reserved.
 In case of consideration for using Automotive equipment / device which demand high reliability, kindly contact our sales window correspondents.



RECOMMENDED PATTERN



NOTE 1. ALL LEADS CO-PLANARITY SHALL BE 0.1 MAX.
 2. IS NO PATTERN AREA OTHER THAN THE SAME CIRCUIT.
 3. GATE POSITION IS POSITIONED IN APPROXIMAL AREA SHOWN.
 4. HRS MARK AND CAV NO. IS INDIKATED IN APPROX POSHITION SHOWN.

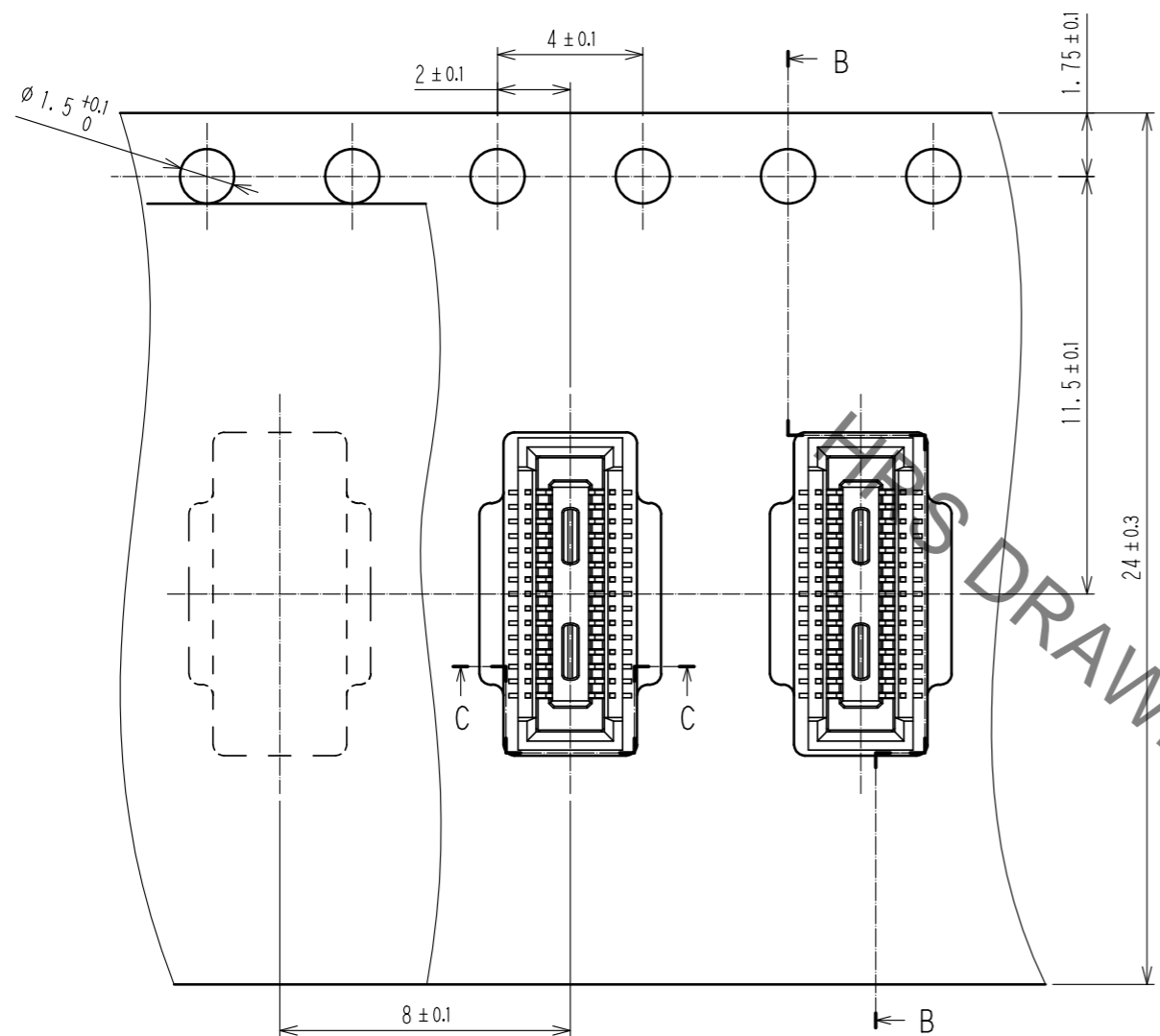
NO.	MATERIAL	FINISH	REMARKS	NO.	MATERIAL	FINISH	REMARKS
2	PHOSPHOR BRONZE	CONTACT AREA:GOLD	0.05 μm MIN	6	PS	CLEAR	REINFORCEMENT COLLAR
		SMT LEAD:GOLD	0.05 μm MIN	5	PS	BLACK	
		UNDERPLATING:NICKEL	1 μm MIN	4	POLYESTER	CLEAR	COVER TAPE
1	LCP	BLACK	UL94V-0	3	PS	CLEAR	EMBOSSED CARRIER TAPE

UNITS	SCALE	COUNT	DESCRIPTION OF REVISIONS	DESIGNED	CHECKED	DATE
mm	10:1	1	APPROVED : MO. ISHIDA 16.10.05			
			CHECKED : TS. MIYAZAKI 16.10.05			
			DESIGNED : SH. HOSODA 16.10.05			
			DRAWN : SN. NUMAZAKI 16.10.04			

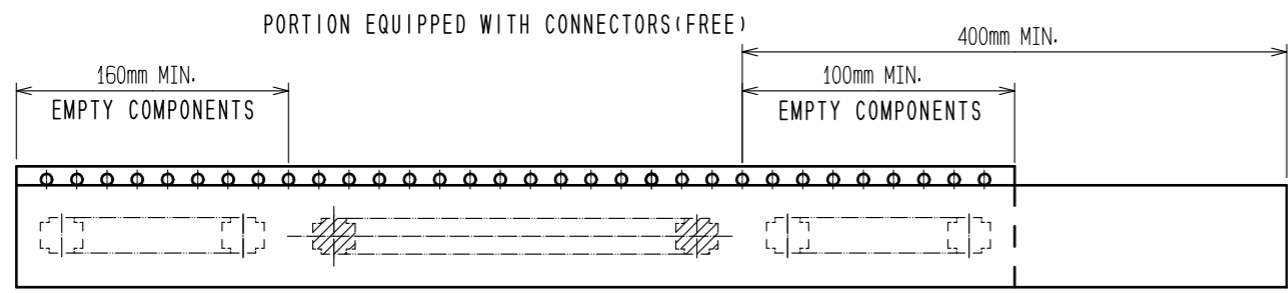
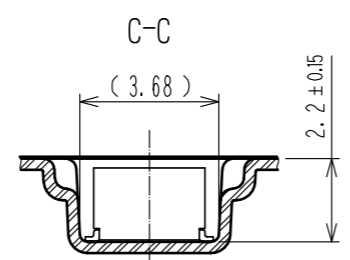
DRAWING NO.	PART NO.	CODE NO.
EDC-315593-58-01	DF40C(2.0)-30DS-0.4V(58)	CL684-4058-5-58

Sep.1.2019 Copyright 2019 HIROSE ELECTRIC CO., LTD. All Rights Reserved.
In case of consideration for using Automotive equipment / device which demand high reliability, kindly contact our sales window correspondents.

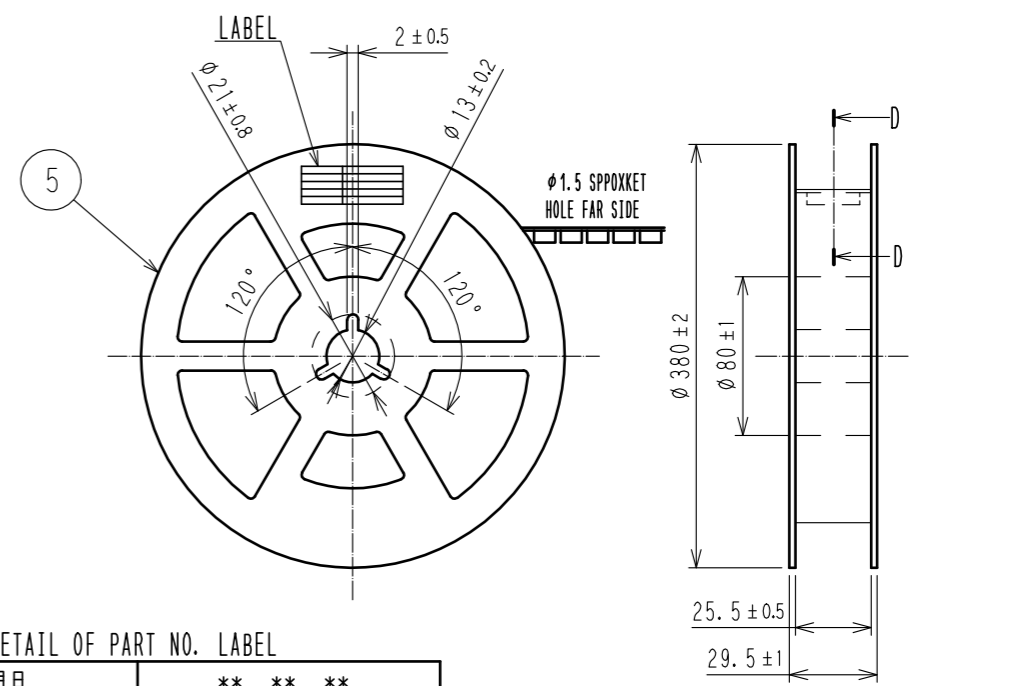
EMBOSED CARRIER TAPE DIMENSIONS (5:1)



DIRECTION OF UNREELING →

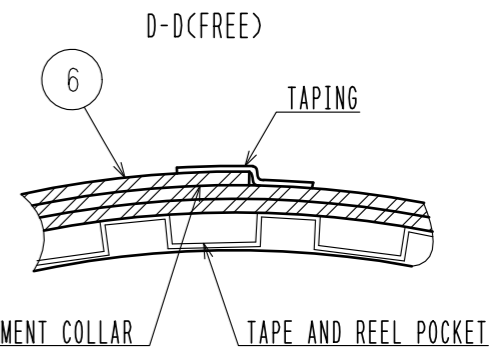


STYLE AND DIMENSION OF REEL (FREE SIZE)



8 > DETAIL OF PART NO. LABEL

製造年月日	** ** *
製品コード	CL684-4058-5-58
製品名	DF40C(2.0)-30DS-0.4V(58)
数量	1000
納入者	ヒロセ電機(株)



- NOTES
- PER REEL 1000 CONNECTORS.
 - THE DIMENSIONS IN PARENTHESES ARE FOR REFERENCE.
 - REFER TO JIS C 0806(PACKING OF COMPONENTS FOR AUTOMATIC HANDLING)
 - DETAIL OF PART No. LABEL IS WRITTEN IN JAPANESE.
PART NO. LABEL DESCRIBES THE FOLLOWING INFORMATION FROM TOP.
Production Date:
Product Code: CL684-4058-5-58
Part Number: DF40C(2.0)-30DS-0.4V(58)
Number of pieces: 1000 pieces
Supplier Name: Hirose Electric Co., Ltd.
 - AFTER PACKAGING, ROLL 2 METERS OF THE REINFORCEMENT COLLAR TO OUTER CIRCUMFERENCE OF TAPE AND REEL POCKET, AND TAPE DOWN AT THE END THE COLLAR.

HRS	図番:	EDC-315593-58-01
	製品名:	DF40C(2.0)-30DS-0.4V(58)
	製品コード:	CL684-4058-5-58