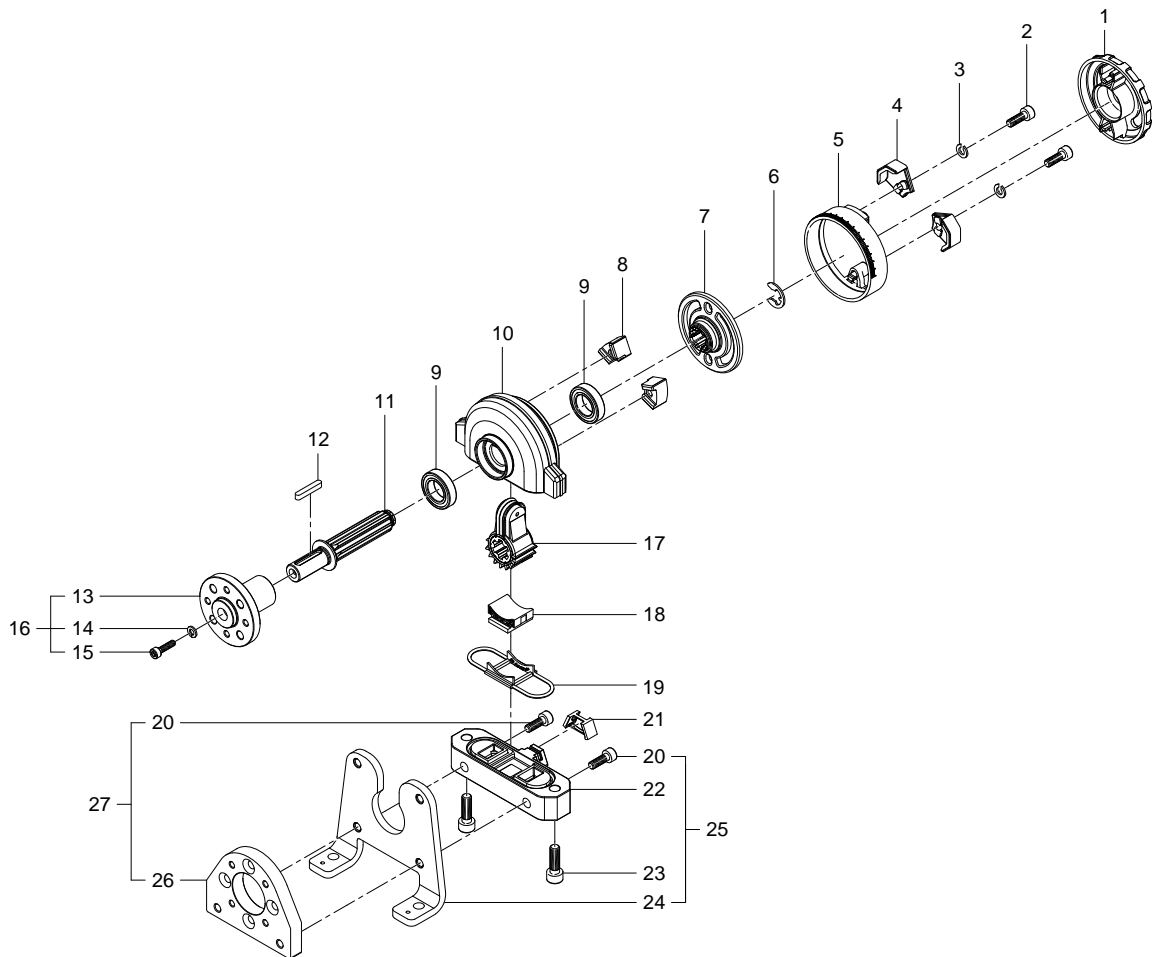


11910 DSR-16-180-P Semi-rotary drive - Series: All



## 11910 DSR-16-180-P Semi-rotary drive - Series: All

Pos.	Part no.	Type	Note	Qty.	Unit
A	383848	DSR/L-16-180-P Set of wearing parts	Spare parts: 17, 19, 21	1	PC
1	241660	DSR-16- Cover cap		1	PC
2	223162	ISO 4762-M4X14-8.8 Socket head screw		2	PC
3	200583	DIN 127-B-4 Split washer		2	PC
4	241657	DSR- 16- 180P Trip cam		2	PC
5	241662	DSR- 16- 180P:BEDRUCKT Cover cap		1	PC
6	233041	DIN 6799-7 Retaining washer		1	PC
7	241698	DSR- 16- 180P Disc		1	PC
8	232539	DSR- 16- 180P:ANSCHLAG1 Stop		2	PC
9	237955	XF+D625-61801-2RS Deep groove ball bearing		2	PC
10		DSR- 16- 180P Housing	Not available Lubricate with 684474 LUB-KC1 during assembly	1	PC
11	232532	DSR- 16- 180P Shaft		1	PC
12	402723	A-3X3X18-1.0503+C Feather key DIN6885		1	PC
13		FWSR- 16 Push-on flange	Not available separately, see position 16	1	PC
14	232957	DIN 127-B-3 Split washer		1	PC
15	206935	ISO 4762-M3X12-8.8 Socket head screw		1	PC
16	13239	FWSR-16 Push-on flange		1	PC
17		DSR-16-180-P Vane module	Not available separately, see position A Lubricate with 684474 LUB-KC1 during assembly	1	PC
18	689279	DSR-16-180-P Intermediate piece		1	PC
19		DSR- 16- 180P Seal	Not available separately, see position A Lubricate with 684474 LUB-KC1 during assembly	1	PC
20	200673	ISO 4762-M5X22-10.9 Socket head screw		2	PC
21		DSR- 16- 180P Cushioning plate	Not available separately, see position A Lubricate with 684474 LUB-KC1 during assembly	1	PC
22		DSR-16:CO2 Sub-base	Not available	1	PC
23	200671	ISO 4762-M5X16-10.9 Socket head screw		2	PC
24		HSR- 16-FW Foot	Not available separately, see position 25	1	PC
25	30924	HSR-16-FW Foot mounting		1	PC
26		FSR- 16 Flange	Not available separately, see position 27	1	PC

Pos.	Part no.	Type	Note	Qty.	Unit
27	13236	FSR-16 Flange mounting		1	PC