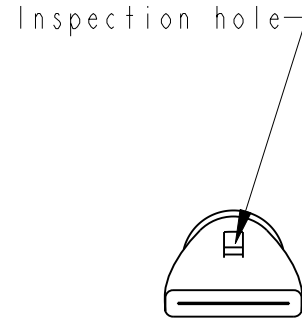
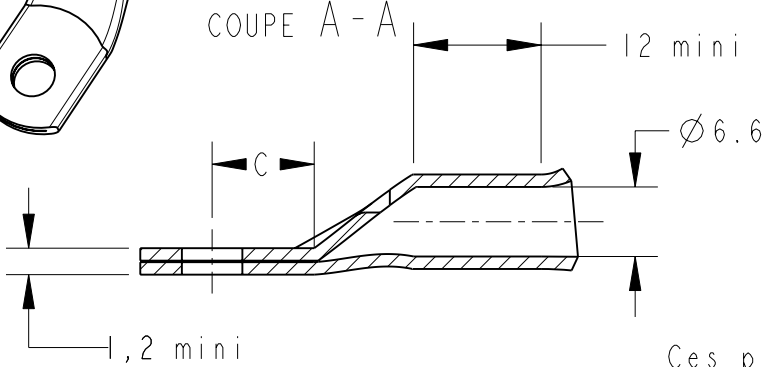
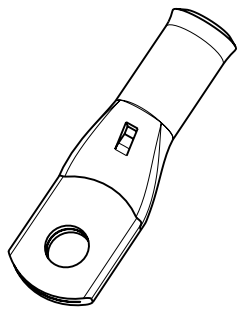
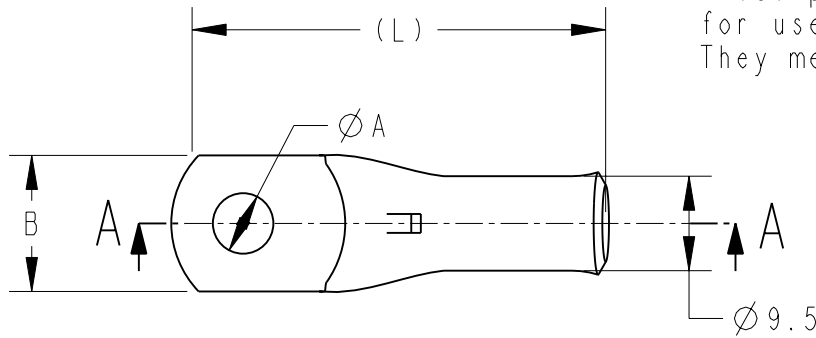


LOC	DIST	REVISIONS					
FH	00	P	LTR REV	DESCRIPTION MODIFICATIONS	DATE	DWN DESS.	APVD APP.
			E1	REVISED PER ECO-11-005150	28MAR2011	RK	HMR



Ces produits ne sont pas prévus pour une utilisation automobile. Ils répondent à la norme NFC 20-130
 These products are not intended for use in the car industry. They meet the standard NFC 20-130



(L)	C	B	ØA	DESCRIPTION	PART NUMBER
35	7	13	5,2	XCT 25-5	710026-1
35	7	13	6,4	XCT 25-6	710026-3
40	9	16	8,3	XCT 25-8	710026-5
44	11	16	10,3	XCT 25-10	710026-7
44	11	16	12,2	XCT 25-12	710026-8

- 1 - MATERIAL = TINNED COPPER
- 2 - Marking in depth: logo-section-hole-Made in France +
- 3 - CABLE SECTION = 3AWG or 25mm²
- 4 - GROOVE E25Cu OR DIE (Punch 17P50+ Die 17M25)

TOLERANCES UNLESS OTHERWISE SPECIFIED: -
 TOLERANCES NON SPECIFIEES: -

DIMENSIONS: mm TOLERANCES UNLESS OTHERWISE SPECIFIED: TOLERANCES NON SPECIFIEES (SUIV NB DE DECIMALES): 0 PLC/DEC: ±0 1 PLC/DEC: ±0 2 PLC/DEC: ±0 3 PLC/DEC: ±0 4 PLC/DEC: ±0 ANGLES ±-	DWN/DESSINE D. LEGUY 15DEC00	MATERIAL MATIERE CUIVRE	FINISH FINITION ETAME
	CHK/VERIFIE L. MAINIER APVD/APPROUVE G. PORCHERAY	TE Connectivity	
PRODUCT SPEC SPEC. PRODUIT APPLICATION SPEC SPEC. APPLICATION	NAME TITRE XCT 25-..	SIZE FORMAT A4	CAGE CODE 00779
WEIGHT MASSE APPROX.	DRAWING NO No PLAN C-710026	RESTRICTED TO RESERVE A -	
CUSTOMER DRAWING /PLAN CLIENT		UNIQUEMENT POUR REFERENCE	SCALE ECHELLE - / -
		SHEET FEUILLE 1	OF DE 1
		REV E1	

20

RELEASED FOR PUBLICATION
LIBRE A LA DIFFUSION

ALL RIGHTS RESERVED.
TOUS DROITS RESERVES.

THIS DRAWING IS UNPUBLISHED.
DIFFUSION RESTREINTE

© COPYRIGHT 20